

LS2C

Immersive auditoriums | Post production | Premium large format

Ribbon driver line source ceiling surround loudspeaker for cinema auditoriums

CHRISTIE®
VIVE AUDIO 

Key features:

- › **Easy to install** – Lighter weight single enclosure for faster, simple set up
- › **Fit and forget** – low reflective, sound permeable grill for a distraction-free experience
- › **Exceptional acoustics** – clear and expansive sound with higher dynamic range
- › **Extended listening comfort** – distortion-free signal reproduction for no listening fatigue through the movie
- › **Delivers emotion in every scene** – greater impact when loud, better detail when quiet
- › **Easy to integrate** – Slim, low profile enclosure for mounting to the ceiling

PLANAR RIBBON DRIVERS

Ultra-low mass high frequency drivers with 10x less distortion

COAXIAL RIBBON DESIGN

world's first coaxial ribbon HF driver for immersive audio



Specifications

Christie LS2C (145-186106-01)

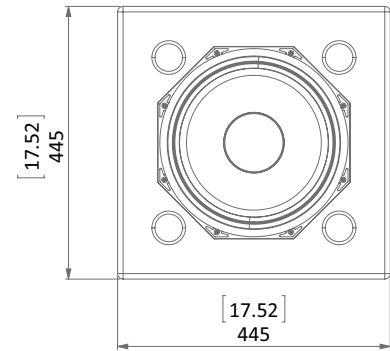
System type	• Coaxial, two-way, passive, ported enclosure
Driver components	• 2" annular ribbon HF driver with Kapton® diaphragm, Neodymium magnets and 1.2" exit coaxially mounted within 12" paper Kevlar composite cone driver
Crossover	• Linear phase, 2-way, passive @ 1.7 kHz, 12 dB/octave
Frequency response ¹	• 80 Hz-20kHz @ -3dB
Effective frequency ¹ range	• 50 Hz-25kHz @ -10dB
Maximum SPL ²	• 122.3 dB (AES) continuous • 124 dB long term • 126.8dB short term
System coverage ³	• 100° spherical cone
Sensitivity ¹ , 1W/1m	• 97.5 dB (200Hz-4kHz)
Power handling capacity ²	• 300W (2 hour continuous) • 450W (IEC long term) • 850W (IEC short term)
Recommended amplifier power	• 450W – 850 W @ 8 ohms
Rated impedance	• 8 ohms
Input connectors	• Screw terminal barrier strip
Enclosure	• Ported alignment • 18mm marine plywood • Heavily damped and braced
Mounting options	• Rear mounted using 4 x M8 points • Side mounted using 2 x M8 points
Accessories (optional)	• Allen Products MultiMount MM-3RDX-18 (111-683209-01) • Allen Products UB-0950 • 18" Safety Cable (003-006320-01) • 72" Safety Cable (003-006321-01)
Dimensions	• (HxWxD) 17.52 x 17.52 x 10.87" (445x 445 x 276 mm)
Net weight	• 31lbs (14kg)
Warranty	• Limited 5-year warranty

¹ Measured at distances of 1m in simulated free field conditions. Sensitivity is calculated based on measured SPL response averaged in 200Hz-4 kHz range.

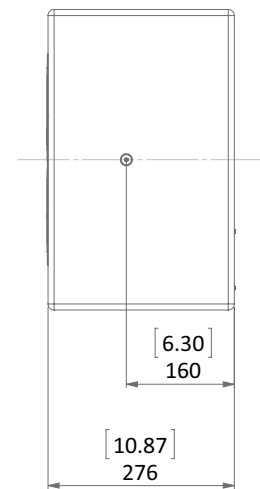
² Continuous power handling tested for 2 hours using IEC noise signal. IEC refers to IEC 60268-5 standard. Max SPL calculated based on sensitivity and power handling.

³ Averaged in 500Hz-10kHz range, at -6dB.

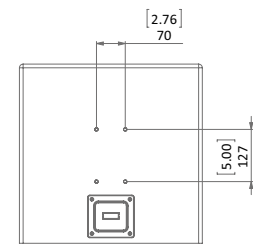
Front view



Side view



Top view



Corporate offices

Christie Digital Systems USA, Inc.
Cypress
ph: 714 236 8610

Christie Digital Systems Canada Inc.
Kitchener
ph: 519 744 8005

Worldwide offices

Australia
ph: +61 (0) 7 3624 4888

Brazil
ph: +55 (11) 2548 4753

China (Beijing)
ph: +86 10 6561 0240

China (Shanghai)
ph: +86 21 6030 0500

Colombia
ph: +57 (318) 477-3179

Eastern Europe
ph: +36 (0)1 47 48 138

France
ph: +33 (0) 1 41 21 44 04

Germany
ph: +49 221 99 512-0

India
ph: +91 (080) 6708 9999

Mexico
ph: +52 55 4744 1790

Singapore
ph: +65 6877 8790

South Korea
ph: +82 2 702 1601

Spain
ph: +34 91 633 9990

United Arab Emirates
ph: +971 (0) 4 503 6800

United Kingdom
ph: +44 (0) 118 977 8000

United States (Arizona)
ph: 602 943 5700

Independent sales consultant offices

Italy
ph: +39 (0) 2 9902 1161

Russia
ph: +7 (495) 930 8961

For the most current specification information, please visit christiedigital.com

Copyright 2020 Christie Digital Systems USA, Inc. All rights reserved. All brand names and product names are trademarks, registered trademarks or tradenames of their respective holders. Performance specifications are typical. Due to constant research, specifications are subject to change without notice.
CINE0125-LS2C-Datasheet-Jan-2020-EN-US



CHRISTIE®