

Christie Velvet - Apex Series

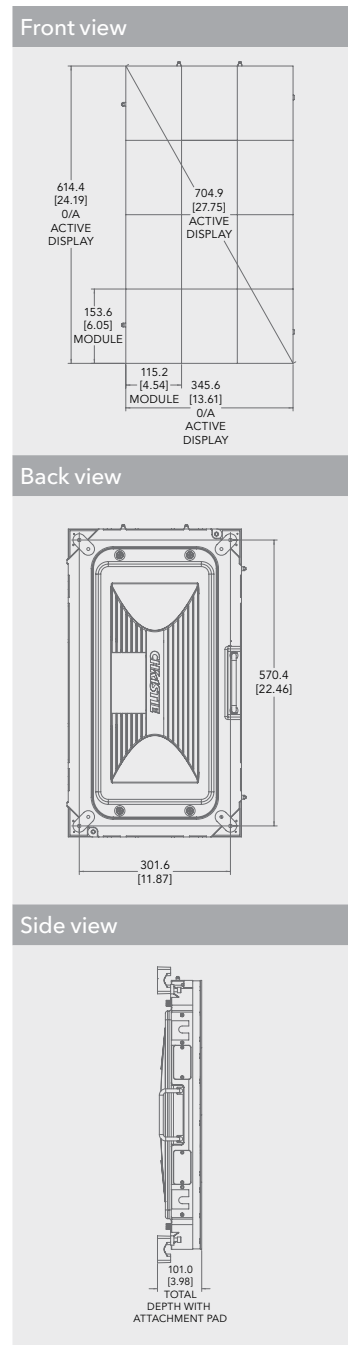
1.2mm indoor LED tiles - portrait

Technical specifications		Christie LED012-AP
Display technology	pixel pitch	• 1.28mm
	pixel configuration	• 3-in-1 (1R1G1B)
	pixel density	• 610,352 pixels/m ²
	maximum calibrated brightness	• 1000 nits (cd/m ²)
	aspect ratio	• 16:9
	contrast ratio (full field)	• 5000:1
	viewing angle	• 160° H, 140° V
	refresh rate	• ≥3200Hz
	scan rate	• 1/30
	color temperature	• 2700-9600K
Signal	display colors	• 4.39 trillion (14-bit)
	inputs	• HDMI (HDCP) • DVI (HDCP) • HDS/DSI
Power	input rating - remote power supply ¹	• 100-240 VAC @ 50-60Hz
	power consumption per cabinet	• 78W typical • 231W maximum
	heat output	• 266 BTU/hr typical • 788 BTU/hr maximum
Environment	operating temperature	• 32-104°F (0-40°C)
	operating humidity	• 10-90% non-condensing
	storage temperature	• 14-122°F (-10-50°C)
	environment	• Indoor
	IP rating	• 30
	LED lifespan (50% brightness)	• 100,000 hrs
	runtime	• 24/7
Physical	tile dimensions (installed)	• (WxHxD): 13.61 x 24.19 x 3.71" (345.6 x 614.4 x 94.3mm)
	tile area	• 2.29 ft ² (0.2123m ²)
	tile resolution	• 270 x 480 pixels
	tile weight	• 19.84lbs (9kg)
	tile array size to achieve 1920 x 1080	• 4 x 4
	cabinet design	• Die-cast aluminum
	orientation	• Portrait
	service access	• All service from front
	module dimensions	• (WxH): 4.54 x 6.05" (115.2 x 153.6mm)
	module resolution	• 90 x 120 pixels
	installation options	• Flat • Concave
	additional required components	• Remote power supply, and controller sold separately
	Certifications - current and pending ²	• UL60950, FCC, CE, EMC, RoHS, RC
Warranty	• Three year parts and labor limited warranty • Contact an authorized Christie representative for full details • Extended warranty option available for a one-time fee at time of purchase	

¹See remote power supply specifications for full details.

²Certain of the listed certifications may be pending and not yet issued. For the current status of the listed certifications, please contact an authorized Christie representative.

Performance specifications are typical. Due to constant research, specifications are subject to change without notice.



United Kingdom
Branch & EMEA
Head Office
ViewPoint
200 Ashville Way
Wokingham
Berkshire, U.K.
RG41 2PL
PH: +44 (0) 118 977 8000

Middle East
Light Industrial Unit (LIU-17)
Nad Al Shibba
Sheikh Mohammed Bin Zayed Road
Dubai Silicon Oasis
PO Box: 293762
Dubai - U.A.E
PH: +971 (0) 4 503 6800

Africa
Unit C3
Northlands Deco Park
New Market Road
Northriding
Randburg
2164
Johannesburg
Gauteng
South Africa
PH: +27 71 335 8667

Other EMEA offices

Germany
Branch Office
PH: +49 2161 566 200

France
Branch Office
PH: +33 (0) 1 41 21 44 04

Eastern Europe
Representative Office
PH: +36 (0)1 47 48 138

Spain
Branch Office
PH: +34 91 633 9990

Italy
Independent Sales Consultant Office
PH: +39 (0) 2 9902 1161

Russia
Independent Sales Consultant Office
PH: +7 (495) 930-8961

For the most current specification information, please visit www.christieemea.com



Copyright 2016 Christie Digital Systems USA, Inc. All rights reserved. All brand names and product names are trademarks, registered trademarks or tradenames of their respective holders. Christie Digital Systems Canada Inc.'s management system is registered to ISO 9001 and ISO 14001. Performance specifications are typical. Due to constant research, specifications are subject to change without notice. Printed in Canada on recycled paper. 4329 Aug 16

CHRISTIE®