

CP2310-RGBe

Small-screen auditoriums | Boutique cinema | Screening rooms

Advanced, yet affordable, DCI compliant cinema projection with RGB laser illumination for screens up to 47 feet wide



Key features:

- › Improved cinema experience – expanded color gamut, greater brightness and contrast
- › Affordable performance – eliminate lamp costs. Higher optical efficiency from laser diodes
- › Future proofed – HFR capable, 3D ready, compatible with 3rd-party IMBs and features AIC support
- › Enhanced Wavelength Diversity (EWD) – suppresses visible speckle using both time and spatial decoherence.
- › Easy to operate – adds UX inspired interface for playback, scheduling and content management
- › Long-lasting light source – delivers stable light output and consistent colors for 30,000 hours



Integrated screen management system enabling seamless content and booth management with built-in automation controller

LAMPTOLASER.COM

Compare lamp and laser illumination technologies



Specifications

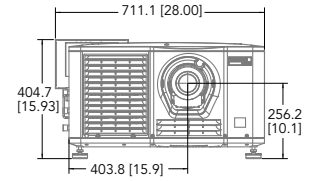
Christie CP2310-RGBe

Brightness	nominal	• Up to 10,000 DCI lumens
	lifetime	• 30,000hrs to 70% brightness (<25°C ambient)
Contrast ratio		• 2000:1 full field on/off
Digital micromirror device		• 0.69" S2K 3-chip DMD DLP Cinema® • 2048 x 1080 pixels (2K)
Color gamut		• >90% of Rec 2020 coverage
Lens mount configuration		• Fully motorized Intelligent Lens System (ILS™)
Lenses		• 1.2 - 1.72 / 1.33 - 2.1 / 1.62 - 2.7 / 2.09 - 3.9
Input line voltage		• Single phase 200-240V
Power Consumption		• 1180W ¹ max
Laser class		• Class 1 – Risk Group 3
Automation		• GPIO/Health Connector: x4 opto-isolated GPI (inputs), x4 relay driven GPO (outputs), x1 "Projector Health" status - relay driven output • "Serial-over-Ethernet" based automation
Weight		• As installed: 137lbs max (62kg)
Dimensions (w/o lens)	size (LxWxH)	• 27.4 x 27.1 x 15.9" (696 x 688 x 404mm)
Accessories		• Christie IMB-S3 ² • NAS-S2 4TB storage • NAS-S3 5.4TB storage • Rack mount stand

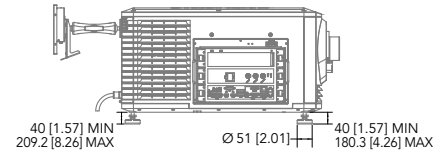
¹ Typical power consumption. May be impacted by environmental conditions.

² Supports 3rd party IMB models from Dolby, GDC and others. Please contact Christie for updated compatibility list.

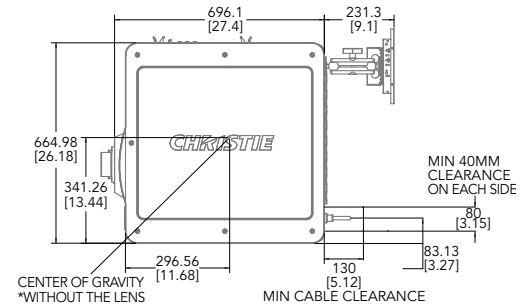
Front view



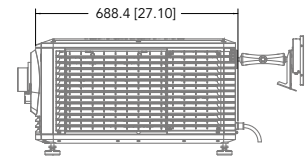
Side view



Top view



Side view



Corporate offices

Christie Digital Systems USA, Inc.
Cypress
PH: +1 714-236-8610

Christie Digital Systems Canada
Inc.
Kitchener
PH: +1 519-744-8005

Worldwide offices

Australia
PH: +61 (0) 7 3624 4888

Brazil
PH: +55 11 3181-2952

China (Beijing)
PH: +86 10 6561 0240

China (Shanghai)
PH: +86 21 6030 0500

China (Shenzhen)
PH: + 86 755 3680 7000

Colombia
PH: +57 (315) 652-9620

Germany
PH: +49 221 99 512-0

India
PH: +91 (080) 6708 9999

Mexico
PH: +52 (55) 4744-1791

Singapore
PH: +65 6877 8737

South Korea
PH: +82 2 702 1601

Spain
PH: +34 (0) 91 633 99 90

United Arab Emirates
PH: +971 (0) 4 503 6800

United Kingdom
PH: +44 (0) 118 977 8000

United States (Arizona)
PH: +1 602-943-5700

United States (Texas)
PH: +1 469-757-4420

For the most current specification information, please visit christiedigital.com

Copyright 2023 Christie Digital Systems USA, Inc. All rights reserved. Our centers of excellence for manufacturing in Kitchener, Ontario, Canada and in Shenzhen, China are ISO 9001:2015 Quality Management System-certified. All brand names and product names are trademarks, registered trademarks or tradenames of their respective holders. "Christie" is a trademark of Christie Digital Systems USA, Inc., registered in the United States of America and certain other countries. DLP® and the DLP logo are registered trademarks of Texas Instruments. Performance specifications are typical. Due to constant research, specifications are subject to change without notice. CD3878-CINE0092-CP2310-RGBe-Datasheet-Sept-23-EN-US

