

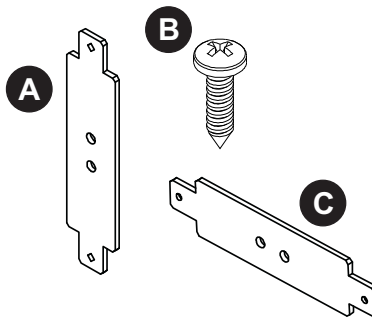
ML10/MP10 Spacer Kit for the FHD552-X

The spacer kit is an optional accessory for the FHD552-X ML10/MP10 Video Wall Mounts which helps to easily align each video wall mount and enable you to quickly complete your installation. For more information on the video wall mount, refer to the [Installing the FHD552-X on the ML10/MP10 LCD Video Wall Mount Instruction Sheet \(P/N: 020-101712-xx\)](#).

Other available resources

- LCD Panel FHD552-X User Manual (P/N: 020-000741-xx)
- Installing the FHD552-X on the ML10/MP10 LCD Video Wall Mount Instruction Sheet (P/N: 020-101712-xx)

Parts List



	Description	Qty
A	Vertical Spacer, with diamond cut holes at each end.	2
B	#10 x 3/4" Wood Screw	8
C	Horizontal Spacer	2

Kits Required

- LCD Spacer Kit 55" ML10 (135-102104-01)
- LCD Spacer Kit 55" MP10 (135-107109-01)

Required Number of Spacer Kits

Number of Vertical Screens	Number of Horizontal Screen									
	1	2	3	4	5	6	7	8	9	10
1	0	1	2	3	4	5	6	7	8	9
2	1	2	4	6	8	10	12	14	16	18
3	2	4	6	9	12	15	18	21	24	27
4	3	6	9	12	16	20	24	28	32	36
5	4	8	12	16	20	25	30	35	40	45
6	5	10	15	20	25	30	36	42	48	54
7	6	12	18	24	30	36	42	49	56	63
8	7	14	21	28	35	42	49	56	64	72
9	8	16	24	32	40	48	56	64	72	81
10	9	18	27	36	45	54	63	72	81	90

Instructions

1. Slide the vertical and horizontal spacers into the tab of the mounted wall plate, as shown below, keeping the spacers flush up against wall plate fasten with two #10 x 3/4 in wood screws, as shown in **F**.

There must be two spacers placed on the same side as the additional wall plate.

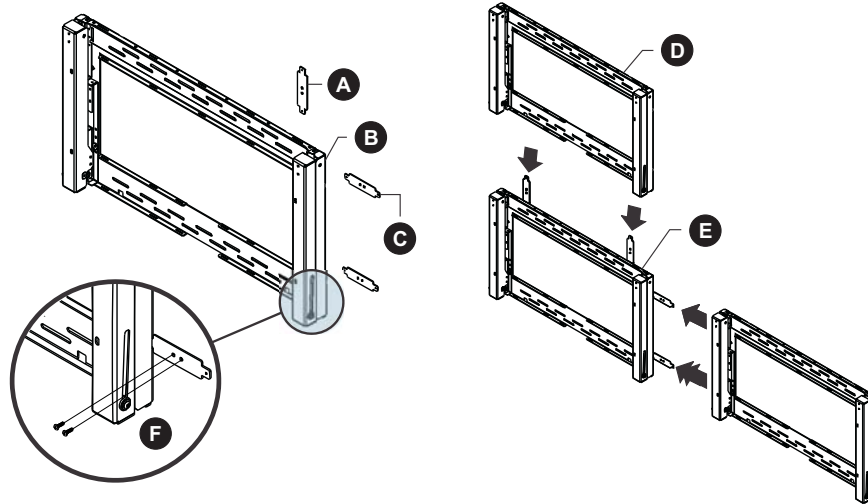
2. Align the tabs of the additional wall plate flush with the spacers.

Follow the instructions in the [Installing the FHD552-X on the ML10/MP10 LCD Video Wall Mount Instruction Sheet \(P/N: 020-101712-xx\)](#) for proper installation of additional wall plates.



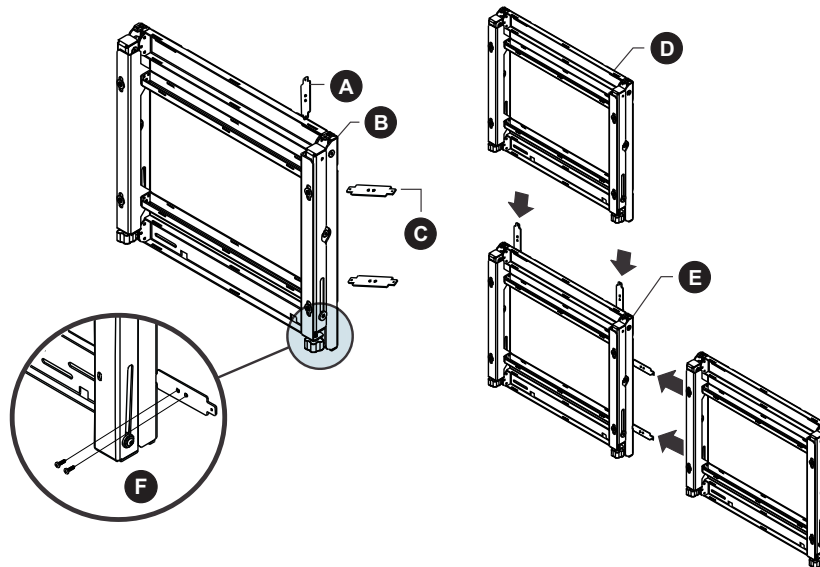
Supporting surface is not shown in the diagrams for clarity.

Landscape orientation



A	Diamond Cut Vertical Spacer	D	Additional Wall Plate
B	Mounted Wall Plate	E	Mounted Wall Plate
C	Round Cut Horizontal Spacer	F	Detail View

Portrait orientation



A	Round Cut Horizontal Spacer	D	Additional Wall Plate
B	Mounted Wall Plate	E	Mounted Wall Plate
C	Diamond Cut Vertical Spacer	F	Detail View

Technical support

North and South America: +1-800-221-8025 or tech-support@christiedigital.com

Europe, Middle East, and Africa: +44 (0) 1189 778111 or techsupport-emea@christiedigital.com

Asia Pacific: tech-asia@christiedigital.com