

Christie Q Series

Auditoriums

Boardrooms

Conference rooms

Education

Events

Government

Health care

Houses of worship

Meeting rooms

Rental staging

Video mapping



Available in black

Best-in-class brightness and
performance in an affordable solution

CHRISTIE[®]

Christie Q Series

When high-brightness, exquisite color reproduction, precise images, powerful performance and a low profile are on your priority list, Christie® Q Series delivers. You can display presentations and videos clearly and vividly with the industry's highest quality dual-lamp 1DLP® projection solution. Christie Q Series offers a range of affordable projection options and ultra-quiet operation for performance you can trust.



Brightness and resolution options

Christie DWX851-Q WXGA - 7500 ANSI lumens	Christie DHD851-Q HD - 7200 ANSI lumens	Christie DWU851-Q WUXGA - 7500 ANSI lumens
Christie DWX951-Q WXGA - 8500 ANSI lumens	Christie DHD951-Q HD - 8200 ANSI lumens	Christie DWU951-Q WUXGA - 8500 ANSI lumens
Christie DXG1051-Q XGA - 10,000 ANSI lumens	Christie DHD1052-Q HD - 8450 ANSI lumens	Christie DWU1052-Q WUXGA - 8900 ANSI lumens

Advanced features for superior image quality

eClarity

Christie eClarity advanced image processing enhances your content by improving sharpness, gloss and shading, perfect for making non high-definition content look like HD. Use eClarity to improve your standard and HD content for a brilliant, true-to-life image reproduction.



▲ Unadjusted image

▲ Adjusted image



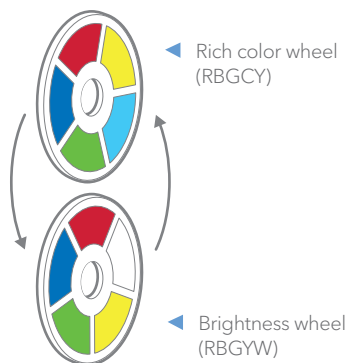
▲ Sharpen

▲ Gloss

▲ Shade

Built-in dual-color wheel

A set of two color wheels are built into the projector and can be selected at a touch of a button. The built-in color wheels allow for easy switching between high-brightness or ultra-rich color reproduction mode, perfect for your presentation needs. In large venues, the high-brightness color wheel gives you maximum output and superior white levels. The ultra-rich color wheel expands the color gamut for incredible reproduction that rivals cinema color standards.



High Dynamic Contrast Range

High Dynamic Contrast Range (HDCR) improves visual contrast to avoid giving content a washed-out effect in environments with a lot of ambient light. HDCR helps by adjusting the dynamic contrast level which will help recapture detail lost by excess ambient light on the screen.



◀ HDCR off



◀ HDCR on

Advanced image control

Motion-adaptive de-interlace delivers improved viewing of video content and fast-moving motion graphics. On-image display of gamma and color balance equalization allows you to manipulate your image configuration in real time.

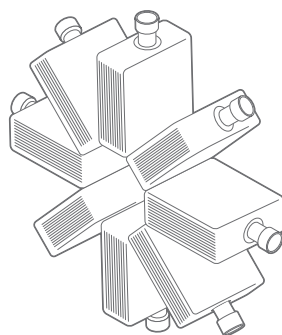


◀ Standard video capture



◀ Digital rapid motion-adaptive de-interlacer

Designed for performance



▲ 360-degree projection



▲ Standard mode



▲ DICOM simulation mode

Blending and warping capabilities

Blending and warping are easy with Christie® Q Series software and the use of off-the-shelf, standard cameras¹. The software and camera option allows for quick and easy edge-blending capabilities. You can also use the software to set up multiple projectors for warping images (advanced geometry correction) or for multi-projector blending to create large, panoramic, seamless displays.

Broad range of lens options

New lens shift capability with our Christie ultra-short throw lenses allows you to install projectors as close as necessary to your projected image without compromising display size.

Multiple screens, or creative projection on multiple areas, are not a problem with up to three memory settings for lens shift, zoom and focus recalls.

Portrait mode and 360-degree projection

Projectors can be used in portrait orientation using existing lamps, reducing your setup time and minimizing extra costs for special lamps. They can also be installed in a 360-degree configuration.

Enhanced lamp options

Dual-lamp design lets you maximize brightness or extend lamp life. Lamps can be used in relay, eco, auto backup and balance mode. Lamp life is up to 2000 hours for standard mode, up to 4000 hours for eco 2-lamp and up to 8000 hours in optional lamp relay modes. The lamps are also designed to be swapped out without shutting down the projector².

Connectivity

HDBaseT provides the latest in intelligent and flexible connectivity, simplifying installation and management by allowing for video content, audio and control to be delivered over low-cost CAT5/6e cabling to HDBaseT-compatible products.

Digital Imaging and Communication in Medical (DICOM) simulation

DICOM simulation mode provides enhanced grey scale levels for medical training³ applications requiring DICOM part 14 specifications.

Built-in LCD information display

The LCD display gives you real-time diagnostic information, assisting in network setup or helping with troubleshooting. Examples of some display options:

Lamp time
Filter hours
Projector usage
IP address

¹ Logitech : HD Pro Webcam C910 / HD Pro Webcam C920; Canon Digital SLR: T1i / T2i / T3 / T3i.

² Please reference manual for activating feature.

³ Simulation mode is for training purposes only, not for medical diagnostics of actual patients.



Variety of lens options to choose from

Our suite of lenses give you the range to install from a 0.38:1 all the way to a 9.2:1 throw ratio⁴.

Lens options⁴

Description	Part number
0.38 ultra-short throw lens	121-127101-01
0.8-1.0 extra short throw zoom	121-118101-01
1.2-1.8/1.1-1.7 short throw zoom	121-119102-01
1.7-2.6/1.6-2.4 standard zoom (WXGA/WUXGA)	121-120104-01
1.7-2.5 standard zoom (XGA)	121-121105-01
2.5-3.8/2.4-3.6 middle throw zoom	121-122106-01
3.6-5.8/3.7-5.9/3.5-5.6 long throw zoom	121-123107-01
5.7-9.1/5.8-9.2/5.5-8.8 extra long throw zoom	121-124108-01



- ▲ The Christie Ultra-short throw (UST) lens allows you to position your projector as close as possible to your screen or display, with a 0.38:1 throw ratio.

Wireless presentation and projector control

Using Christie Q Series projectors and the Christie QuickConnect App you can project photos, documents and websites over Wi-Fi® from your iOS or Android™ devices.



- ▲ Choice between black or white models for most resolutions.

Christie support and service

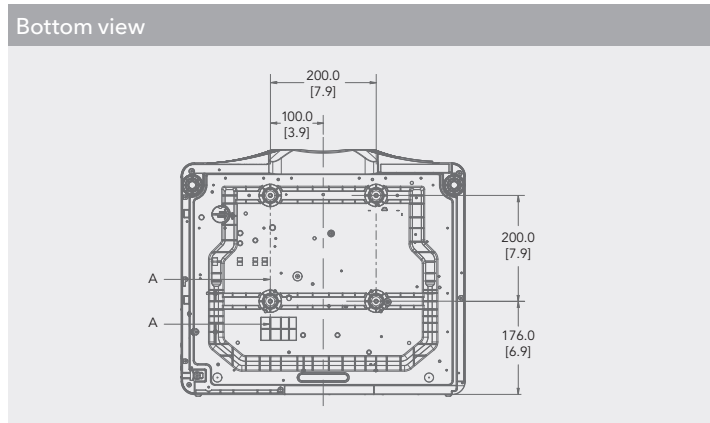
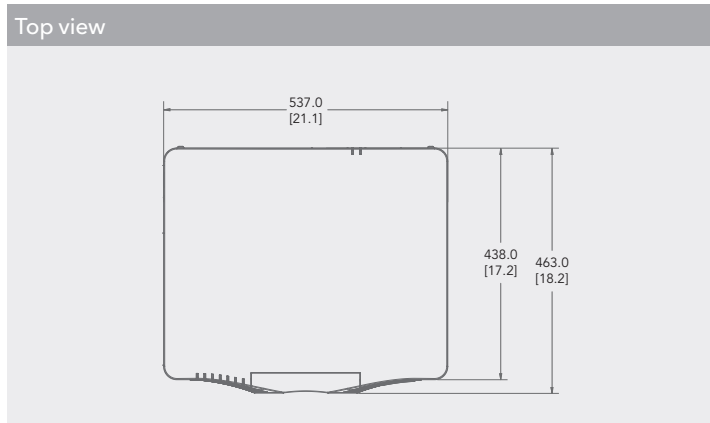
All Christie products are backed by industry-leading warranties, as well as renowned service and support. We ensure our customers receive training, service and technical assistance through our extensive distribution network.

Christie offers local support on five continents for international installations and global deployments, in a variety of applications.

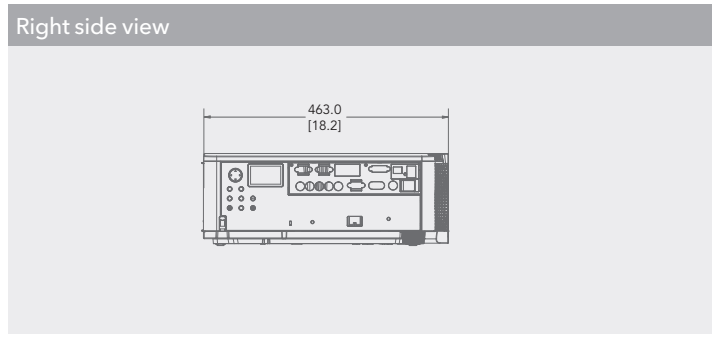
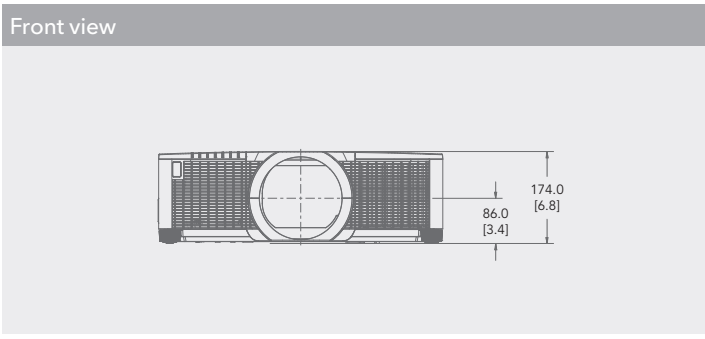


⁴ Throw ratio varies by resolution. See www.christieemea.com for further information.

		Christie DWX851-Q	Christie DHD851-Q	Christie DWU851-Q	Christie DWX951-Q
Image	brightness	• 7500 ANSI lumen - (7900 center lumens)	• 7200 ANSI lumens - (7500 center lumens)	• 7500 ANSI lumens - (7900 center lumens)	• 8500 ANSI lumen - (8900 center lumens)
	contrast	• 2500:1 full on/off			
	uniformity	• ≤90% brightness uniformity			
Display	type	• 1-chip 0.65" DLP		• 1-chip 0.67" DLP	• 1-chip 0.65" DLP
	native resolution	• WXGA (1280 x 800)	• HD (1920 x 1080)	• WUXGA (1920 x 1200)	• WXGA (1280 x 800)
	color wheels	• Built-in color wheel (CW) options: high-brightness CW segments = RGBYW/ultra rich CW segments = RGBYC			
Lamp	type	• 350W UHP x 2			• 370W P-VIP x 2
	typical lifetime	• Standard mode: up to 2000 hrs • Eco mode: up to 4000 hrs • Portrait mode: up to 1000 hrs			• Portrait mode: up to 500 hrs
Inputs	standard	• Computer D-sub 15 pin mini jack x 1 • BNC connector x 1 (composite) • HDMI connector x 2 • DVI-D connector x 1 /RJ-45 x 1 (HDBaseT) • D-sub 9 pin x 1 (RS232c) • RJ-45 x 1 (LAN) • USB type A connector x 1 (Optional Wireless USB or PC-less) • Wired remote control (3.5mm)			
		• 5BNC connector x 1 • BNC connector x 1 (composite)	• 3G-SDI (only available on DHD851-Q)	• 5BNC connector x 1 • BNC connector x 1 (composite)	
	optional	• Optional wireless dongle (USB)			
	signals	• 525i(480i) • 525p(480p) • 625i(576i) • 1125i(1080i@50/60) • 750p(720p@50/60) • 1125p(1080p@50/60)			
	pixel clock	• 27 ~ 150 MHz			
Outputs	standard	• Computer out D-sub 15 pin mini jack x 1 • Wired remote control (3.5mm)			
Control and networking		• RJ-45 x 1 (LAN) • RJ-45 x 1 (HDBaseT) • D-sub 9 pin x 1 (RS232c)			
Lenses		• For further details on lenses, please see www.christieemea.com			
Accessories	standard	• Power cord (US cord, 3m) / (Euro code, 3m) / Power cord (China cord, 3m only for China models) • RGB cable (2m) • Wireless remote control / AA batteries x 2 • Adapter cover • Ferrite core and band x 2 • Cable tie x 2			
	optional	• Replacement lamp (003-005160-01)		• Replacement lamp (003-004774-XX)	
		• Replacement hybrid filter (003-004775-X) • Optional wireless dongle (USB) (121-116109-XX) • Replacement remote			
Enhanced feature sets		• 2 HDMI input • eClarity and HDCR • Built-in ultra-rich color wheel • HDBaseT • Portrait mode capable • Edge blending			
Power requirements	operating voltage	• 110-120 VAC • 220-240 VAC			
	consumption	• AC110-120V, 50/60Hz 860W • AC220-240V, 50/60Hz 810W			• AC110-120V, 50/60Hz 1060W • AC220-240V, 50/60Hz 990W
	operating current	• 8.8A+10% or less at 110-120 VAC • 4.3A+10% or less at 220-240 VAC			• 10.5A+10% or less at 110-120 VAC • 5.2A+10% or less at 220-240 VAC
	dissipation	• 2935 BTU/hr (110-120V) • 2765 BTU/hr (220-240V)			• 3618 BTU/hr (110-120V) • 3379 BTU/hr (220-240V)
Physical specs	size	• (LxWxH) 18.2 x 21.1 x 6.9" (463 x 537 x 174mm) without lens and feet in minimum position			
	shipping size	• (LxWxH) 22.1 x 29.3 x 12.4" (561 x 743 x 315mm) without lens and feet in minimum position			
	weight	• 37.5lbs (17kg)			
	shipping weight	• 49.6lbs (22.5kg)			
Operating environment	noise	• Standard mode: 36dBA • Eco mode: 29dBA			
	operating temperature	• 32-113°F (0-45°C) from sea level to 5249ft (1600m) • 32-104°F (0-40°C) from 5249ft (1600m) to 10,000ft (3048m)			
	altitude	• 0-10,000ft (3048m)			
	humidity	• 10-80% non-condensing			
Regulatory		• This product conforms to the following regulations related to product safety, environmental requirements and electromagnetic compatibility (EMC) • FCC, Part 15, Subpart B, Class A • EN55022/CISPR22 Class A • ICES/NMB003 (A) • EN55024 / CISPR24 • IEC 60950-1 • UL 60950-1 • EN 60950-1 • CAN/CSA C22.2 No. 60950-1 • Directive 2011/65/EU (RoHS)			
Limited warranty		• Three years parts and labor limited warranty • Lamp: 500 hours or one year (whichever comes first) • Contact an authorized Christie representative for full details of our limited warranty			



Christie DHD951-Q	Christie DWU951-Q	Christie DXG1051-Q	Christie DHD1052-Q	Christie DWU1052-Q
<ul style="list-style-type: none"> 8200 ANSI lumens - (8500 center lumens) 	<ul style="list-style-type: none"> 8500 ANSI lumens - (8900 center lumens) 	<ul style="list-style-type: none"> 10,000 ANSI lumens - (10,400 center lumens) 2000:1 full on/off 	<ul style="list-style-type: none"> 8450 ANSI lumens - (9,500 center lumens) 2500:1 full on/off 	<ul style="list-style-type: none"> 8900 ANSI lumens - (10,000 center lumens)
<ul style="list-style-type: none"> HD (1920 x 1080) 	<ul style="list-style-type: none"> 1-chip 0.67" DLP WUXGA (1920 x 1200) 	<ul style="list-style-type: none"> 1-chip 0.7" DLP XGA (1024 x 768) 	<ul style="list-style-type: none"> 1-chip 0.95" DMD HD (1920 x 1080) 430W UHP x 2 	<ul style="list-style-type: none"> 1-chip 0.96" DMD WUXGA (1920 x 1200)
<ul style="list-style-type: none"> Portrait mode: up to 1000 hrs 	<ul style="list-style-type: none"> Portrait mode: up to 500 hrs 		<ul style="list-style-type: none"> Portrait mode: up to 1000 hrs HDMI connector x 2 • 3GSDI x 1 (BNC) DVI-D x 1 (Digital only) • Composite Video x 1 (BNC) HD15 x 1 (RGBHV or component video) USB x 1 (type A) - optional wireless or PC-less • HDBaseT (RJ45 x 1) 	
<ul style="list-style-type: none"> 3G-SDI (only available on DHD951-Q) 	<ul style="list-style-type: none"> 5BNC connector x 1 BNC connector x 1 (composite) 			
			<ul style="list-style-type: none"> Ethernet (10/100) RJ45 with ChristieNET™ connectivity • RS232 in Wired remote control (3.5mm stereo) - Loop out available for daisy chaining • Control via HDBaseT • Built-in backlit keypad 	
<ul style="list-style-type: none"> User's manual CD (safety guide) • Quick setup guide • Network quick setup guide • Operating guide Network guide • Instant stack guide • Technical guide • Software license agreement x 1 • User's manual 				
<ul style="list-style-type: none"> Replacement lamp (003-005053-01) 	<ul style="list-style-type: none"> Replacement lamp (003-004774-XX) 		<ul style="list-style-type: none"> Replacement lamp (003-005583-01) 	
<ul style="list-style-type: none"> Geometric correction • Status monitor display • Motorized zoom, focus and lens shift with memory • PC-less presentation • 3G-SDI (HD models only) 				
			<ul style="list-style-type: none"> AC220-50/60Hz 1070W ± 10% AC110-50/60Hz 1090W ± 10% 	
			<ul style="list-style-type: none"> 10.2A+10% or less at 110-120 VAC 5.6+10% or less at 220-240 VAC 3720 BTU/hr (110-120V) 3652 BTU/hr (220-240V) 	
			<ul style="list-style-type: none"> 38.6lbs (17.5kg) 50.7lbs (23.0kg) 	
<ul style="list-style-type: none"> Directive 2012/19/EU (WEEE) • EU Regulation (EC) No. 1907/2006 (REACH) Certifications marks (check with Christie® for latest update): cULus (Canada & US), CE (EU), CCC (China), EAC (Russia), RCM (Australia and New Zealand), India (BIS), Mexico, Saudi Arabia, South Africa, Ukraine, TER (Kuwait), PSE/VCCI (Japan) 				



United Kingdom
Branch & EMEA
Head Office
ViewPoint
200 Ashville Way
Wokingham
Berkshire, U.K.
RG41 2PL
PH: +44 (0) 118 977 8000

Middle East
Light Industrial Unit (LIU-17)
Nad Al Shibba
Sheikh Mohammed Bin Zayed Road
Dubai Silicon Oasis
PO Box: 293762
Dubai - U.A.E
PH: +971 (0) 4 503 6800

Africa
Unit C3
Northlands Deco Park
New Market Road
Northriding
Randburg
2164
Johannesburg
Gauteng
South Africa
PH: +27 71 335 8667

Other EMEA offices

Germany
Branch Office
PH: +49 2161 566 200

France
Branch Office
PH: +33 (0) 1 41 21 44 04

Eastern Europe
Representative Office
PH: +36 (0)1 47 48 138

Spain
Branch Office
PH: +34 91 633 9990

Italy
Independent Sales Consultant Office
PH: +39 (0) 2 9902 1161

Russia
Independent Sales Consultant Office
PH: +7 (495) 930-8961



For the most current specification information, please visit www.christieemea.com

Copyright 2016 Christie Digital Systems USA, Inc. All rights reserved. All brand names and product names are trademarks, registered trademarks or tradenames of their respective holders. Christie Digital Systems Canada Inc.'s management system is registered to ISO 9001 and ISO 14001. Performance specifications are typical. Due to constant research, specifications are subject to change without notice.
Printed in Canada on recycled paper. 4205 Jan 16

CHRISTIE®