
INFORMATION BULLETIN

Installing the FHD552-X Panel on the ML10/MP10 Mount, F100 Frame, and Pedestal

Applies to the Following Products	Prepared For
<ul style="list-style-type: none">• FHD552-X LCD Panel (135-004105-01)• LCD Mount 40-65" ML10 (135-101103-01)• LCD Mount 40-65" MP10 (135-104106-01)• LCD Spacer Kit 55" ML10 (135-102104-01)• LCD Spacer Kit 55" MP10 (135-107109-01)• LCD Frame F100 (135-105107-01)• LCD Frame Trim 8ft (135-108100-01)• LCD Pedestal P100 (135-106108-01)	Internal and External Service Technicians

The FHD551-X LCD Panel has been replaced by the FHD552-X. The new panel has slightly smaller dimensions, and as a result there are some limitations when using the accessories which were designed for FHD551-X with the newer panel.

Use the spacers in kit 000-105302-xx to add the appropriate spacing between the frame and the mount, and between the mount and the FHD552-X panel.

Limitations when installing FHD552-X with Christie ML10/MP10 mounts and spacers

With the FHD552-X panels, the mounts are positioned slightly too far apart because the new panels are 2.1 mm smaller in height and width. However, each mount has vertical and horizontal adjustability which can be used to accommodate the slight difference in panel size, up to a maximum of 16 panels wide and six panels high.

Because the mounts are much smaller than the panels, there is no aesthetic impact of this limitation. During installation, start with the center tile and work out.

Limitations when installing FHD552-X with Christie F100 frame and P100 pedestal

With the FHD552-X panels, the frames are slightly wider and taller than necessary because the new panels are 2.1 mm smaller in height and width. Similarly, the pedestals are slightly wider than necessary. However, each mount has vertical and horizontal adjustability which can be used to accommodate the slight difference in panel size, up to a maximum of 16 panels wide and six panels high.

For every column, the frames stick out by 1 mm on each side, which may be a concern depending upon the size of the array and the desired finish and wall construction. Also, the seam between the pedestals does not align with the seam between the panels, except in the center. During installation, start with the center tile and work out.

In addition, FHD552-X panels are 1.09 in shallower than the FHD551-X. As a result, use the spacers in kit 000-105302-xx to add the appropriate spacing between the frame and the mount, and between the mount and the FHD552-X panel.

Key differences between FHD551-X and FHD552-X

	FHD551-X (old)	FHD552-X (new)	Difference
Brightness	700 nits	500 nits	200 nits less
Bezel size	5.5 mm	3.5 mm	2.0 mm less
Width	1215.5 mm / 47.85 in	1213.4 mm / 47.78 in	2.1 mm / 0.08 in less
Height	686.3 mm / 27.02 in	684.2 mm / 26.94 in	2.1 mm / 0.08 in less
Depth	108.9 mm / 4.29 in	81.1 mm / 3.19 in	27.8 mm / 1.09 in less
Weight	34 kg / 75 lb	33 kg / 73 lb	1 kg / 2 lb less
Typical power	175W	170W	5W less

Procedures

Install the FHD552-X LCD panel to the wall mount as described in **ML10/MP10 40-65" LCD Video Wall Mount Instruction Sheet (P/N: 020-100726-xx)**, but use the following instructions when applicable.

Install the mount to the F100 frame



Warning! Failure to comply with the following could result in death or serious injury.

- Verify that the combined load of the equipment and all attached hardware and components do not exceed the maximum load, as specified in the [P100 Pedestal and F100 Frame Installation Manual \(P/N: 020-100734-xx\)](#).

1. Make sure all components within the video wall are level, starting with the P100 Pedestal.

If the floor surface is not level, adjust the feet on the pedestal. For details, see [P100 Pedestal and F100 Frame Installation Manual \(020-100734-xx\)](#).

2. Install the F100 Frame onto the pedestal.

See [P100 Pedestal and F100 Frame Installation Manual \(020-100734-xx\)](#).

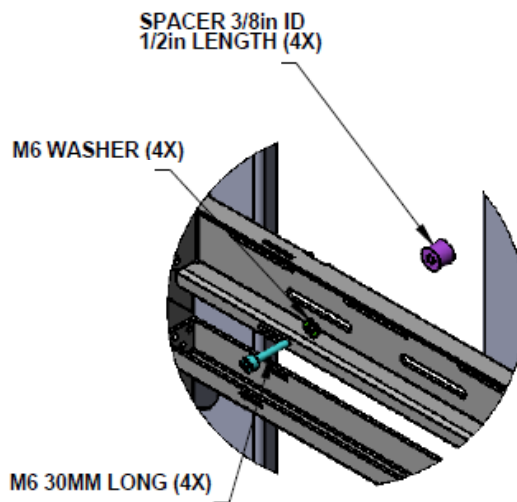


If the F100 Frame is used as a standalone unit, it must be leveled before securing the wall mount.

3. Before installing the wall mount, use a standard level to check alignment on the horizontal and vertical edge of the frame.



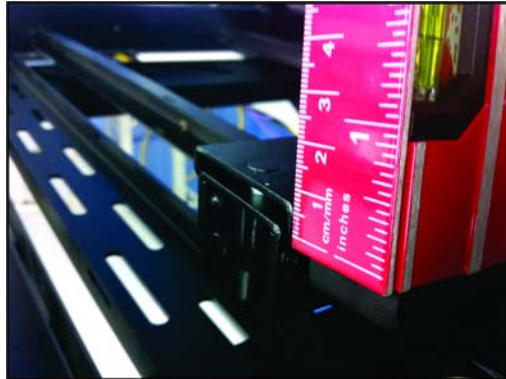
4. Position the wall mount within the center of the frame, aligning it with the mounting holes.
5. At each of the four mounting holes, place a spacer between the wall mount and the frame.



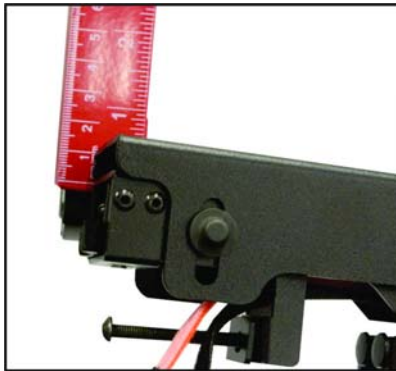
6. Tighten the wall mount to the F100 Frame using the four M6 screws. Never tighten in excess of 80 in-lbs (9 Nm).

The M6 screws are provided with the FHD552-X Spacer Kit (P/N: 000-105302-xx).

7. For good screen planarity within a video wall, adjust the top knob of the adapter bracket to achieve a 5 mm (0.19") gap.



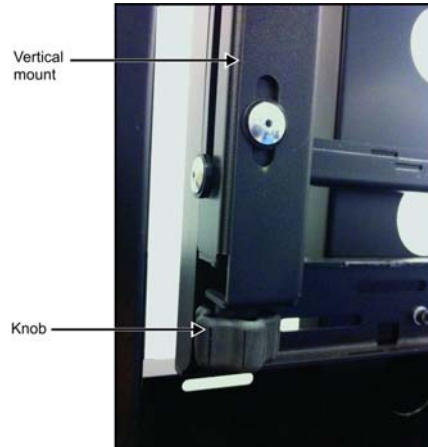
8. Adjust the bottom knob of the adapter bracket to achieve a 10 mm (0.39") gap. If further adjustment is required, leave a 1 mm (0.04") minimum clearance to allow the bracket to be easily released.



9. Mount the adapter bracket and use a level to check whether or not it is flush.



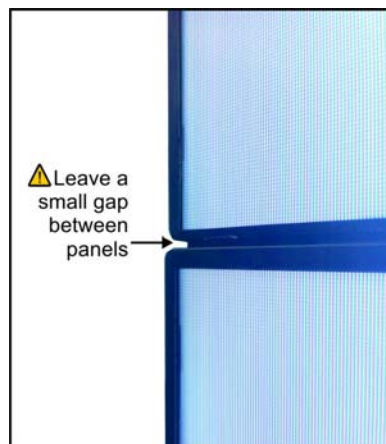
10. Turn the knobs located on the bottom of the mount to adjust the position until it is vertically centered.



11. Check that the mount is level. If necessary fine adjust the vertical position.



12. To avoid damage to the display, leave a minimum 1 mm (0.04") gap so the weight of the panels do not rest on the panels underneath. It may be necessary to re-adjust the vertical position to prevent this.

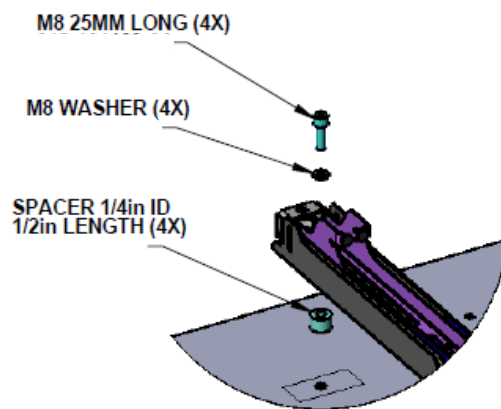


13. Always adjust the X position of panels individually versus pushing an entire row left to right. For example, if you are constructing a 3x3 video wall push the panels individually from the right and left sides, towards the center of the wall.

Attach the adapter brackets to the display

1. At each of the four mounting holes, place a spacer between the wall mount and the FHD552-X panel.
2. Attach the adapter brackets to the back of the display using four M8 x 15 mm screws, as shown below.

The M6 screws are provided with the FHD552-X Spacer Kit (P/N: 000-105302-xx).



Technical support

North and South America: +1-800-221-8025 or tech-support@christiedigital.com

Europe, Middle East, and Africa: +44 (0) 1189 778111 or techsupport-emea@christiedigital.com

Asia Pacific: tech-asia@christiedigital.com