

Installing the Exhaust Duct kit

Sufficient ventilation is required around the Christie CP44xxm-RGBH projector to regulate the temperature of the internal laser module.

The installation site must provide the following:

- For CP4410m-RGBH, an airflow of 120 cubic feet per minute (CFM) at 1 to 1000 meters elevation, and must accommodate a heat load (nominal/maximum) of 2930/10920 BTU/hr
- For CP4415m-RGBH, an airflow of 120 cubic feet per minute (CFM) at 1 to 1000 meters elevation, and must accommodate a heat load (nominal/maximum) of 3620/10920 BTU/hr
- For CP4420m-RGBH, an airflow of 120 cubic feet per minute (CFM) at 1 to 1000 meters elevation, and must accommodate a heat load (nominal/maximum) of 4640/10920 BTU/hr



For each additional 1000 meters above sea level, increase the airflow (CFM) value by 15%. If an extraction duct is not used, the operating temperature range is restricted to 10 to 25°C (50 to 77°F) at a maximum altitude of 3000 meters.

If the site does not meet these requirements, install the Exhaust Duct kit. The Exhaust Duct kit (P/N: 153-147103-XX) is an optional accessory, providing an interface between the air exhaust on the projector and the ventilation system at the facility. This helps minimize room heat load during normal operation.

Affected products

The following products are affected.

- CP4410m-RGBH (P/N: 153-038102-XX/153-042107-XX)
- CP4415m-RGBH (P/N: 153-035109-XX/153-043108-XX)
- CP4420m-RGBH (P/N: 153-036100-XX/153-044109-XX)

Required component

The following component is required to complete the replacement.

- Exhaust Duct kit (P/N: 153-147103-XX)

Required tool

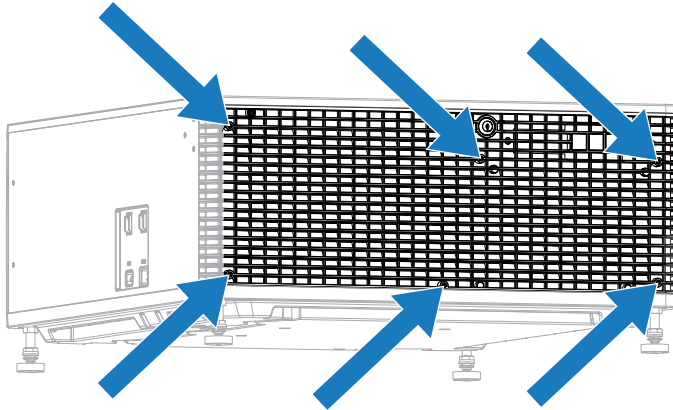
Before servicing, make sure the following tool is available (provided in the projector's toolbox).

- 3 mm hex screwdriver

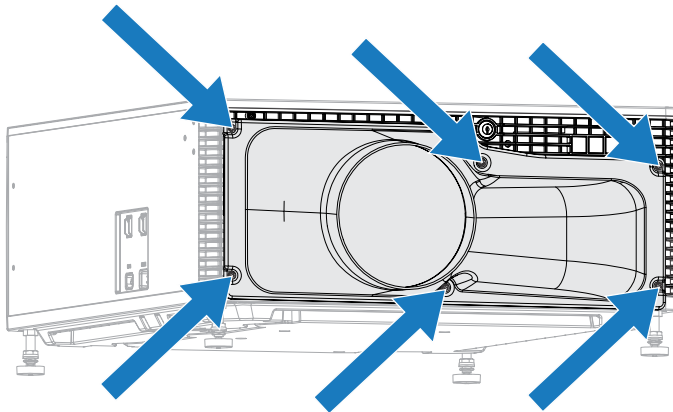
Installing the exhaust duct

Complete the following procedure to install the exhaust duct.

1. Position the exhaust duct on the rear cover, aligning it with the screw holes on the cover.
Screw hole locations on the rear cover:



2. Tighten the six screws.



Technical support

Technical support for Christie Cinema products is available at:

- Support.cinema@christiedigital.com
- +1-877-334-4267