

Installing the light engine handle on Series II projectors

This document provides instructions for installing the new light engine handle on CP2220, CP2230, CP4220, and CP4230 projector models.

New light engine handles are required as the adhesive securing the original light engine handles may debond over time.

Before removing the light engine from the projector, a new light engine handle installation is required in order to ship the light engine to Christie.



The illustrations in this document are for representation only and may not depict your model exactly.

Affected products

The following products are affected:

- CP2220
- CP2230
- CP4220
- CP4230

Required components

The following components are required:

- For CP2220 and CP2230—2K light engine handle (P/N: 003-007775-XX)
- For CP4420 and CP4430—4K light engine handle (P/N: 003-007776-XX)

Installing the handle on the 2K light engine

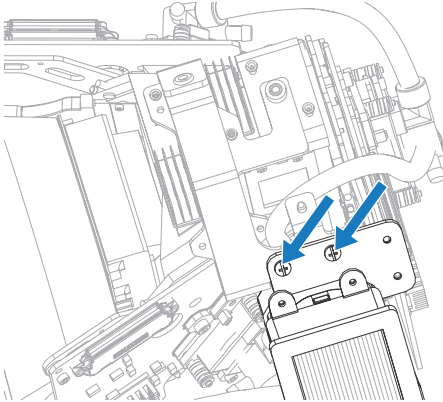
Follow these steps to install the new handle on the 2K light engine.

1. Access the light engine using the service guide for your model.

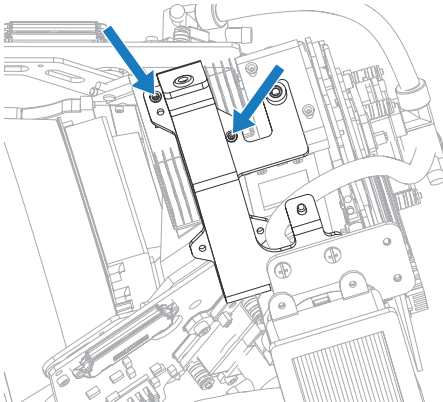


Do not remove the light engine from the projector.

2. Remove the two screws on the laminar airflow device (LAD) housing.



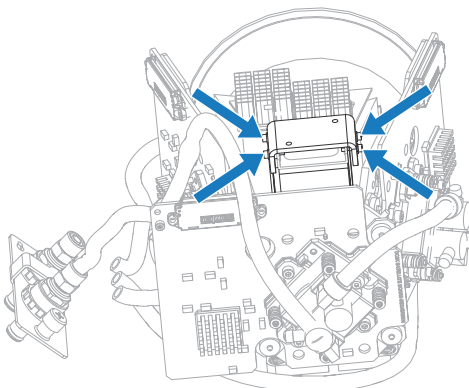
3. Remove the two screws on the original light engine handle.



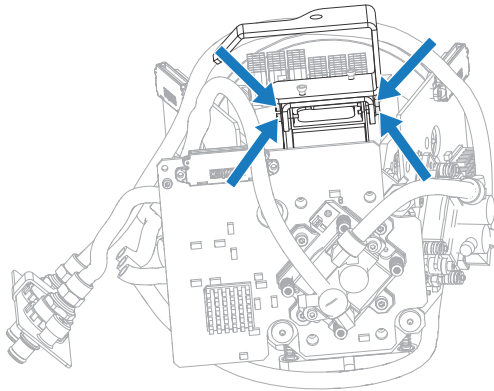
4. Remove the four screws on the bracket, using a 2 mm Allen key.



Some force may be required to break the original glue seal.



5. Align the new light engine handle in place.
6. Install the four screws provided in the kit (P/N: 003-007775-XX).



7. Re-install the original light engine handle.
8. Re-install the LAD housing.
9. If sending the light engine to Christie, use the following procedure:
 - a) Remove the light engine.
Follow the instructions in the service guide for your model.
 - b) Pack the light engine for transportation.
Refer to the *Packing the Light Engine instruction sheet (P/N:020-102486-XX)* or *包装光引擎 (P/N:020-103580-XX)*.

Installing the handle on the 4K light engine

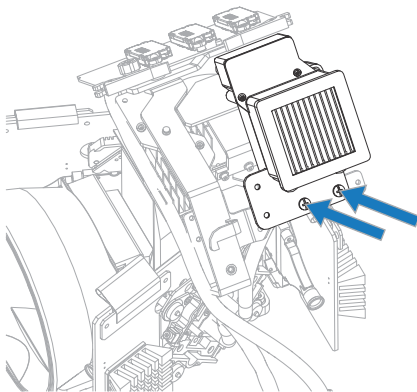
Follow these steps to install the new handle on the 4K light engine.

1. Access the light engine using the service guide for your model.



Do not remove the light engine from the projector.

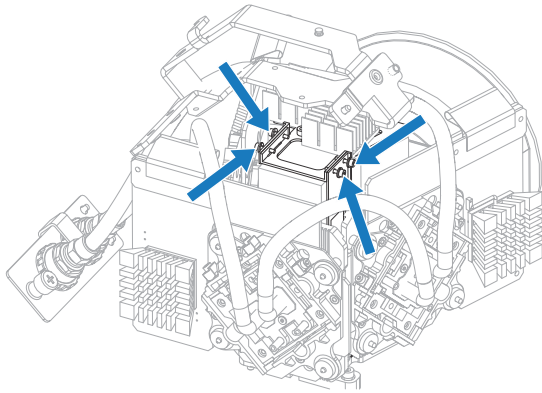
2. Remove the two screws on the laminar airflow device (LAD) housing.



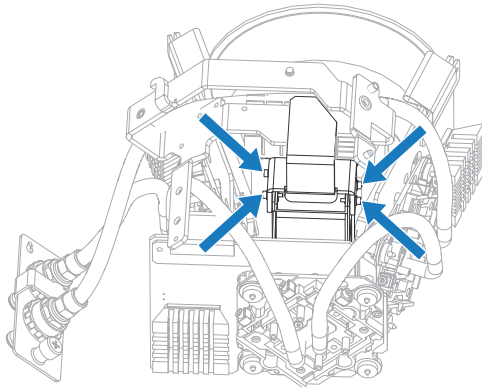
3. Remove the four screws on the bracket, using a 2 mm Allen key.



Some force may be required to break the original glue seal.



4. Align the new light engine handle in place.
5. Install the four screws provided in the kit (P/N: 003-007776-XX).



6. Re-install the LAD housing.
7. If sending the light engine to Christie, use the following procedure:
 - a) Remove the light engine.
Follow the instructions in the service guide for your model.
 - b) Pack the light engine for transportation.
Refer to the *Packing the Light Engine instruction sheet* (P/N:020-102486-XX) or 包装光引擎 (P/N:020-103580-XX).

Technical support

Technical support for Christie Cinema products is available at:

- Support.cinema@christiedigital.com
- +1-877-334-4267