

# Installing the GS UST 0.37-0.4:1 lens

When using the GS UST 0.37-0.4:1 lens, the GS UST 0.37-0.4:1 adapter must be used to stabilize the lens when used with GS-Series projectors.

Due to the weight of the GS UST 0.37-0.4:1 (ultra short throw) lens, it must always be used with the adapter. Follow the instructions in this document to install the lens support bracket for the GS UST lens with GS-Series projectors.

## Affected products

The following products are affected:

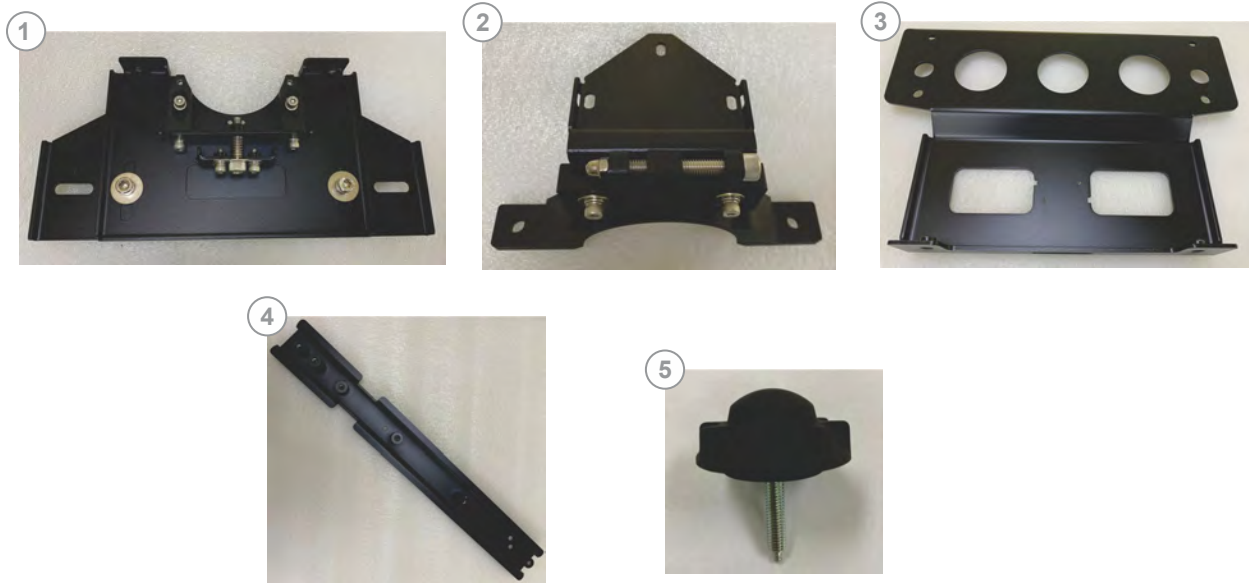
- Christie DWU880 (A)-GS
- Christie DWU1100(A)-GS
- Christie DWU1400(A)-GS

## Required components

The following components are required to complete the upgrade.

Lens Support kit (P/N: 900-300388-01) includes:

- GS UST 0.37-0.4:1 lens (P/N: 140-153100-XX)
- GS UST 0.37-0.4:1 ultra short throw (UST) lens adapter plate (P/N: 140-156103-XX). Quantity 1 piece.
- Screw socket head W/SF M4 x 10. Quantity 4 pieces.
- Screw socket head W/SF M6 x 12. Quantity 6 pieces.
- Screw socket head M6 x 22. Quantity 10 pieces.
- Spring washer M6. Quantity 10 pieces.
- Washer 19 x 6.5 x 1.3 Ni. Quantity 4 pieces.
- Washer 13 X 6.2 x 1.0. Quantity 8 pieces.



1	Support bracket
2	Top support bracket
3	Support base
4	Support beam
5	Rubber foot

## Required tools

The following tools are required for installing the lens support.

- 3 mm hex key
- 5 mm hex key

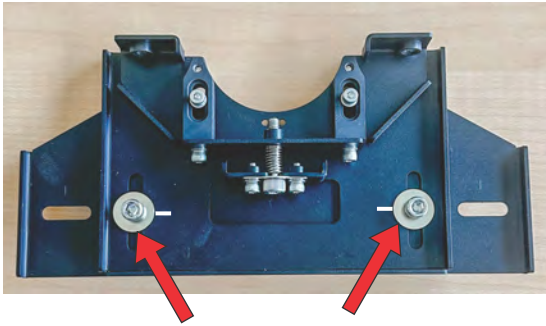
## Installing the support bracket

To provide additional support for the GS ultra short throw lens ( GS UST), install the support bracket.



If you have purchased a new projector with the GS UST lens, do not perform a lens calibration.

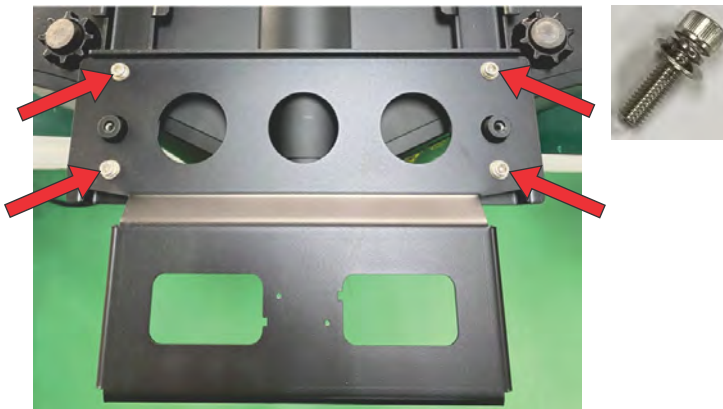
1. Power on the projector.
2. To perform a lens calibration, select **Menu > Configuration > Lens Settings > Lens Calibration**.
3. Power off the projector.
4. Remove the lens, if installed.
5. Before mounting the bracket, align the mark lines as shown below.



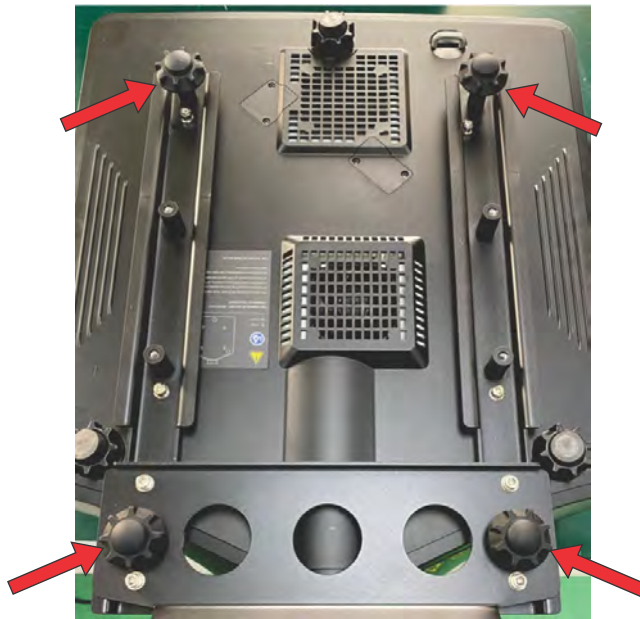
6. Keep the two screws approximately one to two turns from fully tighten.
7. Flip the projector onto its top side.
8. Secure the two support beams to the projector with four M6x12 screws.



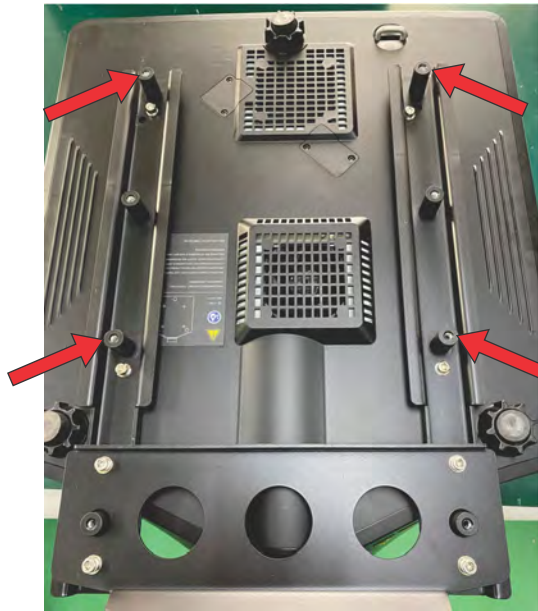
9. Secure the support base on the support beams with four M6 screws, lock washers, and washers.



10. Select the feet installation configuration.
  - Feet installation for table top:



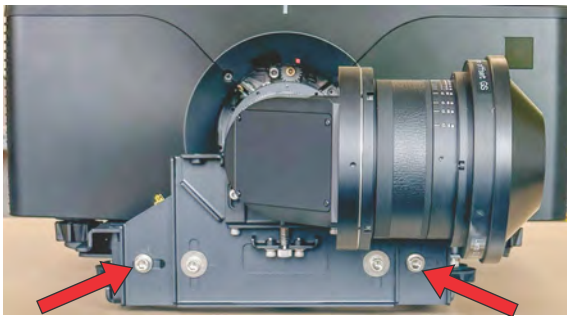
- Feet installation for ceiling mount or a system frame:



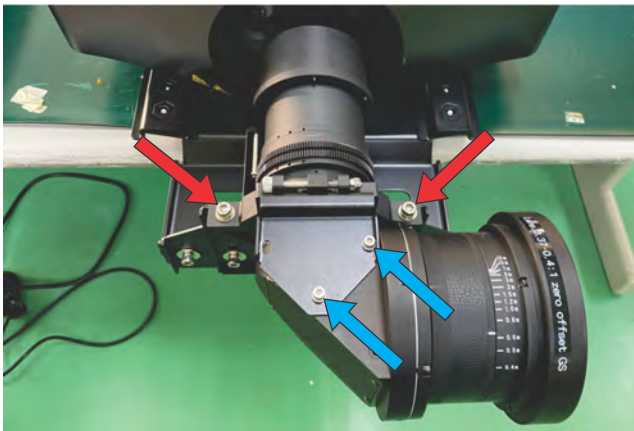
11. Flip the projector back on its bottom side.
12. Install the GS UST lens into the projector.



13. Install the support bracket onto the support base.
14. Fasten the two M6 screws and washers.  
Do not tighten the screws fully.



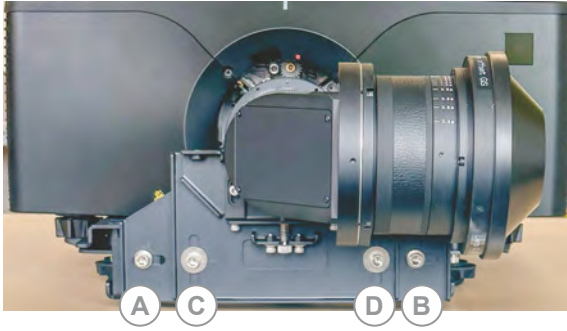
15. Shift the support bracket to fit the GS UST lens neck.
16. Install the top support bracket over the GS UST lens neck.
17. Fasten the two M6 screw, and washers (shown by the red arrows in the image in step 19).
18. Fasten the two M4 screw, and washers (shown by the blue arrows in the image below).



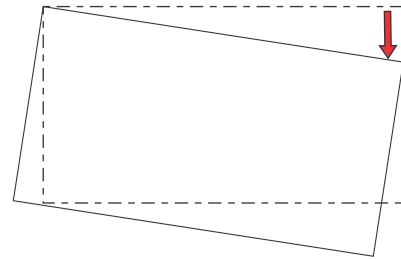
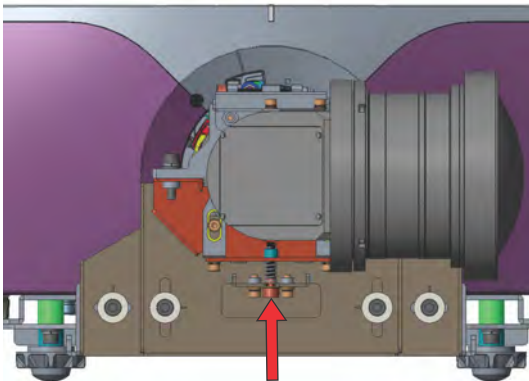
## Setting up the lens

The GS UST lens must be used with the lens adapter for support and stability.

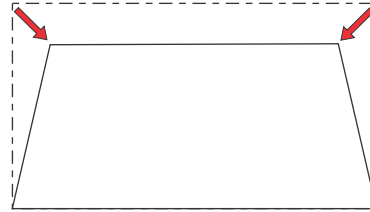
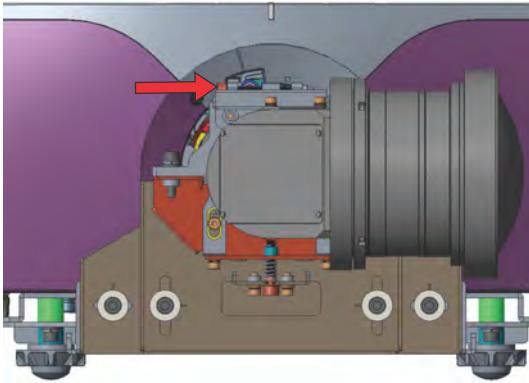
1. Power on the projector.
2. Verify screws A, B, C, and D are not fully tightened.



3. With the GS UST lens installed, select **Menu > Configuration > Ceiling Mount > On**.
4. Select **Rear Projection**.
5. Adjust the L-UST lens to the target position using the lens shift function.
6. Fasten screws A and B.
7. Lift the lens vertically by hand to achieve the required position for the best image quality.
8. Fasten screws C and D.  
Do not use the lens shift function when screws C and D are locked.
9. To fine-tune the image tilt-position, adjust the M6 screw located below the support bracket.

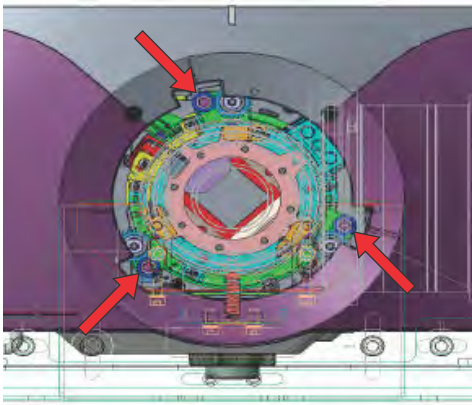


10. To fine-tune the image keystone-position, adjust the M6 screw located on the top bracket.



#### 11. Adjust the boresight if required.

For more information, see the *Christie GS Series User Manual (P/N: 020-001908-XX)* (<https://www.christiedigital.com/products/projectors/all-projectors/gs-series/Christie-DWU880-GS/overview>)



## Technical support

Technical support for Christie Enterprise products is available at:

- North and South America: +1-800-221-8025 or [Support.Americas@christiedigital.com](mailto:Support.Americas@christiedigital.com)
- Europe, Middle East, and Africa: +44 (0) 1189 778111 or [Support.EMEA@christiedigital.com](mailto:Support.EMEA@christiedigital.com)
- Asia Pacific ([support.apac@christiedigital.com](mailto:support.apac@christiedigital.com)):
  - Australia: +61 (0)7 3624 4888 or [tech-Australia@christiedigital.com](mailto:tech-Australia@christiedigital.com)
  - China: +86 10 6561 0240 or [tech-supportChina@christiedigital.com](mailto:tech-supportChina@christiedigital.com)
  - India: +91 (80) 6708 9999 or [tech-India@christiedigital.com](mailto:tech-India@christiedigital.com)
  - Japan: 81-3-3599-7481
  - Singapore: +65 6877-8737 or [tech-Singapore@christiedigital.com](mailto:tech-Singapore@christiedigital.com)
  - South Korea: +82 2 702 1601 or [tech-Korea@christiedigital.com](mailto:tech-Korea@christiedigital.com)
- Christie Professional Services: +1-800-550-3061 or [NOC@christiedigital.com](mailto:NOC@christiedigital.com)