

Installing the MPL15 wall mount trim kit on 49" LCD display panels

Add the MPL15 wall mount trim kit as a border to tiled arrays of 49" Extreme Series display panels that are mounted on MPL15 wall mounts.

The trim kit can cover a gap between 184 - 218 mm.



For improved ventilation behind the display panels Christie recommends only installing the trim kit along the bottom and sides of the array.

Required parts

Each trim kit contains the following parts.

- Long trim kit pieces (P/N: 135-124108-XX, Qty. 2)
 - M3 round head screws (Qty. 8)
 - M4 round head screws (Qty. 8)
 - M5 round head screws (Qty. 8)
 - Trim kit brackets (Qty. 2)
- Short trim kit pieces (P/N: 135-125109-XX, Qty. 2)
 - M3 round head screws (Qty. 6)
 - M4 round head screws (Qty. 4)
 - M5 round head screws (Qty. 4)
 - Trim kit brackets (Qty. 2)

Required tools

Ensure the appropriate tools are available during the installation.

- #2 Phillips screw driver

Installing the long pieces of the trim kit on an array

Learn how to install the long pieces of the trim kit on an array.

If the array is in landscape orientation, for improved ventilation behind the display panels Christie recommends only installing the long pieces of the trim kit along the bottom of the array.

1. Mount the display panels on to a fully assembled wall mount that is secured to a mounting surface.
2. Verify that all display panels in the array are correctly aligned.
3. Pull the display panel away from the wall mount.
4. If needed, remove the cable pass-through cover.

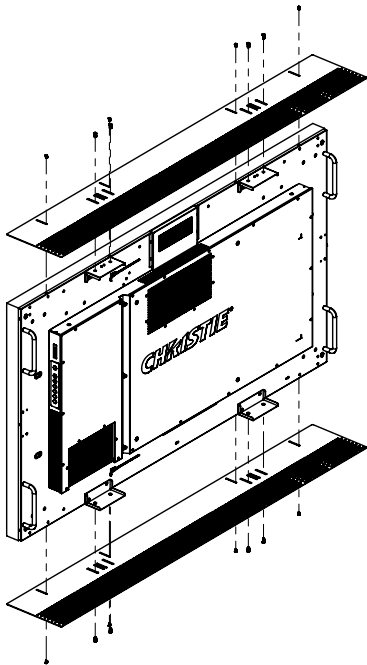


Caution! If not avoided, the following could result in minor or moderate injury.

- Metal parts may have exposed sharp edges.

Removing the pass-through cover may leave sharp edges on the trim. Use a metal file to remove the sharp edges.

5. Using the M4 round-head screws, attach four trim kit brackets to the rear of the panel.

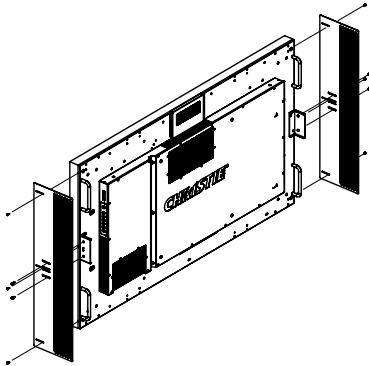


6. Using four M3 round-head screws and four M5 round head screws, loosely secure one of the long pieces of the trim kit on to a long side of the array.
7. Pushing evenly on each side of the display panel, guide the display panel back into place until the locking tabs engage.
8. Adjust the trim kit to cover the gap between the panel and the wall.
9. Tighten the trim kit screws.
10. Repeat steps 5 to 9 for the long side of all panels at the edge of the array.

Installing the short pieces of the trim kit on an array

Learn how to install the short pieces of the trim kit on an array.

1. Mount the display panels on to a fully assembled wall mount that is secured to a mounting surface.
2. Verify that all display panels in the array are correctly aligned.
3. Pull the display panel away from the wall mount.
4. Using the M4 round-head screws, attach two trim kit brackets to the rear of the panel.



5. Using three M3 round-head screws and two M5 round head screws, loosely secure one of the short pieces of the trim kit on to a short side of the array.
6. Pushing evenly on each side of the display panel, guide the display panel back into place until the locking tabs engage.
7. Adjust the trim kit to cover the gap between the panel and the wall.
8. Tighten the trim kit screws.
9. Repeat steps 4 to 8 for the short side of all panels at the edge of the array.

Related documentation

Additional information on the LCD panels is available in the following documents.

- *FHD493-XE User Guide (P/N: 020-001381-XX)*
- *FHD493-XE Product Safety Guide (P/N: 020-102681-XX)*
- *Extreme Series External Controls Technical Reference (P/N: 020-102499-XX)*

Technical support

Technical support for Christie products is available at:

- North and South America: +1-800-221-8025 or Support.Americas@christiedigital.com
- Europe, Middle East, and Africa: +44 (0) 1189 778111 or Support.EMEA@christiedigital.com
- Asia Pacific: +65 6877-8737 or Support.APAC@christiedigital.com