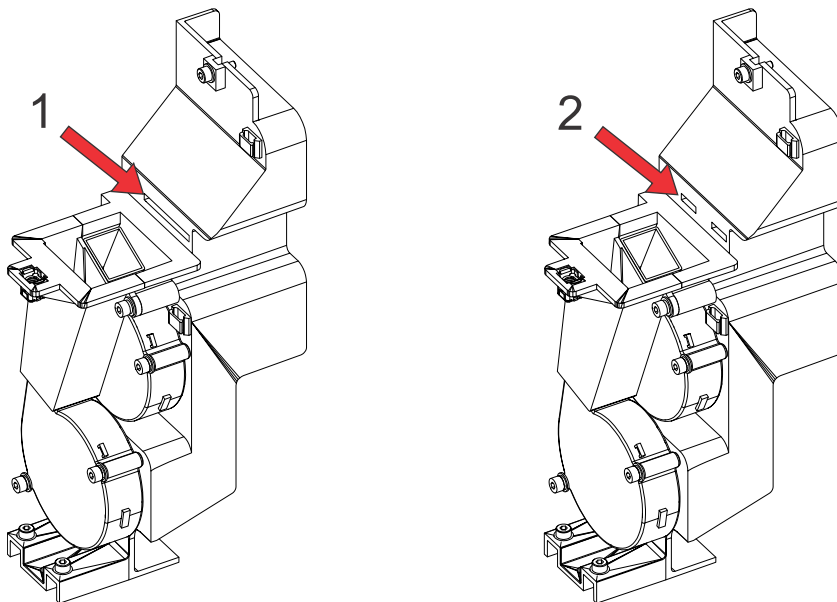


# Upgrading the Boxer LAD blower module

The LAD blower module directs airflow to help cool the light engine.

Christie recommends replacing the old LAD blower module that is designed with two slots with the new single slot design. The new single slot allows users to install the new LAD which includes a stronger single locking tab.



## Affected products

The following products are affected.

- Boxer 4K models
- Boxer 2K models
- Boxer 30
- Mirage 304K

## Required components

The following components are required to complete the upgrade.

- LAD blower module P/N: 003-006163-XX

## Tools required

The following tools are required.

- 3 mm hex driver

## Safety precautions

To prevent personal injury and to protect the device from damage, read and follow these safety precautions.

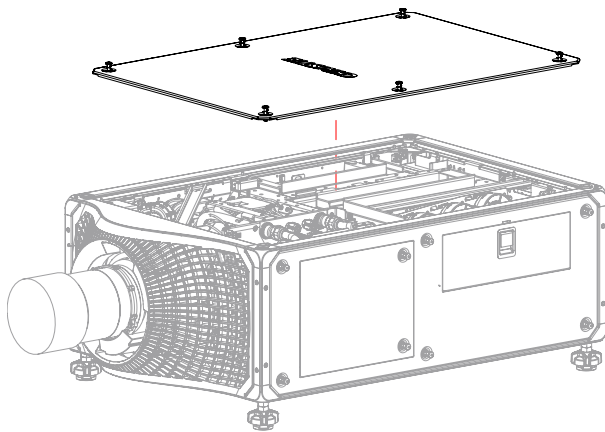


**Warning!** If not avoided, the following could result in death or serious injury.

- All procedures must be performed by Christie qualified technicians.
- SHOCK HAZARD! Disconnect the product from AC before installing, moving, servicing, cleaning, removing components, or opening any enclosure.
- Observe all electrostatic precautions. Use a grounded wrist strap and insulated tools when handling, servicing, or cleaning electronic assemblies.
- SHOCK HAZARD! All harnessing must be properly routed and secured as originally installed, especially in high voltage areas.

## Removing the top cover

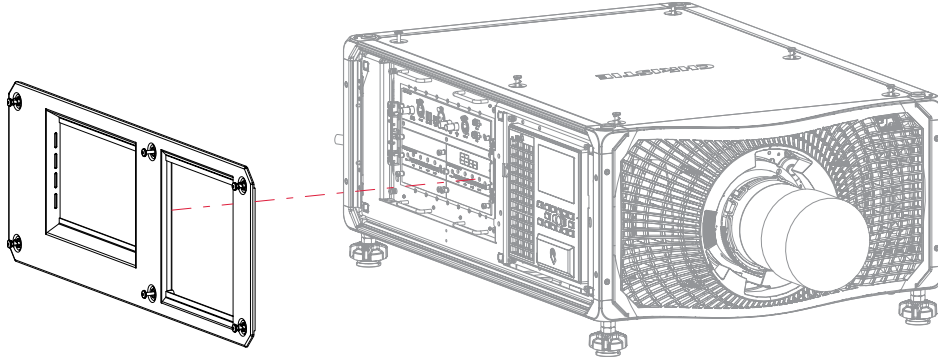
The top cover provides access to the light engine, HKBA board, and various other components.



1. Loosen the six captive screws securing the top cover.
2. Remove the top cover.

## Removing the electronics-side cover

The electronics-side cover provides access to side panel display and card cage.

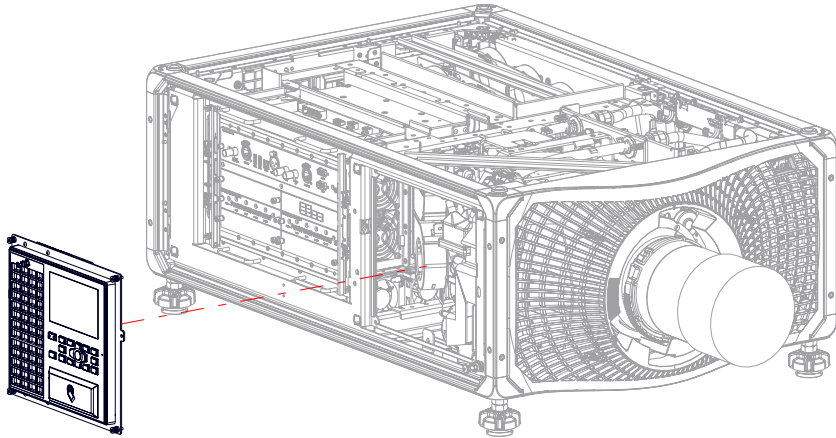


1. Loosen the six captive screws securing the electronics-side cover.
2. Remove the electronics-side cover.

## Removing the user interface module

The user interface module mounts to the electronics side of the projector.

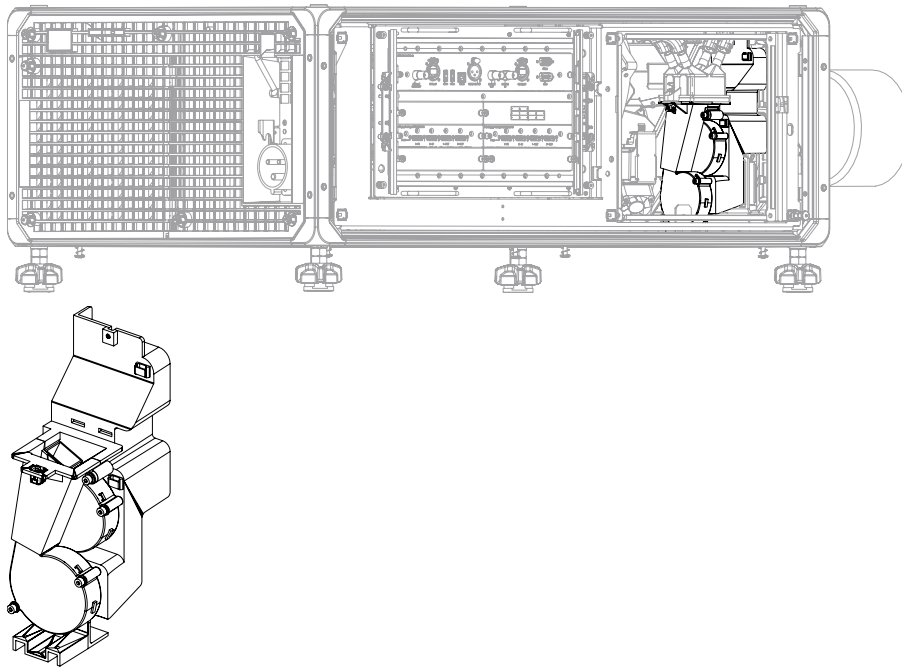
Using the side panel display, the user can view and control input and output activities on the projector. The near field communication (NFC) reader on the user interface module enables Android devices to communicate with the projector, regardless if the projector is powered on or not.



1. Loosen the four captive screws securing the user interface module.
2. Gently pull out and rotate the user interface module so the harnesses becomes accessible.
3. Free the clip from the module.
4. Disconnect the P30 and P32 harnesses.
5. Disconnect the harnesses for intake fans A (#19) and B (#20).
6. Remove the user interface module assembly.

## Removing the laminar airflow device blower module

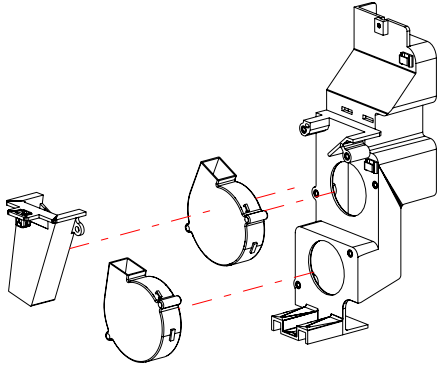
The laminar airflow device (LAD) blower module helps to cool the light engine.



1. Loosen the two captive screws on the front top support bracket and remove.
2. Loosen the three captive screws on the LAD cooling assembly.
3. Release the one screw holding the blower to the light engine LAD assembly.
4. Disconnect the two inline fan connections.
5. Pull out the LAD blower module towards the inside of the projector.

## Removing the laminar airflow device blower fans (#26 and 27)

The laminar airflow device (LAD) blower fans (#26 and 27) provide cooling for the DMD assemblies in the light engine.



1. Remove the two screws securing the duct assembly to gain access to the fans.
2. Remove the two screws securing each fan to release it.

## Installing the LAD blower module

1. Install the three screws (P/N: 011-106354-01) included in the upgrade kit, or transfer them from the old blower module to the new one.
2. Install the three plastic cable routing clips (P/N: 012-100017) included in the upgrade kit, or transfer them from the old blower module to the new one.
3. Transfer the two fans from the old blower module to the new one.
4. Secure each fan to the new blower housing with two screws.  
The new blower housing should have one slot for the LAD single tab.
5. Install two screws to secure the small duct to the main blower housing module.
6. Install the new LAD blower module inside the projector.
7. Connect the two inline fan connections.
8. Place the LAD on top of the new LAD blower module.  
Make sure the single tab seats properly into the slot.
9. Secure the LAD assembly to the blower module with the one screw.
10. Tighten the three captive screws on the new LAD blower module to the projector.
11. Reinstall the user interface module.
12. Reinstall the electronics-side cover.
13. Reinstall the top cover.

## Technical support

Technical support for Christie products is available at:

- North and South America: +1-800-221-8025 or [Support.Americas@christiedigital.com](mailto:Support.Americas@christiedigital.com)
- Europe, Middle East, and Africa: +44 (0) 1189 778111 or [Support.EMEA@christiedigital.com](mailto:Support.EMEA@christiedigital.com)
- Asia Pacific: +65 6877-8737 or [Support.APAC@christiedigital.com](mailto:Support.APAC@christiedigital.com)