

Quick Start Guide

020-101677-04

Roadie 4K45



NOTICES

COPYRIGHT AND TRADEMARKS

Copyright © 2016 Christie Digital Systems USA Inc. All rights reserved.

All brand names and product names are trademarks, registered trademarks or trade names of their respective holders.

GENERAL

Every effort has been made to ensure accuracy, however in some cases changes in the products or availability could occur which may not be reflected in this document. Christie reserves the right to make changes to specifications at any time without notice. Performance specifications are typical, but may vary depending on conditions beyond Christie's control such as maintenance of the product in proper working conditions. Performance specifications are based on information available at the time of printing. Christie makes no warranty of any kind with regard to this material, including, but not limited to, implied warranties of fitness for a particular purpose. Christie will not be liable for errors contained herein or for incidental or consequential damages in connection with the performance or use of this material. Canadian manufacturing facility is ISO 9001 and 14001 certified.

WARRANTY

Products are warranted under Christie's standard limited warranty, the complete details of which are available by contacting your Christie dealer or Christie. In addition to the other limitations that may be specified in Christie's standard limited warranty and, to the extent relevant or applicable to your product, the warranty does not cover:

- a. Problems or damage occurring during shipment, in either direction.
- b. Projector lamps (See Christie's separate lamp program policy).
- c. Problems or damage caused by use of a projector lamp beyond the recommended lamp life, or use of a lamp other than a Christie lamp supplied by Christie or an authorized distributor of Christie lamps.
- d. Problems or damage caused by combination of a product with non-Christie equipment, such as distribution systems, cameras, DVD players, etc., or use of a product with any non-Christie interface device.
- e. Problems or damage caused by the use of any lamp, replacement part or component purchased or obtained from an unauthorized distributor of Christie lamps, replacement parts or components including, without limitation, any distributor offering Christie lamps, replacement parts or components through the internet (confirmation of authorized distributors may be obtained from Christie).
- f. Problems or damage caused by misuse, improper power source, accident, fire, flood, lightening, earthquake or other natural disaster.
- g. Problems or damage caused by improper installation/alignment, or by equipment modification, if by other than Christie service personnel or a Christie authorized repair service provider.
- h. Problems or damage caused by use of a product on a motion platform or other movable device where such product has not been designed, modified or approved by Christie for such use.
- i. Problems or damage caused by use of a projector in the presence of an oil-based fog machine or laser-based lighting that is unrelated to the projector.
- j. For LCD projectors, the warranty period specified in the warranty applies only where the LCD projector is in "normal use" which means the LCD projector is not used more than 8 hours a day, 5 days a week.
- k. Except where the product is designed for outdoor use, problems or damage caused by use of the product outdoors unless such product is protected from precipitation or other adverse weather or environmental conditions and the ambient temperature is within the recommended ambient temperature set forth in the specifications for such product.
- l. Defects caused by normal wear and tear or otherwise due to normal aging of a product.

The warranty does not apply to any product where the serial number has been removed or obliterated. The warranty also does not apply to any product sold by a reseller to an end user outside of the country where the reseller is located unless (i) Christie has an office in the country where the end user is located or (ii) the required international warranty fee has been paid.

The warranty does not obligate Christie to provide any on site warranty service at the product site location.

PREVENTATIVE MAINTENANCE

Preventative maintenance is an important part of the continued and proper operation of your product. Please see the Maintenance section for specific maintenance items as they relate to your product. Failure to perform maintenance as required, and in accordance with the maintenance schedule specified by Christie, will void the warranty.


REGULATORY

The product has been tested and found to comply with the limits for a Class A digital device, pursuant to Part 15 of the FCC Rules. These limits are designed to provide reasonable protection against harmful interference when the product is operated in a commercial environment. The product generates, uses, and can radiate radio frequency energy and, if not installed and used in accordance with the instruction manual, may cause harmful interference to radio communications. Operation of the product in a residential area is likely to cause harmful interference in which case the user will be required to correct the interference at the user's own expense.

CAN ICES-3 (A) / NMB-3 (A)

이 기기는 업무용(A급)으로 전자파적합등록을 한 기기이오니 판매자 또는 사용자는 이점을 주의하시기 바라며, 가정 외의 지역에서 사용하는 것을 목적으로 합니다.

ENVIRONMENTAL

The product is designed and manufactured with high-quality materials and components that can be recycled and reused. This symbol  means that electrical and electronic equipment, at their end-of-life, should be disposed of separately from regular waste. Please dispose of the product appropriately and according to local regulations. In the European Union, there are separate collection systems for used electrical and electronic products. Please help us to conserve the environment we live in!

Content

Introduction.	5
Safety and warning guidelines.	5
Installation safety and warning guidelines.	6
AC/power precautions.	6
Lamp precautions.	7
Product safety labels.	7
Light intensity hazard distance.	9
Projector overview.	10
Contact your dealer.	10
Key features.	11
How the projector works.	11
List of components.	12
Installation and Setup.	13
Site requirements.	13
Physical operating environment.	13
Power connection.	13
Tools required for installation.	13
Projector components.	14
Lamp power supply components.	15
Positioning the projector.	16
Connecting the lamp power supply.	17
Configuring ballast settings for 200 VAC operation.	19
Configuring ballast settings for 400 VAC operation.	20
Adjusting the projector tilt and level.	22
Installing the foot extension rods.	23
Installing the touch panel controller.	23
Connecting external exhaust ducting (optional).	24
Removing the projector shroud (optional).	24
Setting up the lens.	25
Orienting the projector in portrait mode.	26
Connecting devices.	27
Input video mapping.	27

Four-Port: 3GIC, TDPIC, THIC cards.	27
Four-Port: DDIC card.	28
Two-Port: TDPIC card.	28
Two-Port: DDIC card.	28
Connecting a video source using DisplayPort.	29
Connecting a video source using 3G input card.	29
Connecting a video source using HDMI.	29
Connecting a video source using DVI.	30
Selecting a video source.	30
Connecting to a computer or server.	31
Setting up Ethernet.	31
Operation.	32
Projector LED status indicators.	32
Turning the projector on.	32
LED expected behavior on power up.	33
Turning the projector off.	33
Specifications.	34
Display.	34
Optional input cards.	35
Control signal compatibility.	35
Temperature sensor thresholds.	36
Warning thresholds for fans.	37
Warning threshold for liquid cooling module.	38
Touch panel controller.	38
Power requirements.	38
Lamp Power Supply power specifications.	39
Lamp.	39
Physical specifications.	40
Regulatory.	41
Safety.	41
Approvals.	41
Electro-magnetic compatibility.	41
Accessories.	42
Signal connectivity.	44

Introduction

This manual is intended for professionally trained operators of Christie high-brightness projection systems.

These operators are qualified to replace the lamp and air filters, but should not attempt to install or service the projector.

Only qualified Christie technicians who are knowledgeable about the hazards associated with high-voltage, ultraviolet exposure, and the high temperatures generated by the projector lamp are authorized to assemble, install, and service the projector.

For complete Roadie 4K45 product documentation and technical support, go to www.christiedigital.com.

Safety and warning guidelines

Read all safety and warning guidelines before installing or operating the projector.

This projector must be operated in an environment that meets the operating range specification. Use only the attachments and/or accessories recommended by Christie. Use of others may result in the risk of fire, shock, or personal injury.



Warning! Failure to comply with the following could result in death or serious injury.

- Do not look directly into the lens or at the lamp. The extremely high brightness can cause permanent eye damage.
- **EXTREME BRIGHTNESS!** When accessing a restricted access location for product service or maintenance, avoid exposure to the product beam path by turning the product power off and disconnecting the product from AC power, or by shuttering the lamp to avoid emissions from the front aperture.
- **FIRE HAZARD!** Keep hands, clothes, and all combustible material away from the concentrated light beam of the lamp.



Caution! Failure to comply with the following could result in minor or moderate injury.

- **TRIP OR FIRE HAZARD!** Position all cables where they cannot contact hot surfaces, be pulled, be tripped over, or damaged by persons walking on or objects rolling over the cables.
- The American Conference of Governmental Industrial Hygienists (ACGIH) recommends occupational UV exposure for an 8-hour day to be less than 0.1 microwatts per square centimeters of effective UV radiation. A workplace evaluation is advised to assure employees are not exposed to cumulative radiation levels exceeding the government guidelines for your area. Be aware that some medications are known to increase sensitivity to UV radiation.

Installation safety and warning guidelines

Read all safety and warning guidelines before installing the projector.



Danger! Failure to comply with the following results in death or serious injury.

- This product must be installed within a restricted access location where equipotential bonding is provided, which is normally inaccessible by the general public, including workers, visitors, and residents in the immediate vicinity, by means of engineering or administrative control measures but is accessible to authorized personnel that may not have specific safety training.
- This product must be located and positioned in a way as to restrict audience members from direct access to enter the light beam path.
- For overhead installations, always install safety straps or cables, ensure lens safety cable and TPC safety cables are installed, observe load ratings and all local applicable safety codes, and do not install the shroud on the projector.
- Only install the projector in an upright or portrait orientation. Do not install the projector in an inverted orientation.
- When rigging, stacking or installing the projector in portrait mode, use the Roadie 4K Frame P/N: 129-115108-XX.
- The projector uses a high-pressure lamp that may explode if improperly handled. Always wear manufacturer approved protective safety clothing (gloves, jacket, face shield) when the lamp door is open or when handling the lamp. Failure to comply results in death or serious injury.



Warning! Failure to comply with the following could result in death or serious injury.

- A Christie qualified technician is required for all installations.
- SHOCK HAZARD! Never operate the projector without all of its covers in place.
- Use of the projector's rear safety strap is **mandatory** to prevent the projector from tipping. Secure the strap between the projector and the surface it is mounted to.
- Four or more people are required to safely lift and hand-carry one projection head a short distance. Christie recommends removing the lamp before transporting the projector.
- Two or more people are required to safely lift and hand-carry the lamp power supply (LPS).



Notice. Failure to comply with the following may result in property damage.

- Perform an automatic LampLOC adjustment when the lamp is moved, leveled, or a new lamp is installed in the projector.
- Keep the projector level when lifting or transporting. Avoid tilting the projector to the right. This can introduce an air bubble into the coolant hoses that can result in an air lock and the overheating of the projector.

AC/power precautions

To correctly install this projector, a certified electrician must install a permanent three-phase connection to the lamp power supply (LPS). The LPS projector outlet supplies power to the projector head. Operate the projector at the recommended voltage.



Danger! Failure to comply with the following results in death or serious injury.

- Disconnect projector from AC before opening any enclosure.



Warning! Failure to comply with the following could result in death or serious injury.

- FIRE AND SHOCK HAZARD! Do not attempt operation unless the power cord, power socket, and power plug meet the appropriate local rating standards.
- SHOCK HAZARD! Only use the AC power cord provided with the product or recommended by Christie.
- FIRE OR SHOCK HAZARD! Do not overload power outlets and extension cords.
- FIRE HAZARD! Do not use a power cord that appears damaged.

Lamp precautions

Lamps used in the projector are under high pressure and must be handled with caution. Lamps can explode and cause serious personal injury if dropped or mishandled.



Danger! Failure to comply with the following results in death or serious injury.

- Do not open the lamp door while the lamp is on.
- EXPLOSION HAZARD! Allow sufficient time for the lamp to cool down before powering down the product, disconnecting it from AC, and opening the lamp door.
- Christie products must be installed and serviced by Christie qualified technicians.
- EXPLOSION HAZARD! Always wear manufacturer approved protective safety clothing (gloves, jacket, face shield) whenever the lamp door is open or when handling the lamp. Any local or federal specifications take precedence over Christie's protective clothing recommendations.



Warning! Failure to comply with the following could result in death or serious injury.

- Possibly hazardous optical radiation emitted from this product. (Risk group 3)
- Thermal radiation emitted from this product may cause burns. (Risk group 3)

Product safety labels

Learn about the safety labels used on the projector.



Indicates the presence of a grounding point.



Indicates the presence of an earth grounding point.



Indicates the presence of a dangerous condition or situation.



Indicates the presence of a pinch hazard. To avoid personal injury, keep hands clear and loose clothing tied back.



Indicates the presence of a hot surface. To avoid personal injury, always allow the projector to cool down for a minimum of 10 minutes before performing maintenance or service procedures.



Indicates the presence of a hot surface. To avoid personal injury, always allow the projector to cool down for a minimum of 10 minutes before performing maintenance or service procedures.



Indicates the presence of an electrical shock hazard. To avoid personal injury, always disconnect all power sources before performing maintenance or service procedures.



Indicates the presence of an electrocution hazard. To avoid personal injury, always disconnect all power sources before performing maintenance or service procedures.



Indicates the presence of moving fan blades. To avoid personal injury, keep hands clear and loose clothing tied back. Always disconnect all power sources before performing maintenance or service procedures.



Indicates exposure to bright light. To avoid personal injury, never look directly at the light source.



Indicates the presence of an explosion hazard. To avoid personal injury, always disconnect all power sources and wear Christie approved protective clothing.



Indicates the presence of a fire hazard. To avoid personal injury and property damage, always adhere to the instructions described in this manual.



Always disconnect all power sources before performing maintenance or service procedures.



See the product user manual for specific information and directions.



See the product service manual for specific information and directions.



Never look directly into the projector lens. The extremely high brightness can cause permanent eye damage.

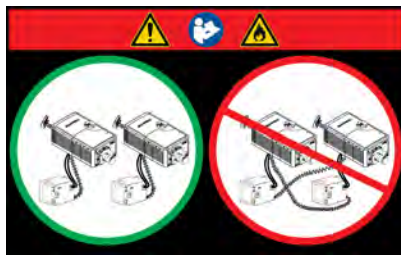
	<p>Risk Group 3 / Groupe de risque 3 / 三类危害</p>
	<p>WARNING: Possibly hazardous optical radiation emitted from this product. Classified per IEC 62471-2.</p>
	<p>AVERTISSEMENT: Ce produit émet un rayonnement optique potentiellement dangereux. Classé par IEC 62471-2.</p>
	<p>警告：该产品可能会产生危害性的光辐射。按照IEC62471-2分类。</p>

Indicates possible optical radiation emitted from the product.

Risk Group 3 / Groupe de risque 3 / 三类危害

WARNING: Thermal Radiation emitted from this product may cause burns. Classified per IEC 62471-2
AVERTISSEMENT: le rayonnement thermique émis par ce produit peut causer des brûlures. Classé par IEC 62471-2
警告： 该产品的热辐射可能导致灼伤
 按照IEC62471-2分类

Indicates thermal radiation emitted from the product may cause burns.



This label warns of a cross-connection hazard when installing multiple projectors at once. A fire hazard exists if a lamp power supply interlock cable is connected to a different projector than its lamp power cables.

For more information, see Adjust the projector tilt and level in the Installation and Setup chapter

Light intensity hazard distance

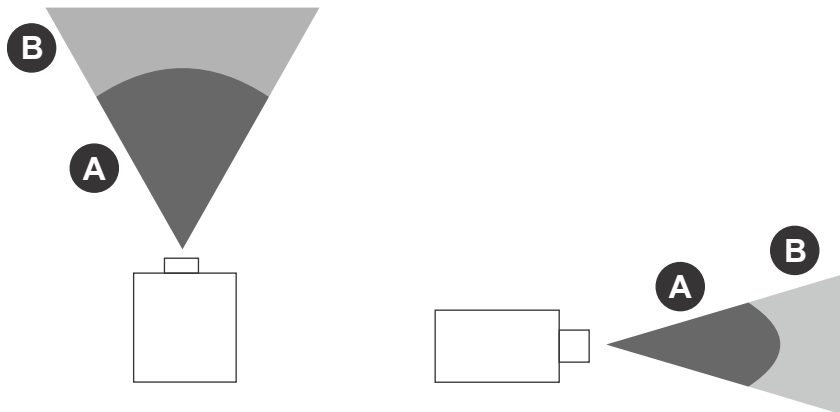
This projector has been classified as Risk Group 3 as per the IEC62471 standard due to possible hazardous optical and thermal radiation being emitted.



Warning! Failure to comply with the following could result in serious injury.

- PERMANENT/TEMPORARY BLINDNESS HAZARD! No direct exposure to the beam is permitted.
- PERMANENT/TEMPORARY BLINDNESS HAZARD! Operators must control access to the beam within the hazard distance or install the product at the height (greater than or equal to 3.0 m from the floor to the beam) that prevents exposure of spectators' eyes within the hazard distance.
- EXTREME BRIGHTNESS! Do not place reflective objects in the product light path.

The following diagram and table shows the zones for optical and thermal radiation hazard distances:



- Zone A—The light intensity may cause eye damage after a momentary or brief exposure (before a person can avert his or her eye away from the light source). The light may cause skin burns to occur.
- Zone B—The light intensity does not pose a hazard due to the eye's aversion response to bright light. However, staring directly into the light may still be a hazard.

Projection lens	Part number	Zone A (m)	Zone B (m)
0.72:1 Roadie HB lens	113-104106-XX	0 to 0.7	0.7+
0.9:1 fixed lens	38-809071-XX	0 to 0.8	0.8+
1.13-1.31:1 HB zoom lens	129-104106-XX	0 to 1.2	1.2+
1.31-1.63:1 HB zoom lens	129-105107-XX	0 to 1.5	1.5+
1.63-2.17:1 HB zoom lens	129-106108-XX	0 to 2.0	2.0+
1.98-2.71:1 HB zoom lens	129-107109-XX	0 to 2.5	2.5+
2.71-3.89 HB zoom lens	129-108100-XX	0 to 3.6	3.6+
3.89-5.43:1 HB zoom lens	129-109101-XX	0 to 4.9	4.9+
5.0-7.69:1 HB zoom lens	129-110103-XX	0 to 7.0	7.0+

Projector overview

The Roadie 4K45 is a professional quality, easy-to-use, split-body projector using Digital Light Processing (DLP™) technology from Texas Instruments.

Integrating smoothly into traditional projection environments, the Roadie 4K45 interfaces with local networks throughout the world, for multimedia presentations from a variety of formats, to offer stunning wide screen, high-resolution 4K images at 60 frames per second.

Contact your dealer

Record the information about your projector and keep this information with your records to assist with the servicing of your projector. If you encounter a problem with your Christie projector, contact your dealer.

Purchase record

Dealer:

Dealer or Christie Sales/Service contact phone number:

Projector serial number:

The serial number can be found on the license label located on the frontside panel

Purchase date:

Installation date:

Ethernet settings

Default gateway

Projector IP address

Subnet mask

Key features

Understand the important features of the projector.

- 3-chip 4K DLP™ light engine
- 4096 x 2160 native pixel format
- Warp and blend of projected images
- Supports screens up to approximately 100 feet in width
- Touch panel controller (TPC) for main projector interface. Verify you have the latest software by visiting <http://www.christiedigital.com>
- 1x 10/100BaseT Ethernet port
- RS232 ports for communication
- 4x Option slots accepting a variety of digital video input option cards
- LiteLOC™ feature for constant image brightness
- LampLOC™ feature for motorized three-axis lamp alignment
- Electronically operated “quick” douser
- Motorized lens mount
- LED indicators on the rear corners of the projector for easy-to-read status indication
- Replaceable air filters (no tools required)
- Optional stacking/rigging frame
- Choice of field-interchangeable zoom lenses

Model name	Part number
Roadie 4K45	129-015107-XX
Lamp Power Supply (LPS)	129-117100-XX

How the projector works

The Roadie 4K45 accepts a variety of input signals for projection on front or rear projection screens, typical in commercial or other large screen applications.

High-brightness light is generated by a short arc Xenon lamp, then modulated by three Digital Micromirror Device (DMD) panels responding to incoming data streams of digitized red, green and blue color information. As these digital streams flow from the source, light from the responding “on” pixels of each panel is reflected, converged and then projected to the screen through one or more projection lenses, where all pixel reflections are superimposed in sharp full-color images.

The lamp power supply (LPS) is an external component which provides DC power for 2.0, 3.0, 4.5, 6.0 kW, and 7.0 kW lamps. The LPS is connected with a twisted-pair high power lamp cable assembly, a RS232 serial cable and an Interlock (Lamp Enable) cable. It also includes one AC power outlet that can be used to power the projector electronics. This outlet must be wired accordingly for the local region.

List of components

Verify all components were received with the projector.

- Touch panel controller (TPC)
- Lens plug (required for shipping when lens is not installed to prevent contamination of critical optical components)
- Light engine removal tool
- Convergence tools
- Nylon safety strap with clip (required to secure projector to tabletop)
- Warranty card
- Access keys
- Web registration form
- 2 m region-specific line cord

Verify the following components were received with the Lamp Power Supply (P/N: 129-117100-XX):

- 10' line cord (250V/10A)
- Harness package (includes four cables)

Installation and Setup

Learn how to install, connect, and optimize the projector display.

Site requirements

To safely install and operate the projector, the installation location must have restricted access for authorized personnel only and meet these minimum requirements.

Physical operating environment

Provides specifications for the operating environment.

- Maximum ambient temperature (operating) 35°C (95°F)
- Minimum ambient temperature (operating) 10°C (50°F)

Power connection

Learn the requirements for permanently wired installations or power cord connections.

- Single phase 10A IEC320C14 (lamp power supply to projector head)
or
Single phase 15A (North America)/10A (all other regions) power cord (projector head to AC mains). The latter cord is provided for installations where the projector head is remotely located from the lamp power supply (LPS) and must be powered directly from the AC mains instead of the LPS.
- Terminal block, electrician hard-wired at the projector headlamp power supply (LPS).
Three-phase, 39A 200-230VAC + Earth (North America and Japan)
or
Three-phase, 26A 380-415VAC + Neutral + Earth (regions outside North America and Japan)
- This product can be connected to an IT power distribution system.

Tools required for installation

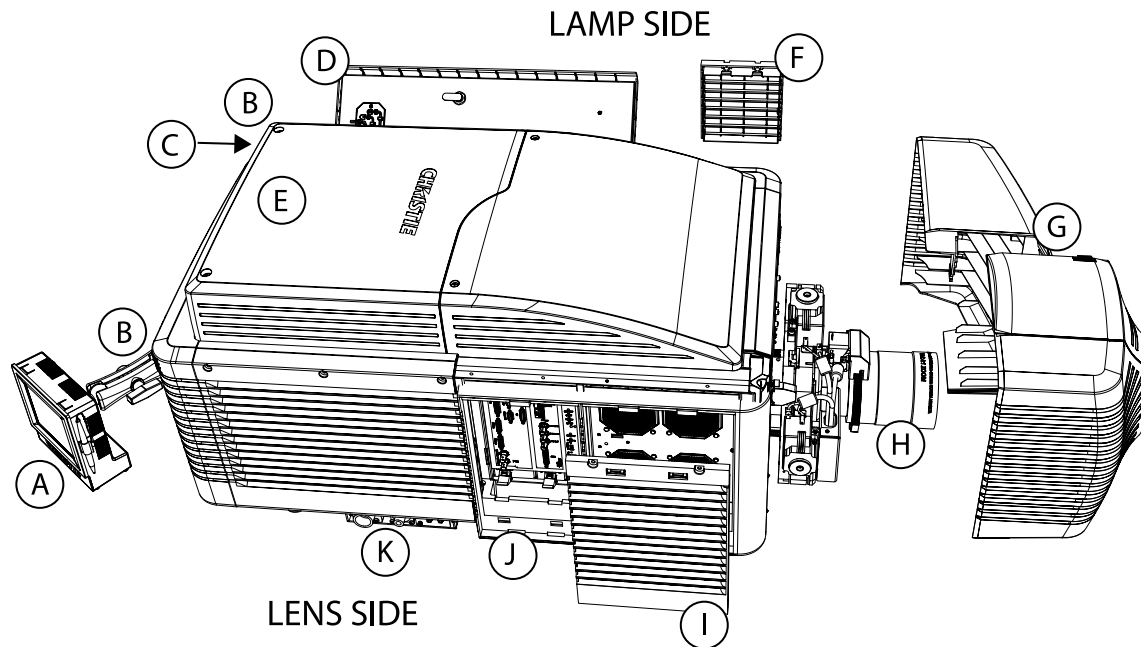
Make sure the following tools are available during the installation:

- 12" screwdrivers: Phillips #2 (magnetic) and flat
- 19 mm and 7/8" wrenches
- Assorted Allen keys (metric)

- Christie approved protective safety clothing if working with the lamp
- Lens cleaning tissue and solution

Projector components

Learn where to find the components of the projector.

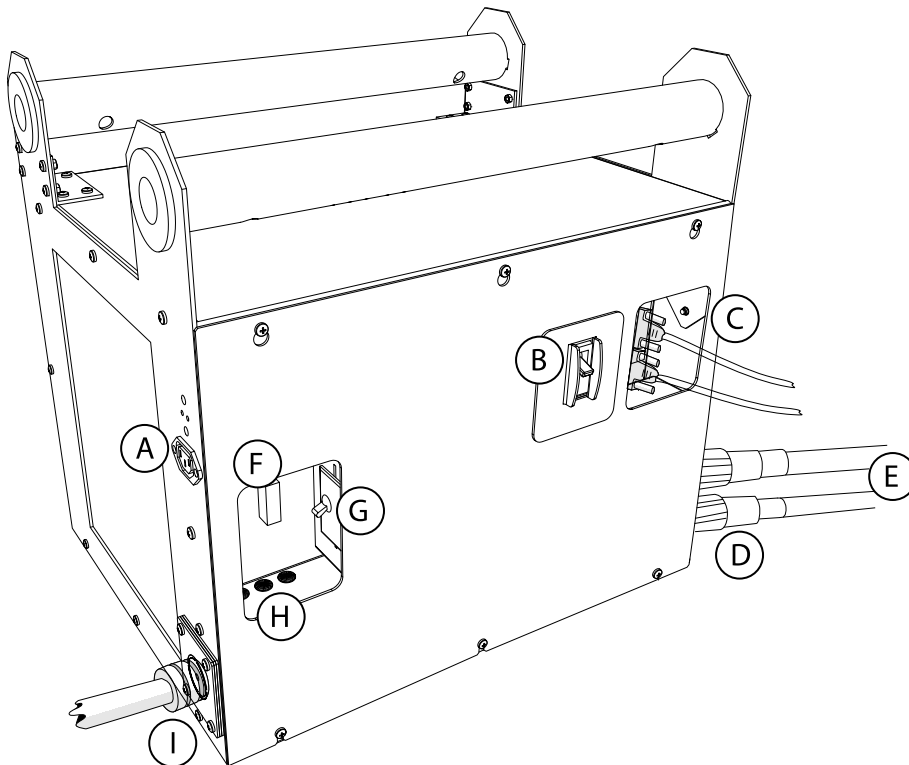


ID	Item	Description
A	Touch panel controller (TPC)	A touch-sensitive screen used to control and monitor operation. See Touch panel controller.
B	LED status indicators	LED color and blinking rates (located in both back corners of the projector) provide information about the status of the projector. See <i>Projector LED status indicators</i> (on page 32).
C	Manual douser override	Closing the douser rotates a shutter blade in front of the lamp and reduces the lamp power to its minimum. The override is for emergency use only.
D	Lamp door and lamps	The lamp door provides access to the lamp compartment and must remain closed and locked for normal operation. Lamp replacement should only be performed by qualified technicians. See <i>Accessories</i> (on page 42).
E	Low profile extractor	Extracts heated air from the lamp compartment out the back of the projector. The Roadie Ducted Exhaust kit (not shown) P/N: 113-107109-xx is available to duct hot air away from the projector. See <i>Accessories</i> (on page 42).
F	Radiator access door panel	The radiator door provides access to the radiator and liquid cooling compartment and must remain closed during normal operation.

ID	Item	Description
G	Shroud (optional)	Covers the motorized lens mount assembly (two-pieces).
H	Projection lens	A variety of lenses can be used with the Roadie 4K45. See <i>Accessories</i> (on page 42).
I	Air filter cover and air filter	Filters the intake air before it circulates through the front compartment to cool the main electronics. See <i>Replacing the light engine air filter</i> .
J	Input panel	Provides a variety of ports for connecting external devices. See <i>Connecting devices</i> (on page 27).
K	Connector box	Provides connections for the DC lamp and communication cables.

Lamp power supply components

Learn the components of the lamp power supply.



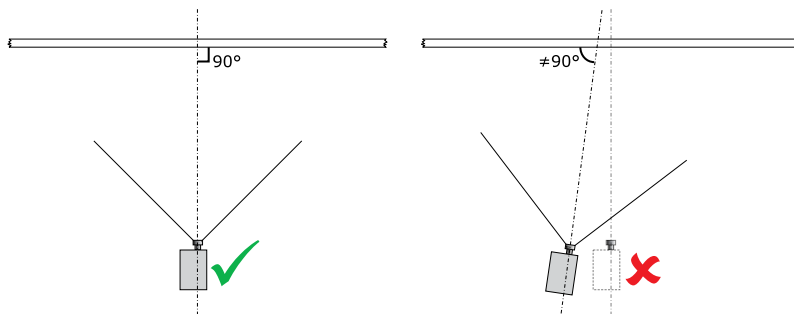
ID	Item	Description
A	Projector AC power outlet	Powers the projector head. Do not use this outlet to power other devices.
B	Main LPS breaker	Acts as a power switch, protecting the lamp power supply (LPS) against over-current conditions of 40A or more.
C	Projector Interlock and communication connections	Provides communication between the projector and the LPS.

ID	Item	Description
D	DC cable connectors	Locking connectors for DC cables. These connectors are shipped separately and must be connected by an electrician.
E	DC lamp power cables	Carries power from the LPS to the projection lamp.
F	Lamp breaker	Acts as a power switch, protecting the LPS against over-current conditions of 50A or more.
G	Outlet breaker	Acts as a power switch, protecting the projector electronics against over-current conditions of 15 A or more.
H	Power phase indicator lights	Indicates the power on each of the three phases.
I	LPS power inlet	Supplies power to the LPS. This connection must be wired by an electrician, according to local regulations.

Positioning the projector

Position the projector in relation to the screen.

1. Position the projector at an appropriate throw distance (projector-to-screen distance) and vertical position. Ideally, center the projector with the screen. If space is limited, aim the projector slightly off-center. This increases side keystone, but reduces the horizontal lens offset required.



Keep the projector lens as perpendicular to the screen as possible, even if significantly above the screen center. When a particularly short throw distance combines with a wide screen, you may have to forfeit some aim and stay more perpendicular to the screen. In such cases, some lens offset can reduce the keystone distortion.

2. If using the Roadie 4K frame (P/N: 129-115108-XX), install the projector using the instructions provided with the frame.

Connecting the lamp power supply

Connect the lamp power supply to the projector head.



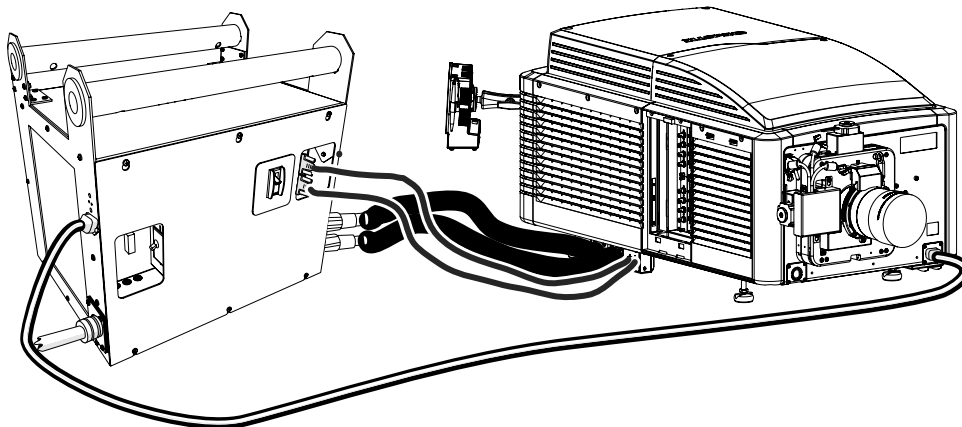
Warning! Failure to comply with the following could result in death or serious injury.

- A certified electrician must be present during installation.
- Always connect the ground first to reduce shock hazard.
- Do not return the current through the ground.
- Use an appropriately sized strain relief connector with the knockout plate provided, to ensure adequate environmental sealing and to prevent the AC supply cable from accidentally being torn out or rubbing against the knockout plate.



Notice. Failure to comply with the following may result in property damage.

- Incorrect lamp power supply and igniter connections can damage the product.



To avoid cross connections between projectors and lamp power supplies, always perform this procedure in its entirety for each projector, one after another. Never attempt to connect multiple projectors and lamp power supplies together at the same time.

1. Ensure the power is disconnected from the lamp power supply (LPS).
2. Electrician wiring—AC input:



Caution! Failure to comply with the following could result in minor or moderate injury.

- Use an appropriately sized strain relief connector with the knockout plate provided to ensure adequate environmental sealing and to prevent the cable from accidentally being torn out.
- a) Loosen the six screws to remove the LPS side panel.
 - b) Connect the AC directly to the LPS AC input terminal block according to your region.
 - For North America, Japan, Korea and most of Central/South America (200-230 VAC): Wire Phase 1, 2, 3 and Ground
 - For Europe and China (380-415 VAC): Wire Phase 1, 2, 3, Neutral and Ground
 - c) Move the AC input line voltage switch in the upper-left corner of the LPS to the left when using a *200 VAC supply* (on page 19), or to the right when using a *400 VAC supply* (on page 20).

- d) Reinstall and secure the LPS side panel with six screws.



Notice. Failure to comply with the following may result in property damage.

- SHOCK HAZARD! Internal input line voltage switch setting must match AC available on site.

3. Connect the LPS communication cables:

- a) Connect one end of the RS232 cable to the lower port on the LPS labeled **RS232**.
- b) Connect one end of the Interlock cable to the upper port on the LPS labeled **Interlock**.
- c) Connect the projector end of the cable to the port labeled **RS232**, located on the connector box below the base of the projector on the lens side.
- d) Connect the projector end of the Interlock cable to the port labeled **Interlock**, located on the connector box below the base of the projector on the lens side.

4. Connect the DC lamp power cables:

Connect the negative (-) black lamp lead between the black connector (-) on the LPS and the black connector (-) on the projector head. Connect the positive (+) red lamp lead between the red connector (+) on the LPS and the red connector (+) on the projector head.

Reversing the connections can damage the projector.

When connecting DC cables between the ballast and the projector, be sure to fully connect the cables and twist clockwise to ensure full engagement.

5. Connect one end of the line cord into the LPS power connector labeled **Projector ONLY**.

If using the longer DC cable kits, the projector head must be powered separately using Christie recommended line cord provided for your region.

6. Connect the other end of the projector line cord into the plug on the bottom lamp-side of the projector front bezel.

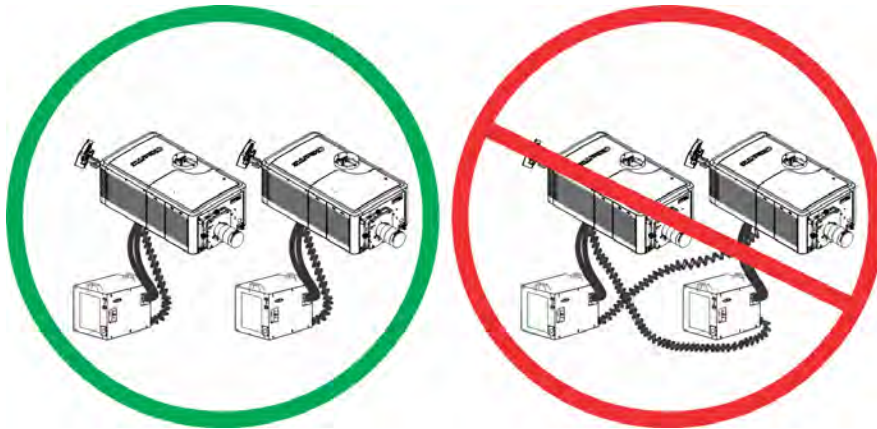
These connectors are controlled with the power connector breaker. For details, see the interconnect drawing provided with the projector.



Warning! Failure to comply with the following could result in death or serious injury.

- The power connector terminal block must be terminated correctly to allow 200 - 240 VAC output.
- Do not access the product power directly from the building electrical source.

7. Verify the LPS to projector connections by making sure that all cables connected to the LPS are connected to the same projector.



Danger! Failure to comply with the following results in death or serious injury.

- FIRE HAZARD! Do not cross-connect the high current DC cables of the lamp power supply and the projector's interlock/control cables in a multi-projector installation.

8. Set the three LPS breakers to their on positions.
9. Set the projector breaker, located on the baseplate below the projector AC receptacle, to the on position.

Configuring ballast settings for 200 VAC operation

Convert the voltage to 200 VAC for the lamp power supply (LPS).

1. Unplug the LPS from power.
2. Remove the front panel using a Phillips screwdriver.
3. Insert the convenience outlet harness (black) wire into the first position on the terminal block.



4. Tighten the screw to secure the harness in place.
Ensure the wire insulation is not crimped under the screw.
5. Slide the selector switch to the **200V** location.

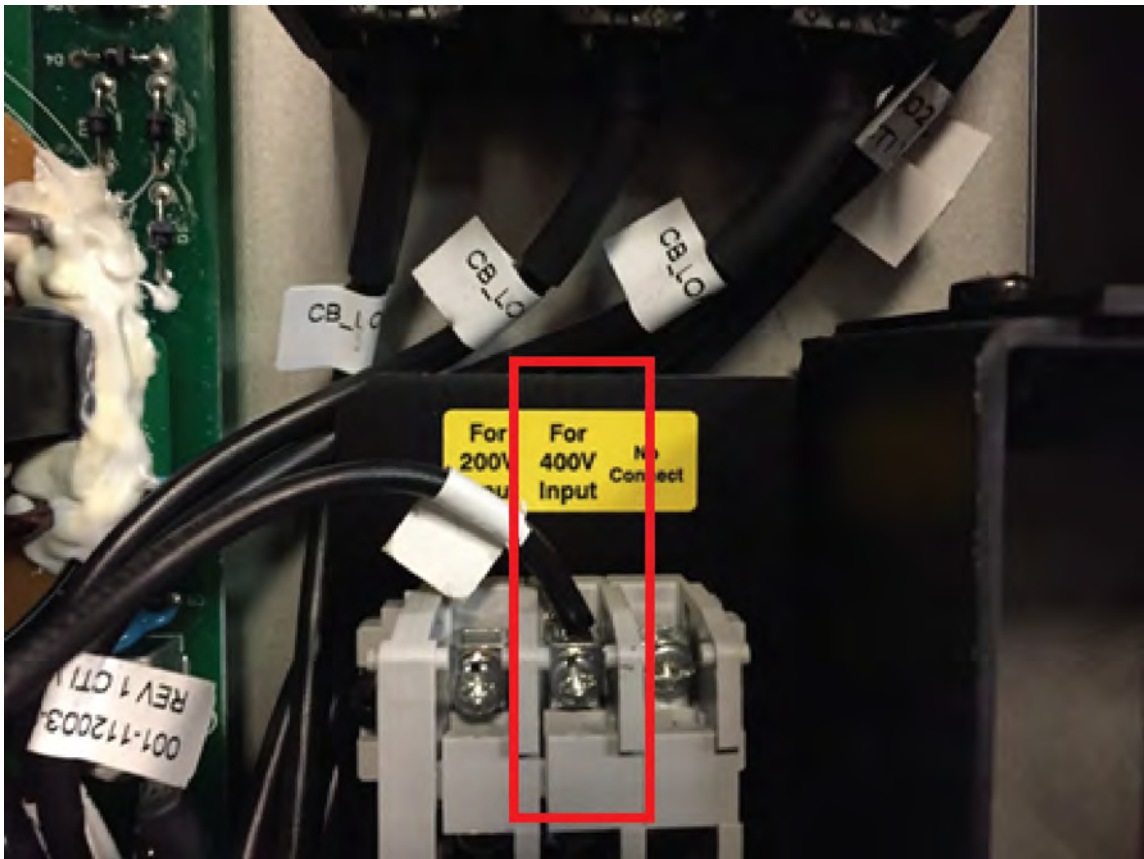


6. Re-attach the front panel.

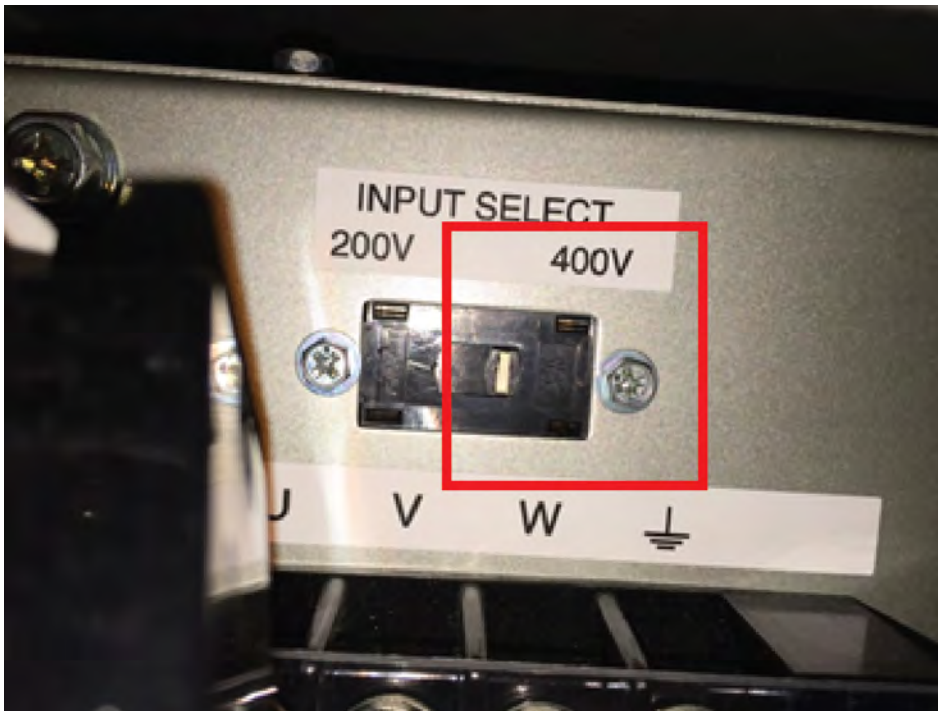
Configuring ballast settings for 400 VAC operation

Convert the voltage to 400 VAC for the lamp power supply (LPS).

1. Unplug the LPS from power.
2. Remove the front panel using a Philips screwdriver.
3. Insert the convenience outlet harness (black) wire into the second position on the terminal block.



4. Tighten the screw to secure the harness in place.
Ensure the wire insulation is not crimped under the screw.
5. Slide the selector switch to the 400V location.



6. Re-attach the front panel.

Adjusting the projector tilt and level

Adjust the projector tilt to fill the maximum amount of screen while minimizing keystone. Lens offset can be used to center the image in the center of the screen.



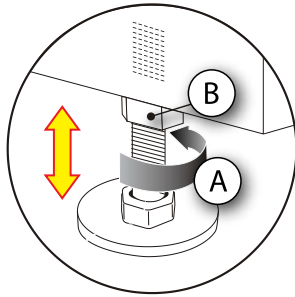
Warning! Failure to comply with the following could result in death or serious injury.

- TIP HAZARD! Always use the rear safety strap to prevent the product from tipping.
- TIP HAZARD! Do not over-extend the product's feet. Ensure several threads from each foot remain engaged in the product's baseplate.



Notice. Failure to comply with the following may result in property damage.

- Do not tilt the product more than ± 15 degrees.
1. Secure a safety lifting strap rated to handle the projector weight at the rear of the projector.
 2. Hoist up the projector.
 3. To adjust the vertical or horizontal position of the projector, extend or retract the adjustable feet on the bottom of the projector (A).



- Once the required adjustment is made, tighten the lock nut against the bottom of the projector (B).

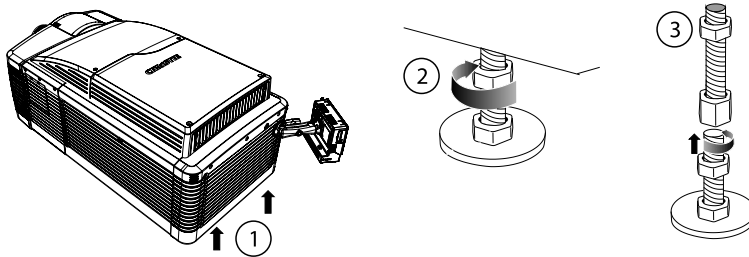
The projector provides 27 mm of adjustment at the front and at the rear.

- If the vertical or horizontal position of the projector requires more adjustment than the standard feet allow, two 6-inch extension rods can be installed to increase the amount of available adjustment.

Installing the foot extension rods

Increase the height of the projector with foot extension rods.

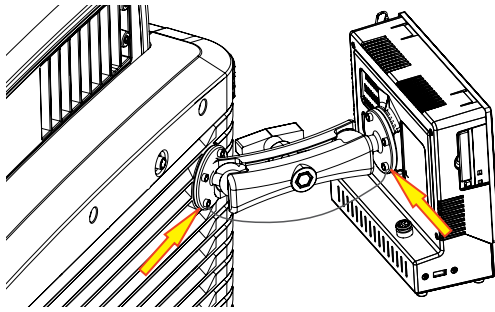
- Elevate the rear of the projector to access the two rear feet.
- Remove the feet by loosening the lock nut and rotating the each foot out of the projector.
- Add the extension rods to the standard feet.
- Thread the extended feet into the projector's baseplate.
- Adjust the feet until the required tilt is achieved.
- Lock the feet in place by turning each lock nut until it fits tight against the projector.



Installing the touch panel controller

The touch panel controller (TPC) is a touch-sensitive screen. Use the touch panel controller to control the projector, manage sources, adjust the display, and view status information.

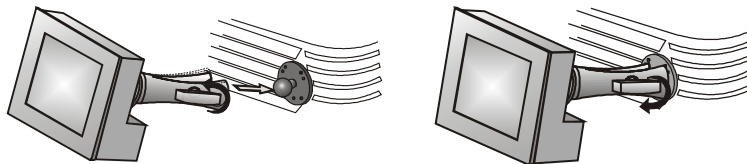
- Loosen the mounting arm just enough for the end to fit over the ball joint located on the rear panel of the projector. The touch panel controller becomes loose from the mounting arm when the mounting arm lock is loosened.
- Tighten the mounting arm lock until it fits tightly on the joint.
- Remove one of the M4 screws on the ball joint attached to the TPC.



4. Fasten the end of the touch panel controller safety strap attached to the ball joint on the projector to the touch panel controller ball joint using the M4 screw removed in the previous step.

The touch panel controller safety strap comes installed on the projector ball point.

5. Connect the cable from the touch panel controller to the connector on the rear panel of the projector.
6. Adjust the touch panel controller angle for optimal viewing, then tighten the mounting arm lock securely so that the touch panel controller is held in place at the required location.



Connecting external exhaust ducting (optional)

Connect exhaust ducting to the low profile extractor located on top of the rear of the projector to extract hot air from the lamp compartment and exhaust it out of the rear of the projector.

External exhaust ducting can be connected to remove hot air from the projector by installing the optional Ducted Exhaust Kit (P/N: 113-107109-XX).

Removing the projector shroud (optional)

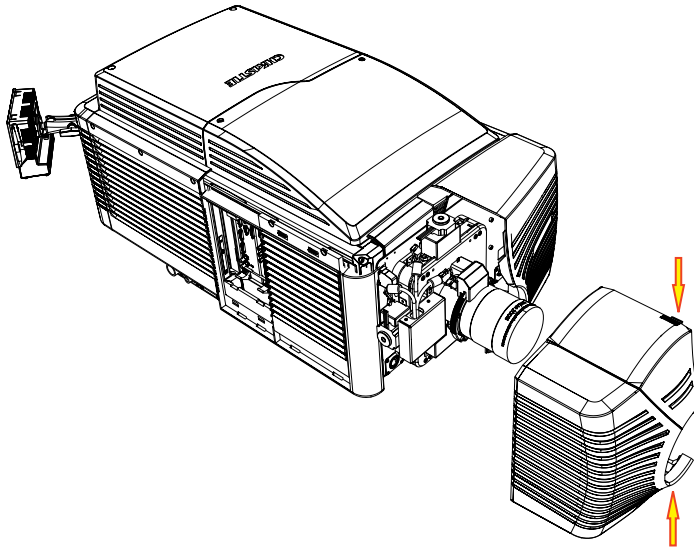
The lens side shroud must be removed to gain access to the lens. The other shroud must be removed when connecting the AC power cord into the front face of the projector.



Warning! Failure to comply with the following could result in death or serious injury.

- Do not install the shroud for overhead installations.

1. Use finger pressure to push down on the shroud clips located at the top and bottom of the shroud as shown by the arrows.
2. Carefully slide the shroud sideways and forward away from the lens mount and lens.



3. Place the shroud covers on a clean surface to prevent scratches.

Setting up the lens

Only use lenses designed for Roadie 4K45 projectors.



Warning! Failure to comply with the following could result in death or serious injury.

- Keep fingers and other body parts away from the moving parts in the product. Tie back long hair, and remove jewelry and loose clothing before manually adjusting the product.
- The lens safety cable provided with the lens or service kit must be installed for overhead installations.



Notice. Failure to comply with the following may result in property damage.

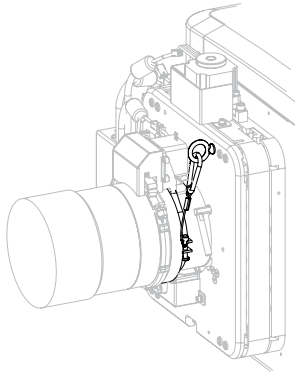
- Do not operate the product without a lens installed.

1. Remove the projector shroud (on page 24).
2. Make sure the lens locking lever is in the up position.
3. If attached, remove the rear lens cap from the lens.
4. Slide the lens into the lens mount, aligning all connections.

Always install the lens with UP label in the top position to achieve consistent boresight alignment each time the lens is replaced.

5. Secure the lens with the lens locking lever (down position).
6. Install the lens safety cable clamp and eyebolt.
7. Install the lens safety cable.

The lens safety cable is attached between the ring clamp on the lens and the eyebolt by clipping the snap spring to the eyebolt.

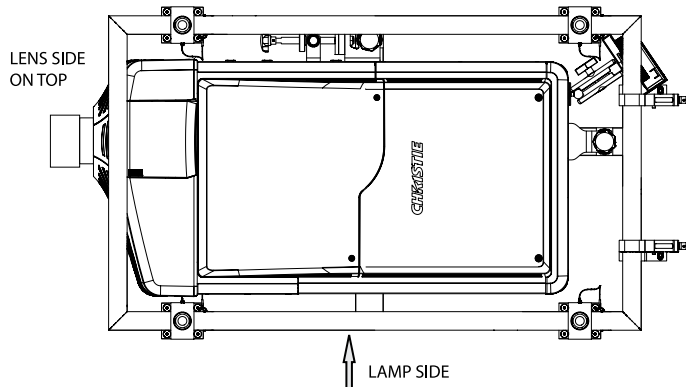


8. Calibrate the lens motors.

Orienting the projector in portrait mode

Change the orientation of the projector to portrait.

1. Install the projector in the Roadie 4K frame (P/N: 129-115108-XX) according to the installation instructions provided with the frame.
2. Orient the projector in the frame with the lamp door facing downward (as shown). The maximum tilt angle is ± 15 degrees.



3. Perform a lamp alignment.

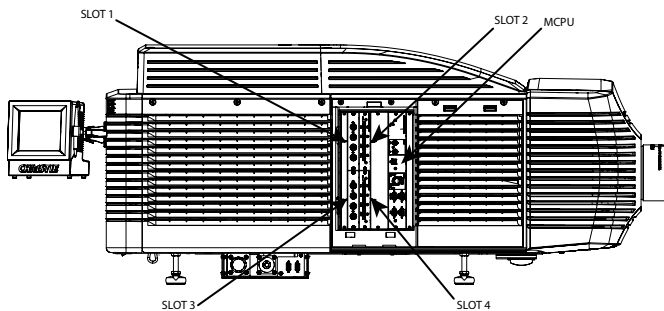
Do not transfer the projector in portrait mode orientation. Return the projector to landscape orientation before moving.

Connecting devices

Learn the information and procedures for connecting external devices to the projector.

Communication and input ports are located on the projector side input panel. When connecting devices, you can route cables through the opening in the frame to the side input panel or directly to the video option cards and MCPU. The image below shows the video option card slot numbers and the MCPU panel.

Input signal devices are connected to the video option cards and the option card slot numbers are important for some types of input signals. Communication devices are connected at the MCPU panel.



Input video mapping

Video input mapping depends on the type of cards used for the Four-Port or Two-Port input configurations.

Four-Port: 3GIC, TDPIC, THIC cards

View the video quadrant mappings for the 3GIC, TDPIC, and THIC Four-Port input configurations.

Four-Port input configuration—Two cards (1)		Quadrant	Columns
Slot 1	1-In	Top left	1 (left most)
Slot 1	2-In	Bottom left	2
Slot 2	1-In	Top right	3
Slot 2	2-In	Bottom right	4
Four-Port input configuration—Two cards (2)		Quadrant	Columns
Slot 3	1-In	Top left	1 (left most)
Slot 3	2-In	Bottom left	2

Slot 4	1-In	Top right	3
Slot 4	2-In	Bottom right	4
Four-Port input configuration—Four cards		Quadrants	Columns
Slot 1	1-In	Top left	1 (left most)
Slot 2	1-In	Top right	2
Slot 3	1-In	Bottom left	3
Slot 4	1-In	Bottom right	4

Four-Port: DDIC card

View the video quadrant mappings for the DDIC Four-Port input configuration.

Four-Port input configuration		Quadrants	Columns
Slot 1	1-Dual Link DVI-I	Top left	1 (left most)
Slot 2	1-Dual Link DVI-I	Top right	2
Slot 3	1-Dual Link DVI-I	Bottom left	3
Slot 4	1-Dual Link DVI-I	Bottom right	4

Two-Port: TDPIC card

View the video quadrant mappings for the TDPIC Two-Port input configuration.

Two-Port input configuration—Two cards (1)		Columns
Slot 1	1-In	1 (left most)
Slot 2	1-In	2
Two-Port input configuration		Columns
Slot 3	1-In	1 (left most)
Slot 4	1-In	2

Two-Port: DDIC card

View the video quadrant mappings for the DDIC Two-Port input configuration.

Two-Port input configuration—Two cards (1)		Columns
Slot 1	1-Dual Link DVI-I	1 (left most)
Slot 2	1-Dual Link DVI-I	2
Two-Port input configuration—Two cards (2)		Columns
Slot 3	1-Dual Link DVI-I	1 (left most)
Slot 4	1-Dual Link DVI-I	2

Connecting a video source using DisplayPort

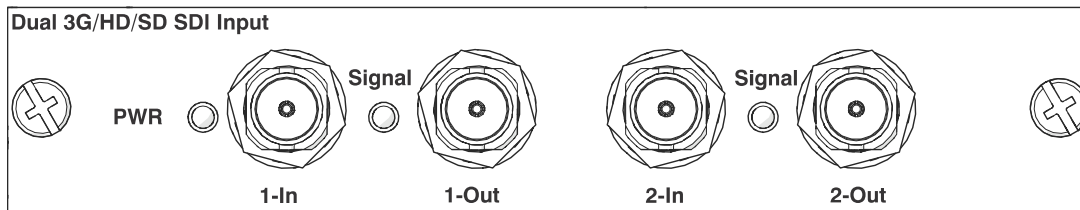
The Twin DisplayPort input card (TDPIC) accepts digital video data from the DisplayPort sources.

Connecting a video source using 3G input card

The 3G input card (3GIC) accepts digital video data from HD and 3G-SDI (Serial Digital Interface) sources.

The input configurations listed below are supported.

Input configuration	Description	Requirements
Four-Port	Enables connection of four SDI cables to two 3GIC cards. Each SDI input supplies one quadrant or column of a 4K input image. This configuration supports high resolution and high frame rate input video streams.	Two 3GIC cards
One-Port	Enables connection of one SDI cable to the 1-IN input of a 3GIC card (in any slot). In this configuration the SDI input supplies the entire video raster.	One 3GIC card

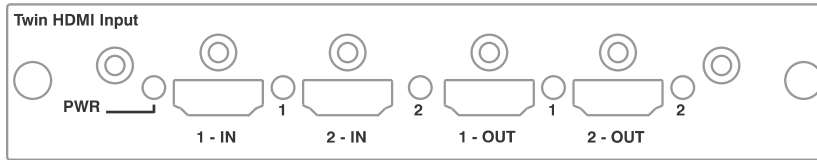


Connecting a video source using HDMI

The Twin HDMI input card (THIC) accepts digital video data from HDMI sources.

The input configurations listed below are supported.

Input configuration	Description	Requirements
Four-Port	Enables connection of four HDMI cables to two THIC cards. Each HDMI input supplies one quadrant or column of a 4K input image. This configuration supports high resolution and high frame rate input video streams.	Two THIC cards
One-Port	Enables connection of one HDMI cable to the 1-IN input of a THIC card (in any slot). In this configuration, the HDMI input supplies the entire video raster.	One THIC card

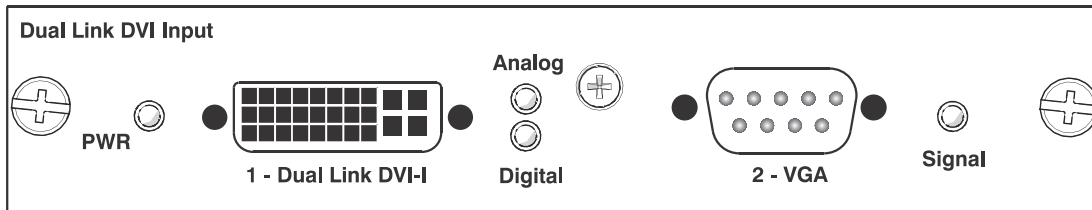


Connecting a video source using DVI

The Dual Link DVI input card (DDIC) accepts digital video source from DVI sources. It does not support incoming analog signals.

The port configurations listed below are supported.

Input configuration	Description	Requirements
Four-Port	Enables connection of four DVI cables to four DDIC cards. Each DVI input supplies one quadrant or column of a 4K input image. This configuration supports high resolution and high frame rate input video streams.	Four DDIC cards
Two Port	Enables connection of two DVI cables to two DDIC cards. Each DVI input supplies one of two columns of a 4K image.	Two DDIC cards
One-Port	Enables connection of one DVI cable to the DVI input of a DDIC card (in any slot). In this configuration, the DVI input supplies the entire video raster.	One DDIC card



Selecting a video source

After connecting a video source to the projector, you must select it using the touch panel controller (TPC).

1. On the touch panel controller, select **Input > Channel**.
2. Scroll the list of channels until you find the channel that best matches your configuration.
3. Tap the channel.

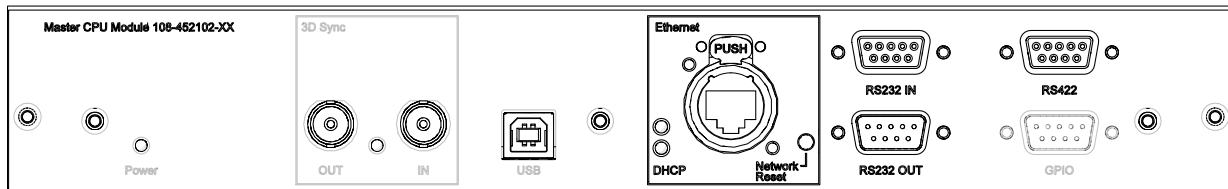
An image appears on the screen. If an image does not appear on the screen, repeat steps 1 to 3, selecting a different channel.

Connecting to a computer or server

Communicate with a remote computer, server, or an existing network using a RJ-45 cable.

The RS232 port located on the MCPU faceplate uses Christie-proprietary protocol and is intended for Christie accessories or automation controllers only.

For more information, on the serial commands, see the *Roadie 4K Serial API Commands Technical Reference* (P/N: 020-101691-XX).



1. Use an RJ-45 cable to connect the Ethernet hub or switch to the Ethernet port, located on the projector MCPU faceplate.
2. When using the Christie serial protocol over Ethernet, connect to port 3002.
3. For applications or equipment using serial communications, use the Christie-proprietary serial protocol to communicate with the RS422 port or the RS232 ports on the MCPU faceplate.

Setting up Ethernet

Ethernet is setup to obtain an IP address automatically if a DHCP server is on the network. To modify IP settings, or manually enter an address.

1. On the touch panel controller, tap **Menu > Configuration > Ethernet Settings > Modify IP Settings**.
2. Set the network information for the projector
 - To obtain information automatically from the network, tap **Automatic**.
 - To manually enter the network information, tap **Manual** and enter the **IP Address**, **Subnet Mask**, and **Gateway** (optional).
3. Click **Ok**.

Operation

Learn how to operate the projector.

Projector LED status indicators

Identify the LED state colors and meaning.

LED	State	Description
Solid Green	On	Video electronics are on, the lamp is on.
Solid Yellow	Standby mode	Video electronics are off, lamp is off.
Solid Green, Yellow and Red	AC is on	MCPU board software has not started initialization.
Flashing Green	Warm up	Video electronics are initializing, lamp is striking and warming up.
Flashing Yellow	Cool down	Lamp is off, video electronics and lamp are cooling down.
Flashing Red	Alarm or warning preset	Problem with the projector must be addressed.
Flashing Green and Yellow	AC on to standby	MCPU board software has started initialization.

Turning the projector on

When the projector AC power supply is plugged in, the power is on.



Warning! Failure to comply with the following could result in death or serious injury.

- SHOCK HAZARD! Do not attempt operation if the AC supply is not within the specified voltage and power range, as specified on the license label.

1. Set all the breaker switches on the lamp power supply to their on positions.
2. Set the breaker switch on the projector baseplate to the on position.
3. When the projector reaches standby, on the touch panel controller, tap **Home** > **Power**.

LED expected behavior on power up

Learn the expected behavior of the projector LED and the MCPU board power LED on power up.

Action/Event	Projector LEDs	MCPU board power LED
Applying AC power to the projector head	Solid red Solid green Solid yellow	Yellow
Within the first second	Solid red Solid green Solid yellow	Blinking green
At approximately 30 seconds	Off red Blinking green Blinking yellow	Blinking green
At approximately 50 seconds	Off/blinking red Solid yellow Off green	Solid green

At approximately one minute and 15 seconds, the touch panel controller indicates that it is connected and shows the home page.

Turning the projector off

When powering off in preparation for inspection or maintenance, always disconnect from AC to the off position.

1. On the touch panel controller, tap the **Home** tab.
2. Tap **Power**.

Specifications

Learn about the product specifications. Due to continuing research, specifications are subject to change without notice.

Display

Learn about the display specifications.

Panel resolution and refresh rate	
Pixel format (H x V square pixels)	4096 x 2160
Processing path	23.97 - 60 Hz

Achievable brightness (measured at screen center)—Nominal	
2.0 kW (CDXL-20)	10,000 lumens
2.0 kW (CDXL-20SP)	10,000 lumens
3.0 kW (CDXL-30)	18,000 lumens
3.0 kW (CDXL-30SP)	19,000 lumens
4.5 kW (CDXL-45)	22,000 lumens
6.0 kW (CDXL-60)	35,000 lumens
7.0 kW (CDXL-70)	45,000 lumens

Cable length	Brightness loss
25 ft (7.5 m)	1.0%
50 ft (15 m)	2.8%
100 ft (30 m)	7.0%

NOTE: Brightness loss up to 7% with the use of longer ballast cables kits (Ballast cable kit 25 ft—P/N: 38-814004-XX, Ballast cable kit 50 ft—P/N: 38-814005-XX, and Ballast cable kit 100 ft—P/N: 38-814006-XX).

Achievable contrast ratio
450:1 ANSI, up to 2000:1 Full Frame ON/OFF

Color and grayscale resolution	
Displayable colors	35.2 trillion

Color and grayscale resolution

Grayscale resolution	45 bits total linear, 25 bits per RGB component
----------------------	---

White point

Nominal white (full white, after calibration)	y = 0.351 ± 0.002
	x = 0.314 ± 0.002

Gamma

Nominal

Optional input cards

Learn about the input cards that may be used with the projector.

Input card	Part number	Additional information
Dual 3G SD/HD-SDI	108-313101-02+	
Dual Link DVI (DDIC)	108-312101-02+	Analog signals are not supported for this input card; therefore VGA port and VGA to DVI converters are not supported.
Twin HDMI (THIC)	108-311101-XX	
Twin DisplayPort (TDPIC)	108-451101-XX	

Control signal compatibility

Identify the control signal compatibility specifications.

Ethernet port

Interface	10Base-T/100Base-TX
Connector	Female RJ-45

USB

Connector	Type B
Interface	USB to serial (bit rate identical to RS232)

3D sync

Connector	BNC Male
Interface	TTL inputs and outputs

RS422

Connector	9-pin subminiature D, female
-----------	------------------------------

RS422	
Bit rate	115,200 bps
Data format	1 start bit, 8 data bits, 1 stop bit, no parity

RS232 IN	
Connector	9-pin subminiature D, female
Bit rate	115,200 bps
Data format	1 start bit, 8 data bits, 1 stop bit, no parity

RS232 OUT	
Connector	9-pin subminiature D, male
Bit rate	115,200 bps
Data format	1 start bit, 8 data bits, 1 stop bit, no parity

Lamp power supply (LPS)	
Control port	
Interface	RS232
Connector at lamp power supply end	9-pin subminiature D, male
Interlock port	
Interface	+5V TTL-compatible, opto-isolated at LPS end
Connector at lamp power supply end	9-pin subminiature D, female
Number and type of signals	1 - lamp enable (low = enable lamp) 3 - safety interlock (high = disable lamp) 1 - +5V to power opto-isolation interface

Temperature sensor thresholds

The projector shutdowns within one minute of an error threshold being reached.

Location	Warning (°C)	Error (°C)	Remarks
Integrator rod	110	120	
Prism	60	70	
Air intake	62	67	
Lamp exhaust	95	N/A	
MCPU	70	95	
ABP	82	95	
Extractor thermostat	N/A	105	

Location	Warning (°C)	Error (°C)	Remarks
HIP scaler	82	95	
HIP warp red	82	95	
HIP warp green	82	95	
HIP warp blue	82	95	
Formatter red	82	95	
DMD red	65	70	
Formatter green	82	95	
DMD green	65	70	
Formatter blue	82	95	
DMD blue	65	70	
Option card 1	80	95	
Option card 2	80	95	
Option card 3	80	95	
Option card 4	80	95	
EVB primary	70	95	
EVB secondary	70	95	

Warning thresholds for fans

Learn the warning thresholds (in RPMs) for each fan. All fan warnings are set to ~75% of their normal operating speeds.

Location	Warning RPM
Light engine intake (fan 5)	3500
Light engine intake (fan 6)	3500
Light engine intake (fan 7)	3500
Light engine intake (fan 8)	3500
Formatter—green blower (fan 15)	3500
Laminar airflow device (fan 4)	5900
Electronics intake (fan 10)	5700
Electronics intake (fan 11)	5700
Electronics intake (fan 12)	5700
Image processor warp blower (fan 9)	2400
Electronics exhaust (fan 1)	3400

Location	Warning RPM
Electronics exhaust (fan 2)	3400
Liquid cooling radiator (fan 3)	1800
Image processor scaler (fan 13)	5100
Liquid cooling pump (fan 14)	No software feedback
Igniter (fan 16)	6000
IMCB (fan 18)	6000
Red FPGA blower fan (fan 19)	4800
Firewall fan (fan 20)	3300

Warning threshold for liquid cooling module

Learn the warning thresholds (in RPMs) for the liquid cooling components.

Location	Warning
Flow meter	0.2 mL/min
Liquid cooling pump	180 RPM

Touch panel controller

Review the specifications of the touch panel controller.

Touch panel controller 650H	
Type of display	Color VGA TFT LCD, backlit
Display size	144.8 mm (5.7 inches) diagonal
Display resolution (H x V pixels)	640 x 480
Maximum dimensions (W x H x D)	195 mm x 148 mm x 58 mm
Integrated operating system	Microsoft Windows® XPe
Communication interface with projector	10/100/1000 BaseT Ethernet
Power requirement	0.71A maximum at 24VDC ± 10%
Interface connector	12-pin circular connector (push-pull)

Power requirements

Learn the power requirements for the projector.

Projection head
AC input

Projection head	
Rated input voltage	200 - 240 VAC
Rated line frequency	50 - 60 Hz nominal
Inrush current	70 A maximum
Rated current	7 A maximum (at 200 VAC)
Power consumption	1400 W maximum
Recommended circuit breaker for installation (wall breaker)	15 A

Lamp Power Supply power specifications

Learn the lamp power supply power requirements for the projector.

8 kW Lamp Power Supply	
Rated input voltage	Low line: 200 - 230 VAC High line: 380 - 415 VAC
Number of phases	3
Rated Line frequency	50 - 60 Hz nominal
Inrush current	120 A maximum
Rated Current per phase	Low line: 39 A maximum High line: 26 A maximum
Lamp power supply output to projection head	
Operating voltage range	15 - 46 VDC
Start-up voltage (open current)	125 - 155 VDC
Operating current range	50 - 200 A
Connector type	Advanced Devices CL Series 400A, 600V Recommended circuit breaker for installation (wall breaker)—50A low line, 30A high line
Lamp power supply power receptacle output	
Operating voltage range	200 - 230 VAC
Output	10A

Lamp

Review the projection lamp specifications.

8kW Lamp Power Supply	
Type	Xenon bubble
CDXL-20	1000W min., 2000W nom., 2200W max.

8kW Lamp Power Supply	
CDXL-20SP	1400W - 2000W
CDXL-30	2000W min., 3000W nom., 3300W max.
CDXL-30SP	2100W - 3000W
CDXL-45	2300W min., 4500W nom., 4950W max.
CDXL-45SP	2300W min., 4500W nom., 4950W max.
CDXL-60	2750W min., 6000W nom., 6600W max.
CDXL-60SP	2750W min., 6000W nom., 6600W max.
CDXL-70	2750W min., 7700W nom., 8000W max
<p>NOTE: The lamp power supply is current regulated to a maximum of 200 A. Therefore the maximum power specification for a given lamp may not be achievable until the lamp has aged, as lamp voltage increases with hours of use. The maximum power of the lamp power supply is restricted to 8000 W ± 100 W.</p>	
Average life	
CDXL-20	2400 hours
CDXL-20SP	3200 hours
CDXL-30	1500 hours
CDXL-30SP	1900 hours
CDXL-45	1000 hours
CDXL-45SP	1300 hours
CDXL-60	600 hours
CDXL-60SP	800 hours
CDXL-70	250 hours
Wait time between lamp strikes	2 minutes minimum
<p>NOTE: Projectors typically force a 10 minute cool down period. Make sure not to re-strike the lamp any sooner than two minutes into this cool down period since hot re-strikes reduce lamp life.</p>	

Physical specifications

Learn the dimensions and weight of the projector.

Description	Dimensions
Overall size (L x W x H) (including lens mount and feet)	1225 x 695 x 620 (mm) 48.2 x 27.4 x 24.4 (inches)
LPS size (L x W x H)	542.0 x 445.1 x 531.6 (mm) 21.3 x 17.5 x 20.9 (inches)
Projector head weight	
Without lens mount cover	134 kg (295 lbs)

Description	Dimensions
Shipping (includes packaging)	169 kg (372 lbs)
With lens mount cover	As installed: 137 kg (302 lbs)
LPS weight	As installed: 52 kg (113 lbs) As shipped with packaging: 72 kg (157 lbs)
Operating position	
Rotation about projection axis	+90 degrees maximum (lamp door down), -15 degrees maximum
Tilt of projection axis from horizontal (upright mode and portrait mode)	±15 degrees maximum

Regulatory

This product conforms to the following regulations related to product safety, environmental requirements and electromagnetic compatibility (EMC).

Safety

- CAN/CSA C22.2 No. 60950-1
- ANSI/UL 60950-1
- IEC 60950-1
- EN 60950-1
- IEC 62471-1

Approvals

This product is designed and built to comply with all relevant directives, standards, safety, health and environmental rules and regulations required for the product to be sold in: USA/Canada, EU, Norway, Australia/New Zealand, Kuwait, China, Korea, Japan, Mexico, Ukraine, Russia, India, Argentina, Brazil, Singapore, South Africa, and Saudi Arabia.

International packaging recycling mark requirements.

- EU Directive (94/62/EC) on packaging and packaging waste;
- China packaging recycling mark standard (GB18455-2001).

Electro-magnetic compatibility

Emissions

FCC CFR47, Part 15, Subpart B, Class A

CAN ICES-3 (A) / NMB-3 (A)

CISPR 22/EN 55022, Class A

- IEC 61000-3-2/EN61000-3-2

Immunity

CISPR 24/EN55024

- IEC 61000-3-3/EN61000-3-3

Environmental

EU Directive (2011/65/EU) on the restriction of the uses of certain hazardous substances (RoHS) in electrical and electronic equipment and the applicable official amendment(s).

EU Regulation (EC) No. 1907/2006 on the registration, evaluation, authorization and restriction of chemicals (REACH) and the applicable official amendment(s).

EU Directive (2012/19/EU) on waste and electrical and electronic equipment (WEEE) and the applicable official amendment(s).

China Ministry of Information Industry Order No.39 (02/2006) on the control of pollution caused by electronic information products, hazardous substances concentration limits (SJ/T11363-2006), and the applicable product marking requirements (SJ/T11364-2006).

Accessories

Standard (Included with product)	
Lens plug (required for shipping when lens is not installed to prevent contamination of critical optical components)	
Nylon safety strap with clip (required to secure projector to tabletop)	
Touch panel controller (TPC) with interface cable	Low security keys
Light engine removal tool	Convergence tools
Warranty card	Web registration form

Lenses (sold separately)	
Description	Part number
Lens 0.72:1	113-104106-XX
Lens 0.9:1	38-809071-XX
Lens 1.13-1.31:1	129-104106-XX
Lens 1.31-1.63:1	129-105107-XX
Lens 1.63-2.17:1	129-106108-XX
Lens 1.98-2.71:1	129-107109-XX
Lens 2.71-3.89:1	129-108100-XX
Lens 3.89-5.43:1	129-109101-XX
Lens 5.0-7.69:1	129-110103-XX
Note: The lens throw values in the lens name may differ from the actual throw ratios. For details, see the 4K Lens Throw Technical Reference (P/N: 020-100904-XX).	

Replacement Lamps (sold separately)	
Description	Part number
CDXL-20	003-000598-02
CDXL-30	003-000599-02
CDXL-45	003-000600-02
CDXL45-LT	003-000600-03
CDXL45SP-LT	003-004253-XX
CDXL-60	003-000601-02
CDXL60-LT	003-000601-03
CDXL60SP-LT	003-004254-XX
CDXL70-LT	003-005087-XX

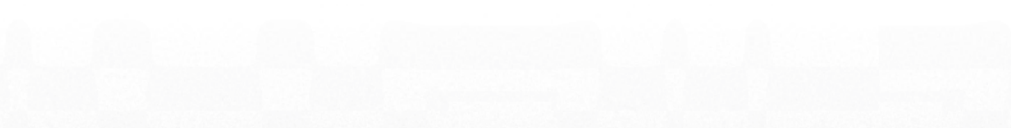
Replacement air filters (sold separately)	
Description	Part number
LAD filter (three-pack)	003-001982-51P
Intake light engine air filter	003-005010-XX

Other accessories (sold separately)	
Description	Part number
High-contrast Internal Aperture kit	38-813028-51
Service Manual	available online
Firmware Installation program	available online
Coolant propylene glycol 740	003-005179-XX
Touch panel controller remote cable	003-111169-XX
Heat extractor kit	38-814008-61
Roadie ducted exhaust kit	113-107109-XX
Roadie 4K frame	129-115108-XX
Ballast cable kit 25'	38-814004-XX
Ballast cable kit 50'	38-814005-XX
Ballast cable kit 100'	38-814006-XX
Front shroud	129-112105-XX

Signal connectivity

Identify the signal connectivity specifications.

Input config.	Input format	Frame rate (Hz)	Interface	Cards	Cables	RGB / 4:4:4 8-bit	RGB / 4:4:4 10-bit	RGB / 4:4:4 12-bit	4:2:2 8-bit	4:2:2 10-bit	4:2:2 12-bit
Four-port	4K, QHD	24, 25, 30, 48, 50, 60	DisplayPort 1.1a	2x TDPIC	4	X	X		X	X	X
Two-port	4K, QHD	24, 25, 30, 48, 50, 60	DisplayPort 1.1a	2x TDPIC	2	X	X				
Four-port	4K, QHD	24, 25, 30, 48, 50, 60	HDMI 1.4a	2x THIC	4	X	X	X	X	X	X
Four-port	4K, QHD	24, 25, 30, 48, 50, 60	3G-SDI	2x 3GIC	4					X	
Two-port	4K, QHD	24, 25, 30, 48, 50, 60	DVI (Dual)	2x DDIC	2	X					
Four-port	4K, QHD	24, 25, 30, 48, 50, 60	DVI (Single)	4x DDIC	4	X					
Two-port	4K, QHD	24, 25, 30	DVI (Single)	2x DDIC	2	X					
One-port	2K, HD	24, 25, 30, 48, 50, 60	DisplayPort 1.1a	1x TDPIC	1	X	X		X	X	X
One-port	2K, HD	24, 25, 30, 48, 50, 60	HDMI 1.4a	1x THIC	1	X	X	X	X	X	X
One-port	2K, HD	24, 25, 30	3G-SDI	1x 3GIC	1	X	X	X	X	X	X
One-port	2K, HD	48, 50, 60	3G-SDI	1x 3GIC	1					X	
One-port	2K, HD	24, 25, 30, 48, 50, 60	DVI (Single)	1x DDIC	1	X					



Corporate offices

USA – Cypress
ph: 714-236-8610

Canada – Kitchener
ph: 519-744-8005

Consultant offices

Italy
ph: +39 (0) 2 9902 1161

Worldwide offices

Australia
ph: +61 (0) 7 3624 4888

Brazil
ph: +55 (11) 2548 4753

China (Beijing)
ph: +86 10 6561 0240

China (Shanghai)
ph: +86 21 6278 7708

Eastern Europe and
Russian Federation
ph: +36 (0) 1 47 48 100

France
ph: +33 (0) 1 41 21 44 04

Germany
ph: +49 2161 664540

India
ph: +91 (080) 6708 9999

Japan (Tokyo)
ph: 81 3 3599 7481

Korea (Seoul)
ph: +82 2 702 1601

Republic of South Africa
ph: +27 (0)11 510 0094

Singapore
ph: +65 6877-8737

Spain
ph: +34 91 633 9990

United Arab Emirates
ph: +971 4 3206688

United Kingdom
ph: +44 (0) 118 977 8000