

Light Engine Duct Upgrade Instruction Sheet

This document provides procedures to install a light engine duct upgrade kit in Christie CP4220 and CP4230 projectors. The light engine duct upgrade kit improves light engine cooling.

Safety Precautions



ELECTRICAL SHOCK HAZARD! Always turn off, disconnect, and disengage all power sources to the projector before servicing. Failure to comply results in death or serious injury.



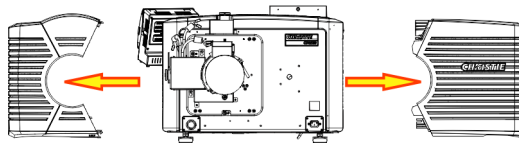
Only Christie accredited service technicians are permitted to open any enclosure on the projector and only if the AC power has been fully disconnected. Failure to comply could result in minor or moderate injury.

Prerequisites

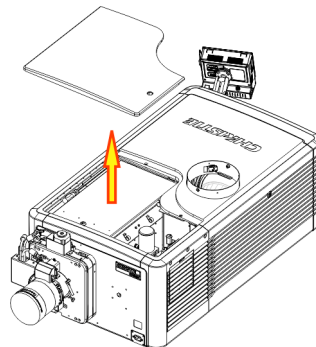
- Light engine duct upgrade kit (003-004777-XX)

Remove the Lids and Access Panels

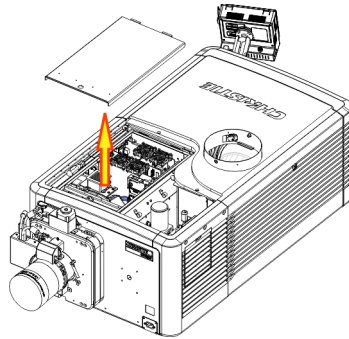
1. Turn the lamp off and allow it to cool for a minimum of 15 minutes.
2. Turn the projector off and disconnect it from AC power.
3. Remove and set aside the front shroud (if installed).



4. Unlock, remove, and set aside the top lid.

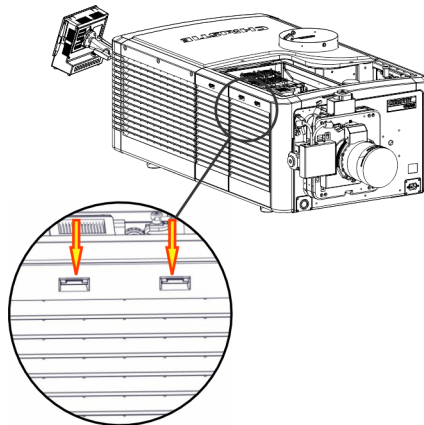


5. Unlock, remove, and set aside the high security lid.

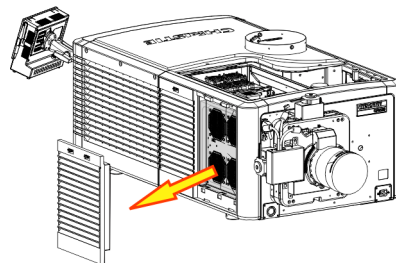


6. Remove the light engine air filter cover:

a. Press down on the 2 tabs on the top of the cover.

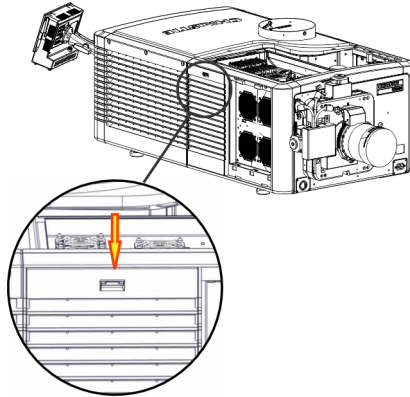


b. Lift the cover and air filter up and away from the projector and set them aside.

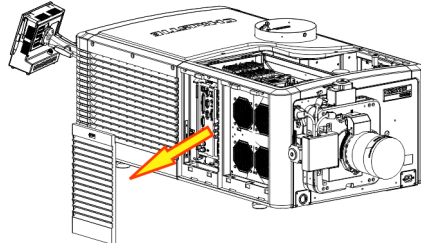


7. Remove the PIB/ICP cover:

- a. Press down on the tab on the top of the cover.

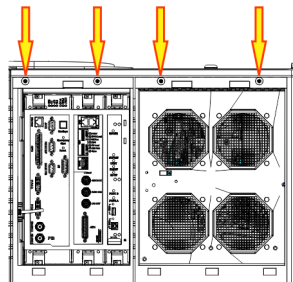


- b. Lift the cover up and away from the projector and set it aside.

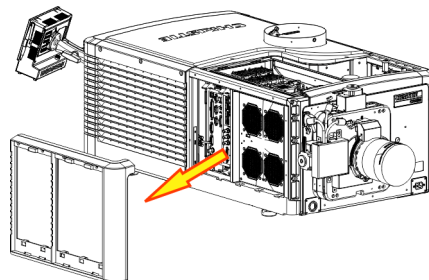


8. Remove the access panel frame:

- a. Remove and set aside the 4 screws securing the access panel frame to the projector chassis.

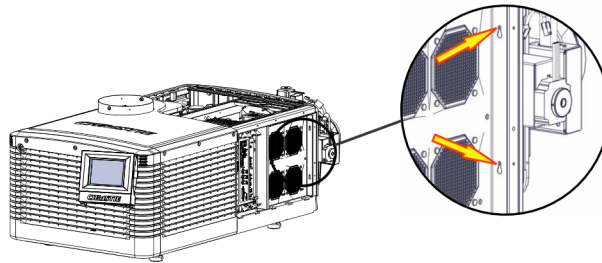


- b. Tilt the access panel frame outward from the top, remove it, and set it aside.

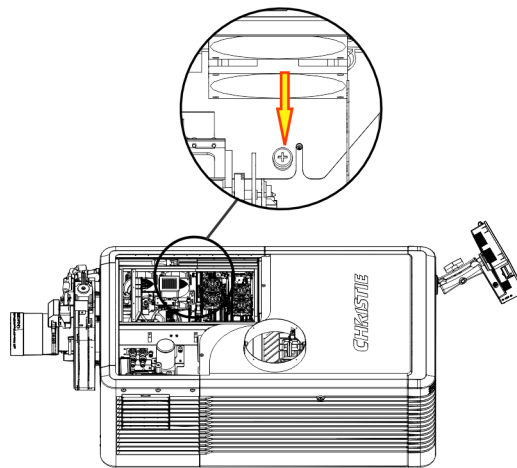


9. Remove the light engine fan pack:

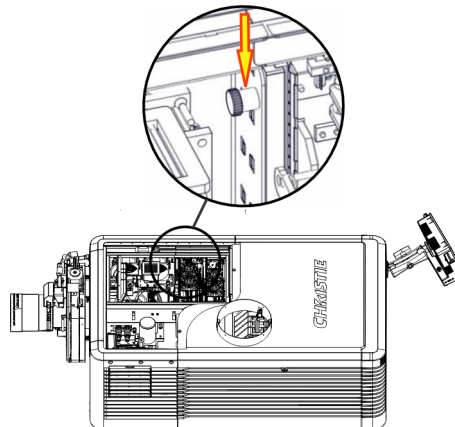
a. Remove the 2 screws securing the fan pack to the projector frame.



b. Reach into the projector and loosen the thumbscrew at the bottom of the fan pack.



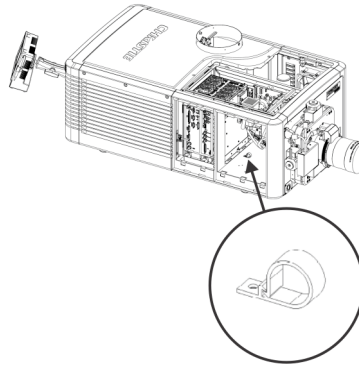
c. Reach into the projector pull the quick release at the top of the fan pack.



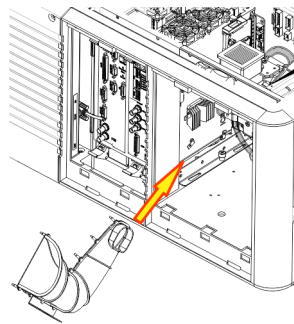
d. Disconnect the 4 fan harness connectors, pull the fan pack out of the projector, and set it aside.

Install the Duct

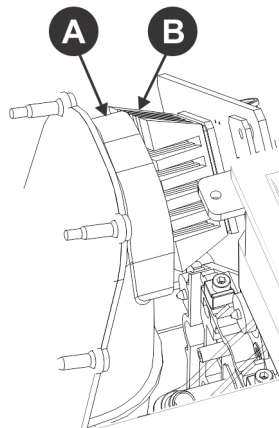
1. Remove the bolt securing the P-clip to the projector chassis and set it aside. You will reuse the bolt in step 6 to secure the duct to the projector.



2. Remove the harness from the P-clip and set the P-clip aside.
3. Insert the duct into the projector through the light engine fan pack opening on an angle so it fits behind the black LVDS harnesses.

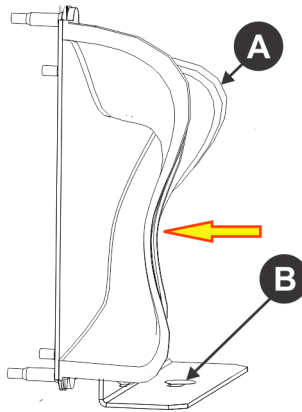


4. Align the top duct opening (A) with the green satellite board FGPA heat sink (B).



The duct is aligned correctly when the mounting hole in the duct baseplate aligns with the hole to which the P-clip was secured.

5. Compress the silicone on the duct (A) with your hand until the mounting hole on the baseplate (B) is visible.



6. Hold the duct in position and insert the bolt removed in step 1 in the mounting hole and tighten it.

Reassemble the Projector

1. Insert the light engine fan pack into the fan pack opening and connect the 4 harness connectors.
2. Push the light engine fan pack into the projector and tighten the thumbscrew at the bottom of the fan pack.
3. Install the 2 screws that secure the fan pack to the projector frame.
4. Insert the access panel frame and secure it with 4 screws.
5. Install the PIB/ICP cover.
6. Install the light engine air filter cover.
7. Install and lock the high security lid.
8. Install and lock the top lid.
9. Install the front shroud (if installed).
10. Connect the projector to AC power and turn it on.

Technical Support

North and South America: +1-800-221-8025 or tech-support@christiedigital.com

Europe, Middle East, and Africa: +44 (0) 1189 778111 or techsupport-emea@christiedigital.com

Asia Pacific: tech-asia@christiedigital.com

Christie Managed Services: +1-800-550-3061 or NOC@christiedigital.com