

D4K3560

User Manual

020-101075-06

D4K3560

User Manual

020-101075-06

NOTICES

COPYRIGHT AND TRADEMARKS

Copyright © 2015 Christie Digital Systems USA Inc. All rights reserved.

All brand names and product names are trademarks, registered trademarks or trade names of their respective holders.

GENERAL

Every effort has been made to ensure accuracy, however in some cases changes in the products or availability could occur which may not be reflected in this document. Christie reserves the right to make changes to specifications at any time without notice. Performance specifications are typical, but may vary depending on conditions beyond Christie's control such as maintenance of the product in proper working conditions. Performance specifications are based on information available at the time of printing. Christie makes no warranty of any kind with regard to this material, including, but not limited to, implied warranties of fitness for a particular purpose. Christie will not be liable for errors contained herein or for incidental or consequential damages in connection with the performance or use of this material. Canadian manufacturing facility is ISO 9001 and 14001 certified.

WARRANTY

Products are warranted under Christie's standard limited warranty, the complete details of which are available by contacting your Christie dealer or Christie. In addition to the other limitations that may be specified in Christie's standard limited warranty and, to the extent relevant or applicable to your product, the warranty does not cover:

- a. Problems or damage occurring during shipment, in either direction.
- b. Projector lamps (See Christie's separate lamp program policy).
- c. Problems or damage caused by use of a projector lamp beyond the recommended lamp life, or use of a lamp other than a Christie lamp supplied by Christie or an authorized distributor of Christie lamps.
- d. Problems or damage caused by combination of a product with non-Christie equipment, such as distribution systems, cameras, DVD players, etc., or use of a product with any non-Christie interface device.
- e. Problems or damage caused by the use of any lamp, replacement part or component purchased or obtained from an unauthorized distributor of Christie lamps, replacement parts or components including, without limitation, any distributor offering Christie lamps, replacement parts or components through the internet (confirmation of authorized distributors may be obtained from Christie).
- f. Problems or damage caused by misuse, improper power source, accident, fire, flood, lightning, earthquake or other natural disaster.
- g. Problems or damage caused by improper installation/alignment, or by equipment modification, if by other than Christie service personnel or a Christie authorized repair service provider.
- h. Problems or damage caused by use of a product on a motion platform or other movable device where such product has not been designed, modified or approved by Christie for such use.
- i. Problems or damage caused by use of a projector in the presence of an oil-based fog machine or laser-based lighting that is unrelated to the projector.
- j. For LCD projectors, the warranty period specified in the warranty applies only where the LCD projector is in "normal use" which means the LCD projector is not used more than 8 hours a day, 5 days a week.
- k. Except where the product is designed for outdoor use, problems or damage caused by use of the product outdoors unless such product is protected from precipitation or other adverse weather or environmental conditions and the ambient temperature is within the recommended ambient temperature set forth in the specifications for such product.
- l. Image retention on LCD flat panels.
- m. Defects caused by normal wear and tear or otherwise due to normal aging of a product.

The warranty does not apply to any product where the serial number has been removed or obliterated. The warranty also does not apply to any product sold by a reseller to an end user outside of the country where the reseller is located unless (i) Christie has an office in the country where the end user is located or (ii) the required international warranty fee has been paid.

The warranty does not obligate Christie to provide any on site warranty service at the product site location.

PREVENTATIVE MAINTENANCE

Preventative maintenance is an important part of the continued and proper operation of your product. Please see the Maintenance section for specific maintenance items as they relate to your product. Failure to perform maintenance as required, and in accordance with the maintenance schedule specified by Christie, will void the warranty.


REGULATORY

The product has been tested and found to comply with the limits for a Class A digital device, pursuant to Part 15 of the FCC Rules. These limits are designed to provide reasonable protection against harmful interference when the product is operated in a commercial environment. The product generates, uses, and can radiate radio frequency energy and, if not installed and used in accordance with the instruction manual, may cause harmful interference to radio communications. Operation of the product in a residential area is likely to cause harmful interference in which case the user will be required to correct the interference at the user's own expense.

CAN ICES-3 (A) / NMB-3 (A)

이 기기는 업무용 (A 급) 으로 전자파적합등록을 한 기기이오니 판매자 또는 사용자는 이점을 주의하시기 바라며 , 가정 외의 지역에서 사용하는 것을 목적으로 합니다 .

Environmental

The product is designed and manufactured with high-quality materials and components that can be recycled and reused. This symbol  means that electrical and electronic equipment, at their end-of-life, should be disposed of separately from regular waste. Please dispose of the product appropriately and according to local regulations. In the European Union, there are separate collection systems for used electrical and electronic products. Please help us to conserve the environment we live in!

Addendum

Translated copies of this document are provided on the CD in the back of this document. The CD may also contain additional product documentation. Read all instructions before using or servicing this product.

本文档的翻译副本在本文档背面的 CD 上提供。该 CD 中还可能包含其他产品文档。使用或维修本产品之前请务必阅读所有说明。

文件背面的光碟提供了本文件的翻譯副本。這張光碟可能另外包含其他產品文件。請先閱讀所有指示再使用或送修本產品。

Le CD au dos de ce document contient des traductions de celui-ci dans différentes langues. Ce CD peut également contenir de la documentation supplémentaire sur le produit. Lisez toutes les instructions avant d'utiliser ou d'entretenir ce produit.

Übersetzte Versionen dieses Dokuments werden auf der CD auf dem Vorsatzblatt dieses Dokuments bereitgestellt. Die CD kann auch zusätzliche Produktdokumentation enthalten. Bitte lesen Sie diese Anweisungen vor der Verwendung dieses Produkts oder vor der Ausführung von Wartungsarbeiten am Produkt.

Le copie tradotte di questo documento sono fornite sul CD, sul retro di questo documento. Il CD potrebbe anche contenere altra documentazione sul prodotto. Si prega di leggere tutte le istruzioni prima di utilizzare questo prodotto o sottoporlo a manutenzione.

このドキュメントの翻訳版がこのドキュメントの裏面の CD で提供されています。CD には追加の製品マニュアルも収められています。この製品を使用したり、機能させたりする前に、すべての指示をお読みください。

이 문서의 번역된 사본이 이 문서 후면의 CD 에서 제공됩니다. 이 CD 에는 추가 제품 설명서가 포함되어 있을 수 있습니다. 이 제품을 사용하거나 수리하기 전에 모든 지침을 확인하십시오.

Copias traduzidas deste documento são fornecida no CD contido na parte de trás deste documento. O CD pode conter documentação adicional do produto. Leia todas as instruções antes de usar ou prestar serviço com este produto.

Перевод данного документа представлен на компакт-диске на оборотной стороне документа. Компакт-диск может также содержать дополнительную документацию по продукту. Перед использованием или обслуживанием продукта ознакомьтесь со всеми инструкциями.

Las copias traducidas de este documento se proporcionan en el CD que se encuentra en la parte trasera. En el CD también puede encontrar documentación adicional del producto. Lea todas las instrucciones antes de utilizar o realizar el mantenimiento de este producto.

Перекладені екземпляри цього документа містяться на компакт-диску, який додано до цього документа. На компакт-диску може також бути додаткова документація до виробу. Перш ніж користуватися виробом або його обслуговувати, прочитайте всі інструкції.

Content

Introduction	13
Safety and warning guidelines	13
Installation safety and warning guidelines	14
AC/power precautions	14
Lamp precautions	15
Product safety labels	16
Projector overview	18
Contact your dealer	18
Key features	18
How the projector works	19
List of components	19
Installation and Setup	21
Site requirements	21
Physical operating environment	21
External exhaust ducting	21
Power connection	21
Tools required for installation	22
Projector components	23
Lamp power supply components	24
Position the projector	25
Install the lamp power supply in a rack stand	25
Connect the lamp power supply	27
Configuring ballast settings for 200 VAC operation	30
Configuring ballast settings for 400 VAC operation	30
Adjust the projector tilt and level	32
Install the foot extension rods	32
Install the touch panel controller	33
Remove the projector shroud	35
Set up the lens	35
Portrait mode	36
Connect Devices	38
Input video mapping	38
Four-Port: 3GIC, TDPIC, THIC cards	38

Four-Port: DDIC card	39
Two-Port: TDPIC card	39
Two-Port: DDIC card	39
Connect a video source using DisplayPort	40
Connect a video source using 3G input card	40
Connect a video source using HDMI	41
Connect a video source using DVI	41
Select a video source	42
Connect a computer or server	42
Set up Ethernet	43
Adjust the Image	44
Select screen image orientation	44
Maximize light output	44
Align the image	44
Adjust offset	45
Adjust horizontal boresight	45
Adjust vertical boresight	46
Lock the lens offsets	48
Adjust DMD convergence	49
Color correction	49
Adjust color by temperature	49
Adjusting color by precise chromaticity values	50
Adjust color by saturation	50
Adjust the fold mirror	50
Operation	52
Projector LED status indicators	52
Turn the projector on	52
LED expected behavior on power up	53
Turn the projector off	53
Work with lamps	53
Adjust lamp power	53
Adjust the lamp position with LampLOC	54
Calibrate the lamp	54
Manually adjust the lamp position	54
View lamp information	55
Track lamp intensity with LiteLoc	55
Lamp details	55

Record new lamp information	55
Add lamp end-of-life indicator	56
Work with lenses	56
Select a channel	57
Enable warping and blending	57
Send error notifications to specified devices	57
Menus	58
Touch panel controller	58
Tab structure	59
Menu tab details	61
Status tab details	61
Backup, Restore, and Upgrade Projector Files	63
Upgrade the projector software	63
Back up projector settings	63
Export backup settings to an external device	64
Restore settings from a local backup profile	64
Restore default settings	64
Import a file from an external device to restore settings	64
Maintenance	66
Maintenance shutdown	66
Ventilation and cooling	67
Inspect and clean the airflow interlocks	67
Inspect and clean the exhaust duct	67
Inspect and clean the lamp blower	67
Inspect and fill the coolant reservoir	68
Remove the liquid cooling reservoir	68
Filtration	70
Replace the light engine air filter	70
Replace the liquid cooling air filter	70
Replace the laminar airflow device filter	71
Lamps	71
Adjust the yoke assembly	72
Inspect and clean the lamp	72
Inspect and clean optics	73
Remove dust from the projection lens	73
Remove fingerprints, smudges, or oil from the projection lens	73

Remove the projection lens	74
Install the projection lens	74
Calibrate the lens motors	74
Reset the lens to home position	75
Troubleshooting	76
Projector does not power on	76
Lamp does not ignite	76
Lamp suddenly turns off	76
Flicker, shadows or dimness	77
LampLOC not working	77
Touch panel controller is blank	77
Blank screen, no display of image	77
Cannot communicate with projector	78
Inaccurate display colors	78
Display is not rectangular	78
Display has suddenly frozen	78
Display is jittery or unstable	78
Incoming signal(s) problems	79
Touch panel controller or projector head problems on startup	79
The Projector LEDs or the MCPU board power LED are not on	79
The MCPU board power LED is not on	79
MCPU board power LED behavior	80
Touch panel controller does not connect	80
Run the projector interrogator	80
Save TPC log files	80
Specification	82
Display	82
D4K3560 signal connectivity	84
Optional input cards	85
Control signal compatibility	85
Temperature sensor thresholds	86
Warning thresholds for fans	87
Warning threshold for liquid cooling module	88
Touch panel controller	88
Power requirements	88
Power requirements	89
Lamp	91

Physical specifications	91
Regulatory	92
Safety	92
Approvals	92
Environment	93
Accessories	93

Introduction

This manual is intended for professionally trained operators of Christie high-brightness projection systems. These operators are qualified to replace the lamp and air filters, but should not attempt to install or service the projector.

Only qualified Christie technicians who are knowledgeable about the hazards associated with high-voltage, ultraviolet exposure, and the high temperatures generated by the projector lamp are authorized to assemble, install, and service the projector.

For complete D4K3560 product documentation and technical support, go to www.christiedigital.com.

Safety and warning guidelines

This projector must be operated in an environment that meets the operating range specification. Use only the attachments and/or accessories recommended by Christie. Use of others may result in the risk of fire, shock, or personal injury.



Warning! Failure to comply with the following could result in death or serious injury.

- Never look directly into the projector lens or at the lamp. The extremely high brightness can cause permanent eye damage. For protection from ultraviolet radiation, keep all projector housings intact during operation. Protective safety gear and safety goggles are recommended when servicing.
- FIRE HAZARD! Keep hands, clothes, and all combustible material away from the concentrated light beam of the lamp.



Caution! Failure to comply with the following could result in minor or moderate injury.

- Position all cables where they cannot contact hot surfaces or be pulled or tripped over.
- The American Conference of Governmental Industrial Hygienists (ACGIH) recommends occupational UV exposure for an 8-hour day to be less than 0.1 microwatts per square centimeters of effective UV radiation. A workplace evaluation is advised to assure employees are not exposed to cumulative radiation levels exceeding the government guidelines for your area. Be aware that some medications are known to increase sensitivity to UV radiation.

NOTE: During maintenance and cleaning operations, the instructions define that the unit must not be operational, thus the lamps are not active and there are no emissions. Optical adjustments are not considered maintenance. The lamps are turned on during optical adjustments and emissions are present.

Installation safety and warning guidelines



Danger! Failure to comply with the following results in death or serious injury.

- This product must be installed within a restricted access location where equipotential bonding is provided, which is normally inaccessible by the general public, including workers, visitors, and residents in the immediate vicinity, by means of engineering or administrative control measures but is accessible to authorized personnel that may not have specific safety training.
- This product must be located and positioned in a way as to restrict audience members from direct access to enter the light beam path.
- Do not install the projector overhead.
- When installing the projector in portrait mode, the device holding the projector must have a weight rating sufficient to hold the weight of the projector. The projector weighs 125kg (275 lbs).
- The projector uses a high-pressure lamp that may explode if improperly handled. Always wear manufacturer approved protective safety clothing (gloves, jacket, face shield) when the lamp door is open or when handling the lamp. Failure to comply results in death or serious injury.



Warning! Failure to comply with the following could result in death or serious injury.

- A qualified technician is required for all installations.
- SHOCK HAZARD. Never operate the projector without all of its covers in place.
- Use of the projector's rear safety strap is **mandatory** to prevent the projector from tipping. Secure the strap between the projector and the surface it is mounted to.
- Four or more people are required to safely lift and hand-carry one projection head a short distance. Christie recommends removing the lamp before transporting the projector.
- Two or more people are required to safely lift and hand-carry the lamp power supply (LPS).



Notice. Failure to comply with the following may result in property damage.

- Perform an automatic LampLOC adjustment when the lamp is moved, leveled, or a new lamp is installed in the projector.
- Keep the projector level when lifting or transporting. Avoid tilting the projector to the right. This can introduce an air bubble into the coolant hoses that can result in an air lock and the overheating of the projector.

AC/power precautions

To correctly install this projector, a certified electrician must install a permanent three-phase connection to the lamp power supply (LPS). The LPS projector outlet is used to supply power to the projector head. Operate the projector at the recommended voltage.



Danger! Failure to comply with the following results in death or serious injury.

Disconnect projector from AC before opening any enclosure.



Warning! Failure to comply with the following could result in death or serious injury.

- Verify that the projector is using a line cord, socket, and power plug that meets the appropriate local rating standards. Use only an AC power cord recommended by Christie. Do not attempt operation if the AC supply and cord are not within the specified voltage and power range.
- Do **not** allow anything to rest on the power cord. Locate the projector where the cord cannot be abused by persons walking on it or objects rolling over it. Never operate the projector if the power cable appears damaged in any way.
- Do **not** overload power outlets and extension cords as this can result in fire or shock hazards.

Lamp precautions

Lamps used in the projector are under high pressure and must be handled with caution. Lamps can explode and cause serious personal injury if dropped or mishandled.



Danger! Failure to comply with the following results in death or serious injury.

- Never attempt to access the lamp compartment while the lamp is on. Wait at least 10 minutes after the lamp turns off before powering down, disconnecting from AC, and opening the lamp door.
- The arc lamp operates at a high pressure that increases with temperature. Failure to allow the lamp to sufficiently cool before handling, increases the potential for an explosion causing personal injury or property damage.
- Always wear manufacturer approved protective safety clothing (gloves, jacket, face shield) when the lamp door is open or when handling the lamp. Only qualified technicians should install projector lamps.



Warning! Failure to comply with the following could result in death or serious injury.

- Possibly hazardous optical radiation emitted from this product. (Risk group 3)
- Thermal radiation emitted from this product may cause burns. (Risk group 3)



Recommended protective clothing includes, but may not be limited to a polycarbonate face shield, protective gloves, and a quilted ballistic nylon jacket or a welder's jacket. This equipment is included in included in the Christie Protective Clothing Safety kit
P/N: 598900-095.

Christie's protective clothing recommendations are subject to change. Any local or federal specifications take precedence over Christie recommendations.

Product safety labels



Indicates the presence of a grounding point.



Indicates the presence of an earth grounding point.



Indicates the presence of a dangerous condition or situation.



Indicates the presence of a pinch hazard. To avoid personal injury, keep hands clear and loose clothing tied back.



Indicates the presence of a hot surface. To avoid personal injury, always allow the projector to cool down for a minimum of 10 minutes before performing maintenance or service procedures.



Indicates the presence of a hot surface. To avoid personal injury, always allow the projector to cool down for a minimum of 10 minutes before performing maintenance or service procedures.



Indicates the presence of an electrical shock hazard. To avoid personal injury, always disconnect all power sources before performing maintenance or service procedures.



Indicates the presence of an electrocution hazard. To avoid personal injury, always disconnect all power sources before performing maintenance or service procedures.



Indicates the presence of moving fan blades. To avoid personal injury, keep hands clear and loose clothing tied back. Always disconnect all power sources before performing maintenance or service procedures.



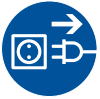
Indicates exposure to bright light. To avoid personal injury, never look directly at the light source.



Indicates the presence of an explosion hazard. To avoid personal injury, always disconnect all power sources and wear Christie approved protective clothing.



Indicates the presence of a fire hazard. To avoid personal injury and property damage, always adhere to the instructions described in this manual.



Always disconnect all power sources before performing maintenance or service procedures.



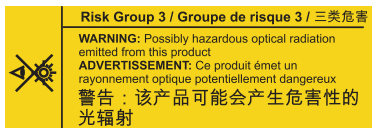
See the product user manual for specific information and directions.



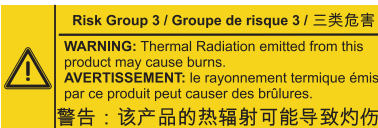
See the product service manual for specific information and directions.



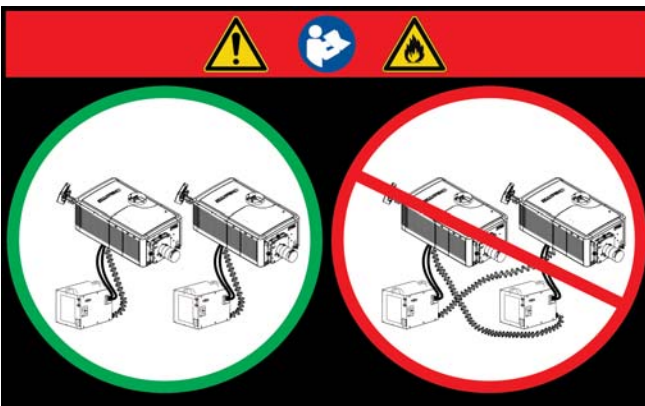
Never look directly into the projector lens. The extremely high brightness can cause permanent eye damage.



Indicates possible optical radiation emitted from the product.



Indicates thermal radiation emitted from the product may cause burns.



This label warns of a cross-connection hazard when installing multiple projectors at once. A fire hazard exists if a lamp power supply interlock cable is connected to a different projector than its lamp power cables.

Projector overview

The D4K3560 is a professional quality, easy-to-use, split-body projector using Digital Light Processing (DLP™) technology from Texas Instruments. Its unique separation of projector and lamp power supply means both parts can be installed with greater ease, providing the ideal solution for tight spaces and challenging installations. Integrating smoothly into traditional projection environments, the D4K3560 interfaces with local networks throughout the world, for multimedia presentations from a variety of formats, to offer stunning wide screen, high-resolution 4K images at 60 frames per second.

Contact your dealer

If you encounter a problem with your Christie projector, contact your dealer. To assist with the servicing of your projector, enter the information in the tables below and keep this information with your records.

Purchase Record

Dealer:

Dealer or Christie Sales/Service contact phone number:

Projector serial number:

Purchase date:

Installation date:

**The serial number can be found on the license label located on the frontside panel*

Ethernet Settings

Default gateway

Projector IP address

Subnet mask

Key features

- 3-chip 4K DLP™ light engine
- 4096 x 2160 native pixel format
- 2.0, 3.0, 4.5, and 6.0 kW Xenon lamp options
- Warp and blend of projected images
- Supports screens up to approximately 100 feet in width
- Touch panel controller (TPC) for main projector interface. Verify you have the latest software by visiting <http://www.christiedigital.com>
- 1x 10/100BaseT Ethernet port
- RS232 ports for communication

- 4x Option slots accepting a variety of digital video input option cards
- LiteLOC™ feature for constant image brightness
- LampLOC™ feature for motorized three-axis lamp alignment
- Electronically operated “quick” douser
- Motorized lens mount
- LED indicators on the rear corners of the projector for easy-to-read status indication
- Replaceable air filters (no tools required)
- Optional rack mount stand
- Choice of field-interchangeable zoom lenses

Model Name	Part Number
D4K3560	129-005106-XX
Lamp Power Supply (LPS)	129-003104-XX

How the projector works

The D4K3560 accepts a variety of input signals for projection on front or rear projection screens, typical in commercial or other large screen applications. High-brightness light is generated by a short arc Xenon lamp, then modulated by three Digital Micromirror Device (DMD) panels responding to incoming data streams of digitized red, green and blue color information. As these digital streams flow from the source, light from the responding “on” pixels of each panel is reflected, converged and then projected to the screen through one or more projection lenses, where all pixel reflections are superimposed in sharp full-color images.

The lamp power supply (LPS) is an external component which provides DC power for 2.0, 3.0, 4.5, and 6.0 kW. The LPS is connected with a twisted-pair high power lamp cable assembly, a RS232 serial cable and an Interlock (Lamp Enable) cable. It also includes two AC power outlet that can be used to power the projector electronics. This outlet must be wired accordingly for the local region.

List of components

Verify the following components were received with the projector:

- Touch panel controller (TPC)
- Lens plug (required for shipping when lens is not installed to prevent contamination of critical optical components)
- Light engine removal tool
- Convergence tool
- Nylon safety strap with clip (required to secure projector to tabletop or optional rack mount)
- Warranty card
- Shroud

- Access keys
- Web registration form

Verify the following components were received with the Lamp Power Supply (P/N: 129-003104-XX):

- 10' line cord (250V/10A)
- Harness package (includes four cables)

Installation and Setup

Learn how to install, connect, and optimize the projector display.

Site requirements

To safely install and operate the projector, the installation location must have restricted access for authorized personnel only and meet these minimum requirements.

Physical operating environment

Provides specifications for the operating environment.

- Maximum ambient temperature (operating) 35°C (95°F)
- Minimum ambient temperature (operating) 10°C (50°F)

External exhaust ducting

The installation site must provide a minimum of 450 CFM (ft³/min) external exhaust airflow to ensure adequate cooling of the Xenon arc lamp at less than or equal to 25°C (77°F) ambient and less than 3,000 ft (914.4 m) elevation. Above 25°C or 3,000 ft, 600 CFM is required.

For more details, see [Connect external exhaust ducting](#) on page 33.

Power connection

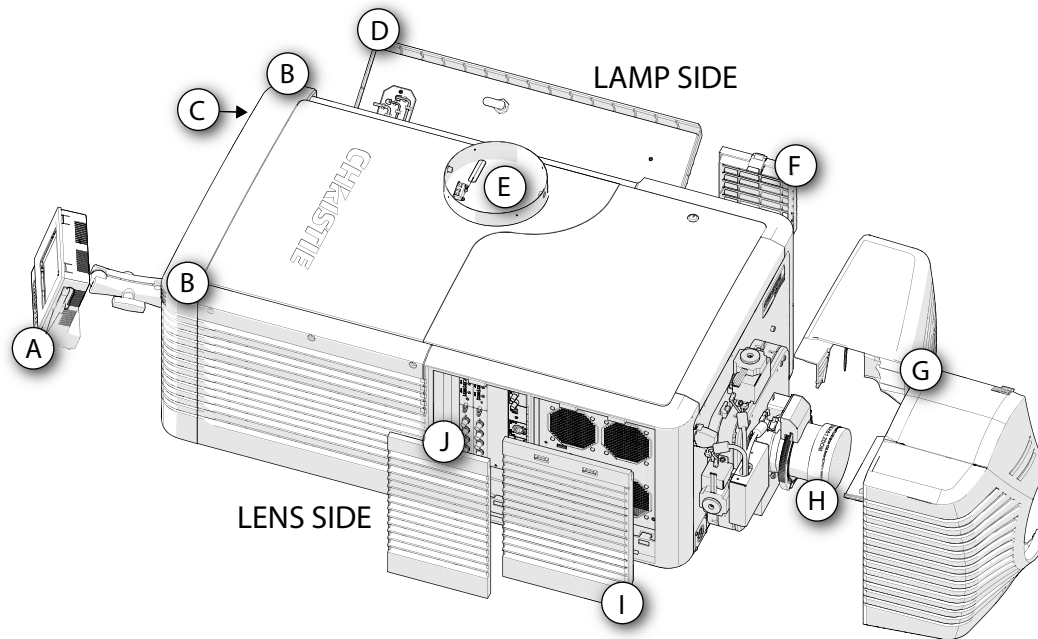
The requirements listed below are applicable for permanently wired installation or power cord connection:

- Single phase 15A IEC320C14 (lamp power supply to projector head)
- Terminal block, electrician hard-wired to the projector head.
Three-phase, 38A 200-230VAC + Earth (North America and Japan)
or
Three-phase, 26A 380-415VAC + Neutral + Earth (regions outside North America and Japan)
- This product can be connected to an IT power distribution system.

Tools required for installation

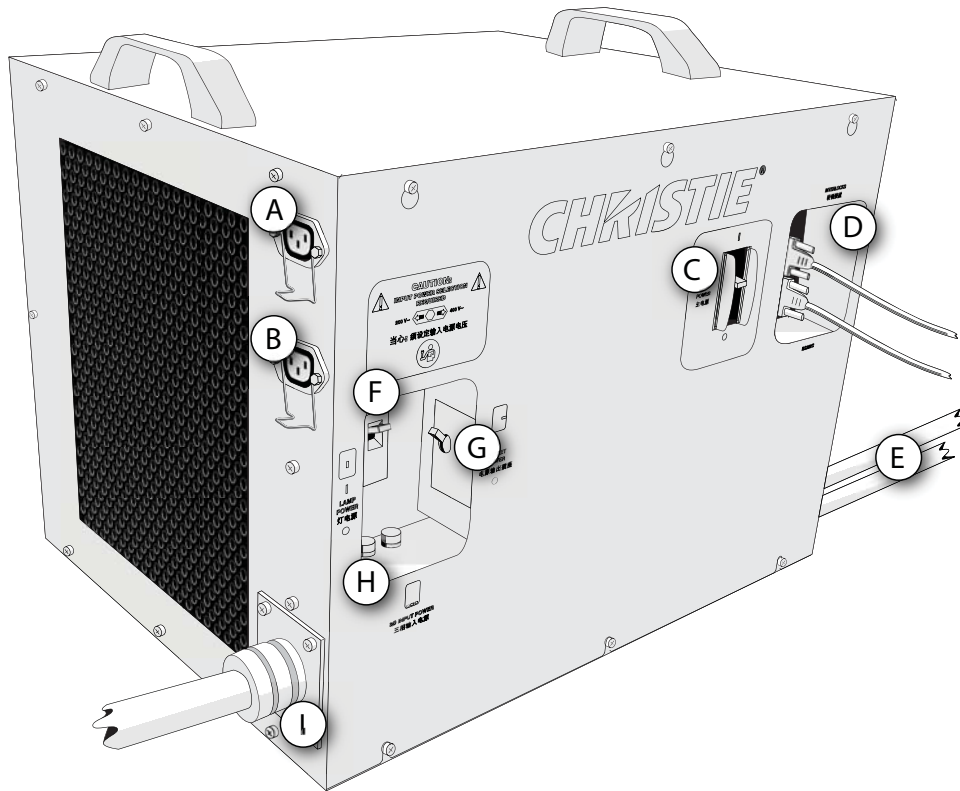
- 12" screwdrivers: Phillips #2 (magnetic) and flat
- 19 mm and 7/8" wrenches
- Assorted Allen keys (metric)
- Christie approved protective safety clothing if working with the lamp
- Lens cleaning tissue and solution

Projector components



ID	Item	Description
A	Touch panel controller (TPC)	A touch-sensitive screen used to control and monitor operation. For information about TPC controls and settings, see Menus on page 58.
B	LED status indicators	LED color and blinking rates (located in both back corners of the projector) provide information about the status of the projector. For information about projector states and status, see LED expected behavior on power up on page 53.
C	Manual douser override	Closing the douser rotates a shutter blade in front of the lamp and reduces the lamp power to 2.0 kW to conserve lamp life. The override is for emergency use only.
D	Lamp door and lamps	The lamp door provides access to the lamp compartment and must remain closed and locked for normal operation. Lamp replacement should only be performed by qualified technicians. For a complete list of available lamp types, see Accessories on page 93.
E	Exhaust duct and vane switch	Extracts heated air from the lamp compartment. The vane switch mounted inside the rigid port monitors airflow. See Site requirements on page 21.
F	Liquid cooling air filter cover and air filter	Filters air before it circulates to cool the heat exchanger. For replacement instructions, see Replace the laminar airflow device filter on page 71.
G	Shroud (two-piece)	Covers the motorized lens mount assembly.
H	Projection lens	A variety of lenses can be used with the D4K3560. For a list of available lenses, see Accessories on page 93.
I	Air filter cover and air filter	Filters the intake air before it circulates through the front compartment to cool the main electronics. For replacement instructions, see Replace the liquid cooling air filter on page 70.
J	Input panel faceplate	Provides a variety of ports for connecting external devices. For information about connecting devices and inputs, see Connect Devices on page 38.

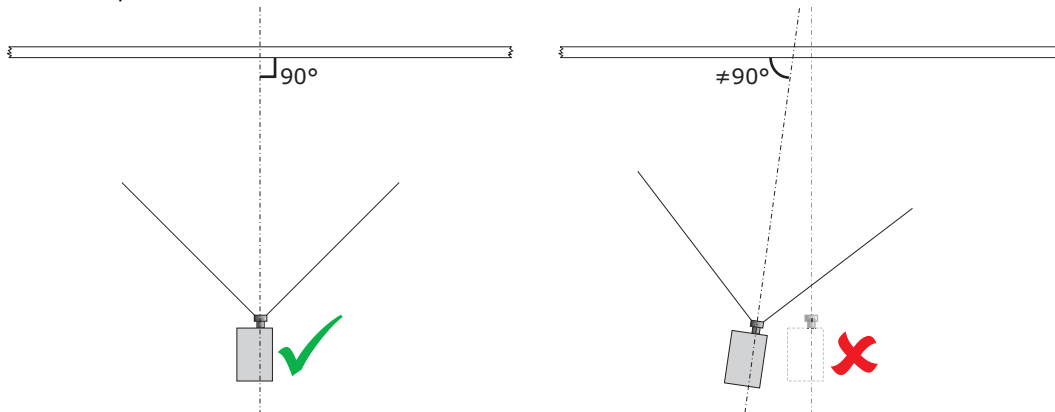
Lamp power supply components



ID	Item	Description
A	Extractor AC power outlet	Powers an approved extractor unit. Do not use this outlet to power other devices.
B	Projector AC power outlet	Powers the projector head. Do not use this outlet to power other devices.
C	Main LPS breaker	Acts as a power switch, protecting the LPS against over-current conditions of 50A or more.
D	Projector Interlock and Communication Connections	Provides communication between the projector and the lamp power supply.
E	DC lamp power cables	Carries power from the LPS to the projection lamp.
F	Lamp breaker	Acts as a power switch, protecting the LPS against over-current conditions of 50A or more.
G	Outlet breaker	Acts as a power switch, protecting the extractor and the projector electronics against over-current conditions of 15A or more.
H	Power phase indicator lights	Indicates the power on each of the three phases.
I	LPS power inlet	Supplies power to the LPS. This connection must be professionally wired, according to local regulations.

Position the projector

1. Position the projector at an appropriate throw distance (projector-to-screen distance) and vertical position. Ideally, center the projector with the screen. If space is limited, aim the projector slightly off-center. This increases side keystone, but reduces the horizontal lens offset required.



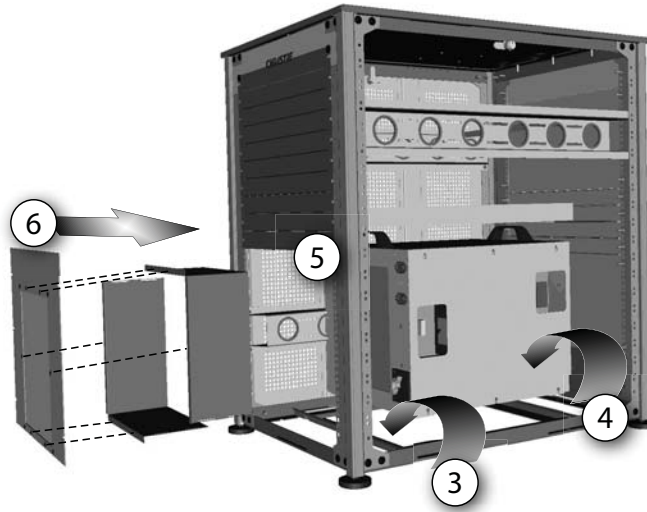
Keep the projector lens as perpendicular to the screen as possible, even if significantly above the screen center. When a particularly short throw distance combines with a wide screen, you may have to forfeit some aim and stay more perpendicular to the screen. In such cases, some lens offset can reduce the keystone distortion.

2. Position the lamp power supply (LPS) so its cables reach the lens side of the projector.
3. If using an optional rack stand (P/N: 108-282101-02), assemble the rack stand using the instructions provided with the rack stand. Use the hold down clamp (P/N: 116-100101-01) when securing the projector to the rack stand.

Install the lamp power supply in a rack stand

1. Remove the right (operator's side) panel of the rack stand.
2. Remove the cross bar.
3. Insert the lamp power supply (LPS) support into the rack stand and align the pins with the holes.
4. Lift the LPS into the frame.
5. Remove the bottom 10 panels from the back of the rack stand.

- Assemble the three-piece airflow duct (supplied with LPS). First snap the two L shaped parts together, and then snap this into the six stand out pins of the third piece (flat panel).

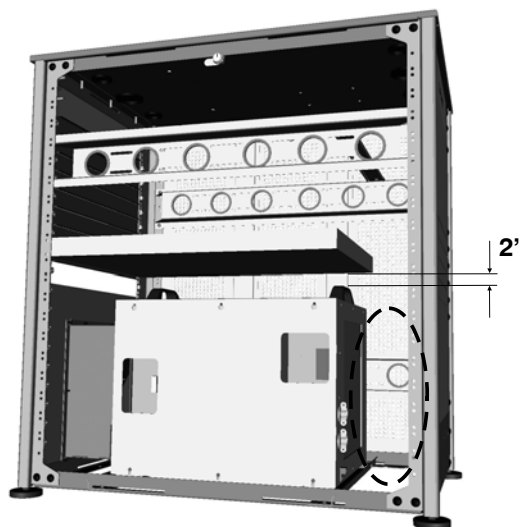


- Position the airflow duct directly behind the LPS.



Do not install any components in front of the lamp power supply that will restrict airflow.

- Insert airflow duct into rack stand from the outside.
- Secure airflow duct to rack stand using screws from the rack stand panels.
- When installing other components in the rack stand allow at least two inches of clearance above the LPS handles for ease of servicing.



- Wire all components within the rack stand and replace the side panel.

Connect the lamp power supply



Danger! Failure to comply with the following results in death or serious injury.



In a multi-projector installation there is a risk of a **Fire Hazard** if the high current DC cables and interlock/control cables are incorrectly cross-connected between the projector heads and lamp power supplies (LPSs).

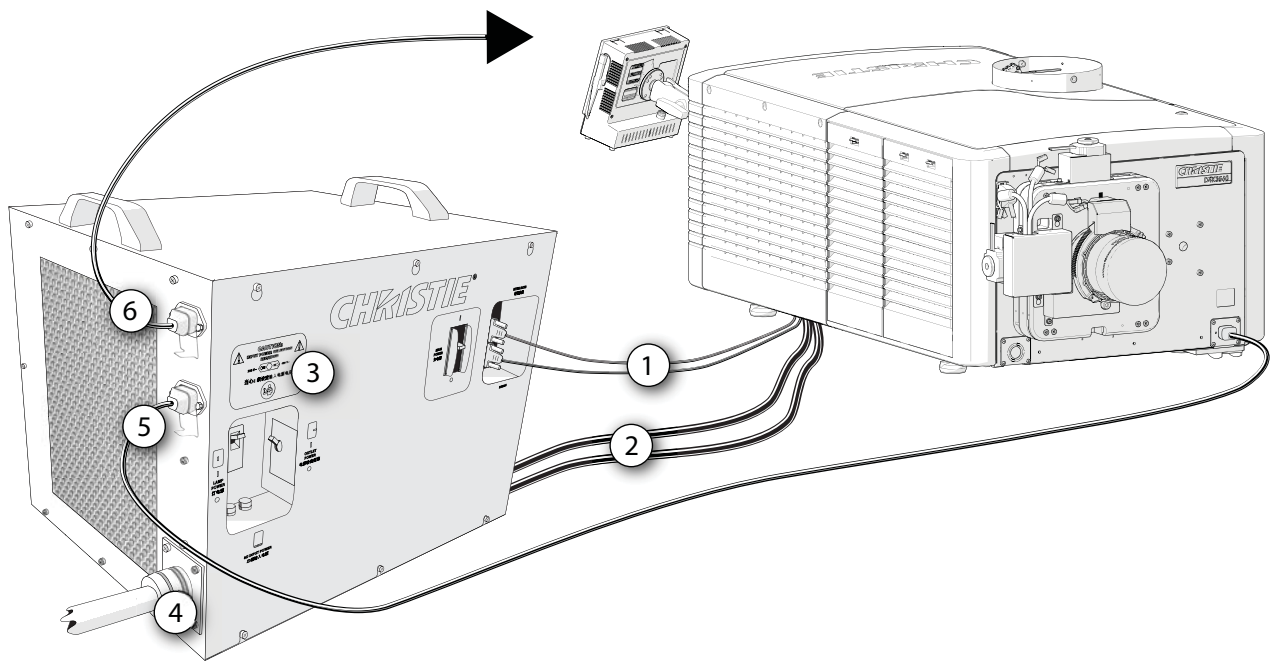
To avoid cross connections between projectors and lamp power supplies, always perform this procedure in its entirety for each projector, one after another. Never attempt to connect multiple projectors and lamp power supplies together at the same time.

Before powering the projector on for the first time, check that the high current DC leads and interlock/control cables are correctly connected between the LPS and its corresponding projector. Failure to comply may result in a Fire Hazard.



Warning! Failure to comply with the following could result in death or serious injury.

- Certified electrician required during installation. Ground (earth) connection is necessary for safety. Never compromise safety by returning the current through the ground. Connect ground first to reduce shock hazard.
- Use an appropriate strain relief connector on the AC supply cable to prevent the cable from rubbing against the LPS knockout plate and becoming damaged.



1. Ensure the power is disconnected from the lamp power supply (LPS).
2. Loosen three screws to remove the rear lens-side cover.
3. Connect the LPS communication cables:
 - a. Connect one end of the RS232 cable to the lower port on the LPS labeled **RS232**.
 - b. Connect one end of the Interlock cable to the upper port on the LPS labeled **Interlock**.

- c. Connect the projector end of the cable to the port labeled **RS232**, located on the underside of the projector chassis.
 - d. Connect the projector end of the Interlock cable to the port labeled **Interlock**, located on the underside of the projector chassis.
4. Connect the LPS lamp leads:
- a. Route the positive (+) cable through the upper strain relief in the LPS cover.
 - b. Route the negative (-) cable through the lower strain relief in the LPS cover.
 - c. Connect the positive (+) and negative (-) lamp leads to the terminals on the LPS.
 - d. Tighten the strain reliefs.
 - e. Pull the spring plunger to open the igniter door. The door can also be lifted off the hinges to remove it completely.
 - f. Route the positive (+) and negative (-) leads from the LPS through the two strain reliefs in the projector baseplate.
 - g. Connect the negative (-) black lamp lead to the negative (-) igniter terminal, left terminal. Connect the positive (+) red lamp lead to the positive (+) igniter terminal, right terminal.



Caution! Failure to comply with the following could result in minor or moderate injury.

When connecting the high current lamp leads between the LPS and the igniter, make sure the black (-) power cable (cathode lead) is securely connected with the washers and lock washers properly in place and tighten to 175 inch-lbs, 14 ft-lbs or 20Nm at both ends.

- h. Tighten the strain reliefs.
 - i. Replace the igniter door.
 - j. Replace the rear lens-side cover.
5. Ensuring AC power is off at the supply, connect the AC directly to the LPS AC input terminal block according to your region.



Caution! Failure to comply with the following could result in minor or moderate injury.

Use an appropriately sized strain relief connector with the knockout plate provided to ensure adequate environmental sealing and to prevent the cable from accidentally being torn out.

- For North America, Japan, Korea and most of Central/South America (200-230 VAC):
Wire Phase 1, 2, 3 and Ground
 - For Europe and China (380-415 VAC):
Wire Phase 1, 2, 3, Neutral and Ground
- a. Loosen the six screws to remove the LPS side panel.
 - b. Move the AC input line voltage switch in the upper-left corner of the LPS to the left. When using a 200 VAC supply, see [Configuring ballast settings for 200 VAC operation](#) on page 29 [Configuring ballast settings for 200 VAC operation](#) on page 19, or to the right when using a 400 VAC supply see [Configuring ballast settings for 400 VAC operation](#) on page 30 [Configuring ballast settings for 400 VAC operation](#) on page 20.

- c. Reinstall and secure the LPS side panel with six screws.



Notice. Failure to comply with the following may result in property damage.
Internal input line voltage switch setting must match AC available on site.

6. Connect one end of the line cord into the LPS power connector labeled **Projector ONLY**.

If using the longer DC cable kits, the projector head must be powered separately using Christie recommended line cord provided for your region.

7. Connect the other end of the projector line cord into the plug on the bottom lamp-side of the projector front bezel.

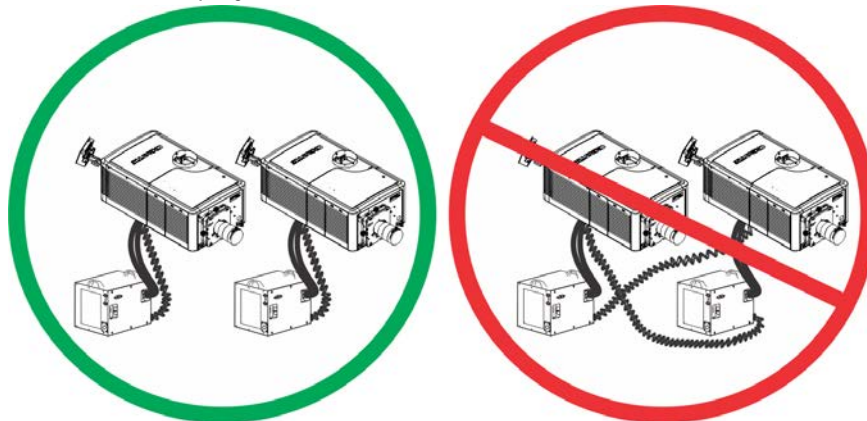


Warning! Failure to comply with the following could result in death or serious injury.

Do **not** access projector power directly from the building electrical source. When using the power connectors to power the projector and/or an extraction unit, the power connector terminal block must be terminated correctly to allow 200 - 240 VAC output. These connectors are controlled with the power connector breaker. For details, see the Interconnect Drawing provided with the projector.

8. If using a Christie extractor, connect the line cord to the LPS connector labeled **Extractor ONLY**.

9. Verify the LPS to projector connections by making sure that all cables connected to the LPS are connected to the same projector.



Danger! Failure to comply with the following results in death or serious injury.

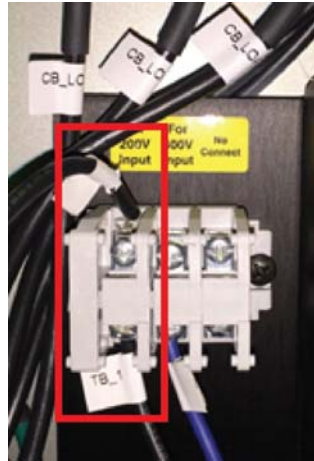
In a multi-projector installation there is a risk of a Fire Hazard if the high current DC cables and interlock/control cables are incorrectly cross-connected between the projector heads and lamp power supplies (LPSs). Make sure the high current DC LIDs and interlock/control cables are correctly connected between the LPS and its corresponding projector. Failure to comply may result in a Fire Hazard.

10. Set the three LPS breakers to their on positions.
11. Set the projector breaker, located on the baseplate below the projector AC receptacle, to the on position.

Configuring ballast settings for 200 VAC operation

1. Unplug the LPS from power.

2. Remove the front panel using a Phillips screwdriver.
3. Insert the convenience outlet harness (black) wire into the first position on the terminal block.



4. Tighten the screw to secure the harness in place.
Ensure the wire insulation is not crimped under the screw.
5. Slide the selector switch to the **200V** location.

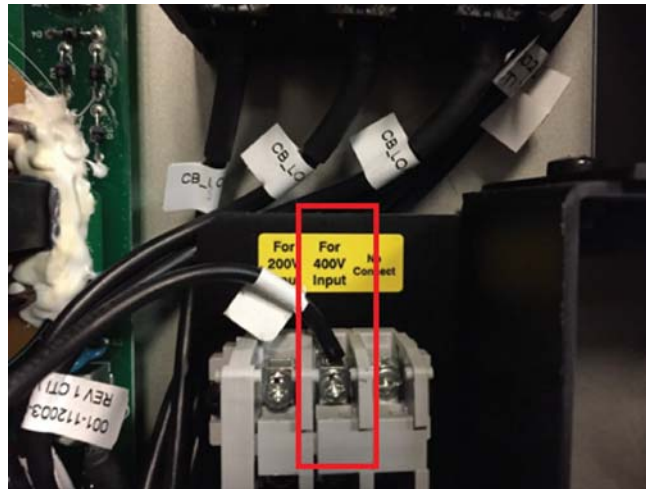


6. Re-attach the front panel.

Configuring ballast settings for 400 VAC operation

1. Unplug the LPS from power.
2. Remove the front panel using a Phillips screwdriver.

3. Insert the convenience outlet harness (black) wire into the second position on the terminal block.



4. Tighten the screw to secure the harness in place.
Ensure the wire insulation is not crimped under the screw.
5. Slide the selector switch to the **400V** location.



6. Re-attach the front panel.

Adjust the projector tilt and level



Warning! Failure to comply with the following could result in death or serious injury.

- The projector's rear safety strap must be in place before adjusting the projector feet.
- Do not over-extend the feet. Make sure several threads are engaged into the projector's baseplate to secure the projector from falling.

Adjust the projector tilt to fill the maximum amount of screen while minimizing keystone. Lens offset can be used to center the image in the center of the screen..



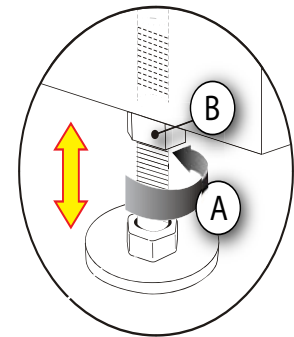
Notice. Failure to comply with the following may result in property damage.

The front-to-back tilt of the projector must not exceed 15 degrees.

1. Secure a safety lifting strap rated to handle the projector weight at the rear of the projector.
2. Hoist up the projector.
3. To adjust the vertical or horizontal position of the projector, extend or retract the adjustable feet on the bottom of the projector (A).
4. Once the required adjustment is made, tighten the lock nut against the bottom of the projector (B).

The projector provides 4 inches of adjustment at the front and 11.5 inches of adjustment at the rear.

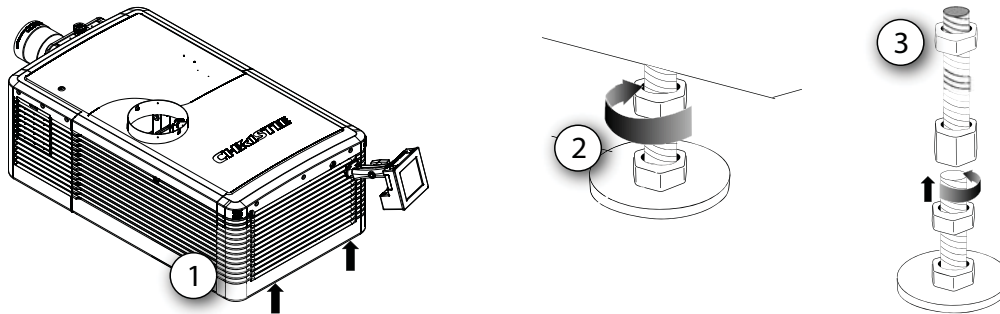
5. If the vertical or horizontal position of the projector requires more adjustment than the standard feet allow, two 6-inch extension rods can be installed to increase the amount of available adjustment.



Install the foot extension rods

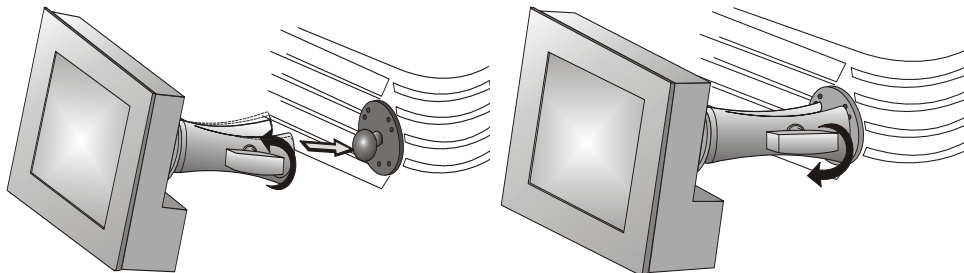
1. Elevate the rear of the projector to access the two rear feet.
2. Remove the feet by loosening the lock nut and rotating the each foot out of the projector.
3. Add the extension rods to the standard feet.
4. Thread the extended feet into the projector's baseplate.
5. Adjust the feet until the required tilt is achieved.

- Lock the feet in place by turning each lock nut until it fits tight against the projector.



Install the touch panel controller

- Loosen the mounting arm just enough for the end to fit over the ball joint located on the rear panel of the projector.
The touch panel controller (TPC) becomes loose from the mounting arm when the mounting arm lock is loosened.
- Tighten the mounting arm lock until it fits tightly on the joint.
The TPC safety strap comes installed on the projector ball point.
- Connect the cable from the touch panel controller (TPC) to the connector on the rear panel of the projector.
- Adjust the TPC angle for optimal viewing, then tighten the mounting arm lock securely so that the TPC is held in place at the required location.



Connect external exhaust ducting



Warning! Failure to comply with the following could result in death or serious injury.

At minimum, a 10-inch (25.4 cm) long, strong metal duct must be installed at the projector and installed to an outside venting duct system to prevent glass shards from exiting the duct in the event of a lamp explosion.



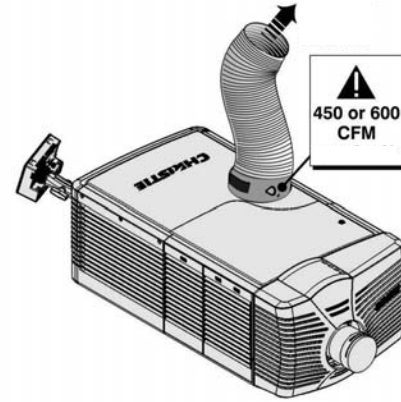
Notice. Failure to comply with the following may result in property damage.

*600 CFM is required in projection rooms with an ambient temperature above 25°C or located at an elevation greater than 3000 feet above sea level.

Connect the existing outside-venting duct to the 8-inch diameter exhaust port on the top of the projector. Make sure there are no obstructions or bends in the ducting or air intakes and the vane switch at the exit duct moves freely.

The pre-installed outside-venting duct should be rigid at the projector and must also include a heat extractor and blower that maintains a minimum of 450 CFM* when the projector is operating at less than or equal to 25°C (77°F) ambient and less than 3,000 feet (914.4 m), when measured at the projector exhaust opening.

To determine the projector exhaust CFM value, use an airflow meter to measure the ft/min at the rigid end of the open exhaust duct that connects to the projector. Take the measurement at the end of the duct without the projector connected.



Use this formula to determine the CFM value for the projector: $CFM = 0.35 \times \text{Measured ft/min}$

Lamp Type	Min. Airflow (CFM) Required
2.0 kW	450 CFM*
3.0 kW	450 CFM*
4.5 kW	600 CFM
6.0 kW	600 CFM

*600 CFM is required in projection rooms with ambient temperature above 25°C (77°F) or elevation (above sea level) greater than 3000 feet (914.4 m).

Add an extractor or a booster if there is insufficient airflow. Do not mount the extractor on the projector as this may introduce some vibration into the image.



Notice. Failure to comply with the following may result in property damage.

Never disable the vane switch. Attempting to operate the projector with inadequate airflow can result in dangerous overheating of the projector.



To prevent the projector from overheating or becoming unsafe, an alarm sounds if the duct is obstructed or a fan fails. Christie recommends regularly verifying that the exhaust is unobstructed and functioning correctly.

Remove the projector shroud

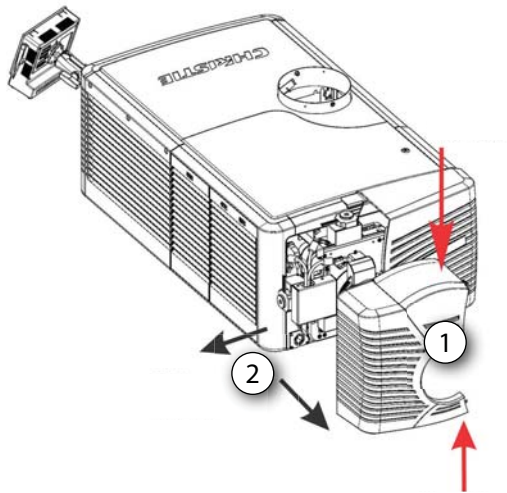


Warning! Failure to comply with the following could result in death or serious injury.

- Never install the shroud for overhead installations.

The lens side shroud must be removed to gain access to the lens. The other shroud must be removed when connecting the AC power cord into the front face of the projector.

1. Use finger pressure to push down on the shroud clips located at the top and bottom of the shroud as shown by the arrows.
2. Carefully slide the shroud sideways and forward away from the lens mount and lens.



3. Place the shroud covers on a clean surface to prevent scratches.

Set up the lens



Warning! Failure to comply with the following could result in death or serious injury.

- Keep fingers and other body parts away from the moving parts in the projector. Motors and fans may start without warning.
- Tie back long hair, remove jewelry and loose clothing before manually adjusting the projector.



Notice. Failure to comply with the following may result in property damage.

The lens seals the projection head, preventing contaminants from entering the main electronics area. Do not operate the projector without a lens installed. Use a lens plug when installing or transporting the projector.

1. Remove the projector shroud.
2. Make sure the lens locking lever is in the up position.

3. If attached, remove the rear lens cap from the lens.
4. Slide the lens into the lens mount, aligning all connections.



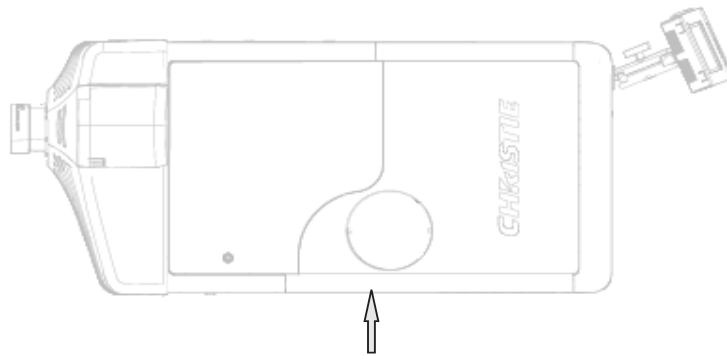
Always install the lens with UP label in the top position to achieve consistent boresight alignment each time the lens is replaced.

5. Secure the lens with the lens locking lever (down position).
6. Calibrate the lens motors.

For more details, see [Work with lenses](#) on page 56, [Remove the projector shroud](#) on page 35, and [Calibrate the lens motors](#) on page 74.

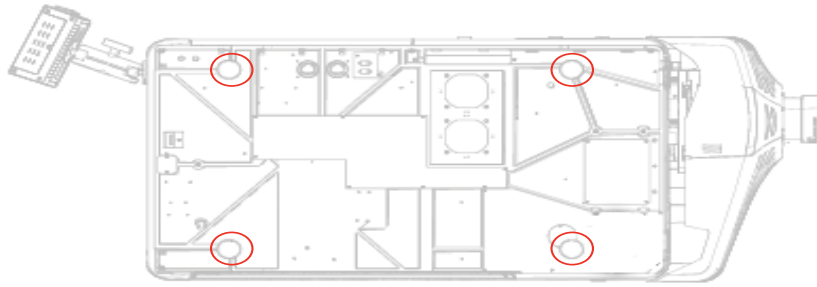
Portrait mode

1. Orient the projector in the frame with the lamp door facing downward (as shown).
The maximum tilt angle is ± 15 degrees.



2. Set up the customer-supplied mounting frame.
The mounting frame must be designed to accommodate the weight and mounting provisions of the projector.
3. Remove the projector feet.
4. Attach the projector to the mounting frame using the four M12 holes (normally used for projector feet) on the bottom side of the projector.

Mounting bolts must be grade 8.8 or higher and torqued to 60 ft-lbs.

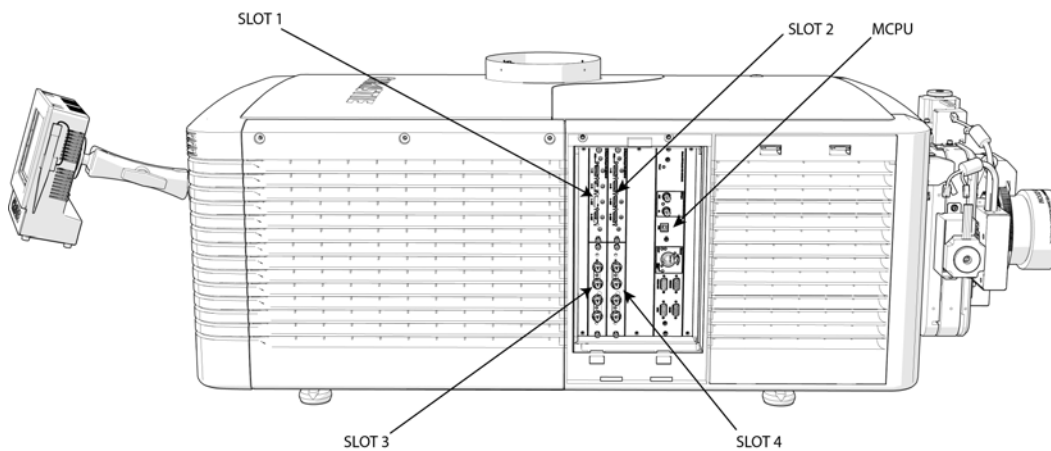


5. Perform a lamp alignment.

Connect Devices

This section provides information and procedures for connecting external devices to the projector. Communication and input ports are located on the projector side input panel, accessed by removing the input panel cover. When connecting devices, you can route cables through the opening in the frame to the side input panel or directly to the video option cards and MCPU. The image below shows the video option card slot numbers and the MCPU panel.

Input signal devices are connected to the video option cards and the option card slot numbers are important for some types of input signals. Communication devices are connected at the MCPU panel.



Input video mapping

Video input mapping depends on the type of cards used for the Four-Port or Two-port input configurations.

Four-Port: 3GIC, TDPIC, THIC cards

The following table shows the video quadrant mappings for the 3GIC, TDPIC, and THIC Four-Port input configurations:

Four-Port input configuration—Two cards (1)		Quadrants	Columns
Slot 1	1-In	Top left	1 (left most)
Slot 1	2-In	Bottom left	2

Slot 2	1-In	Top right	3
Slot 2	2-In	Bottom right	4
Four-Port input configuration—Two cards (2)		Quadrants	Columns
Slot 3	1-In	Top left	1 (left most)
Slot 3	2-In	Bottom left	2
Slot 4	1-In	Top right	3
Slot 4	2-In	Bottom right	4
Four-Port input configuration—Four cards		Quadrants	Columns
Slot 1	1-In	Top left	1 (left most)
Slot 2	1-In	Top right	2
Slot 3	1-In	Bottom left	3
Slot 4	1-In	Bottom right	4

Four-Port: DDIC card

The following table shows the video quadrant mappings for the DDIC Four-Port input configuration:

Four-Port input configuration		Quadrants	Columns
Slot 1	1-Dual Link DVI-I	Top left	1 (left most)
Slot 2	1-Dual Link DVI-I	Top right	2
Slot 3	1-Dual Link DVI-I	Bottom left	3
Slot 4	1-Dual Link DVI-I	Bottom right	4

Two-Port: TDPIC card

The following table shows the video quadrant mappings for the TDPIC Two-Port input configuration:

Two-Port input configuration—Two cards (1)		Columns
Slot 1	1-In	1 (left most)
Slot 2	1-In	2
Two-Port input configuration—Two cards (2)		Columns
Slot 3	1-In	1 (left most)
Slot 4	1-In	2

Two-Port: DDIC card

The following table shows the video quadrant mappings for the DDIC Two-Port input configuration:

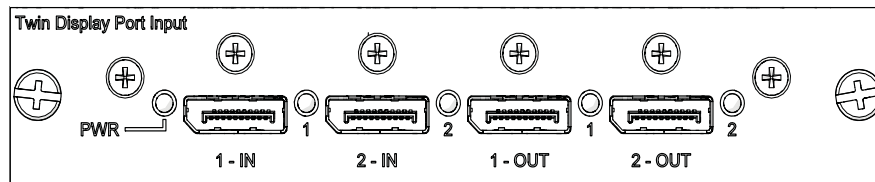
Two-Port input Configuration—Two cards (1)		Columns
Slot 1	1-Dual Link DVI-I	1 (left most)
Slot 2	1-Dual Link DVI-I	2

Two-Port input configuration—Two cards (2)		Columns
Slot 3	1-Dual Link DVI-I	1 (left most)
Slot 4	1-Dual Link DVI-I	2

Connect a video source using DisplayPort

The Twin DisplayPort input card (TDPIC) accepts digital video data from the DisplayPort sources. The input configurations listed below are supported.

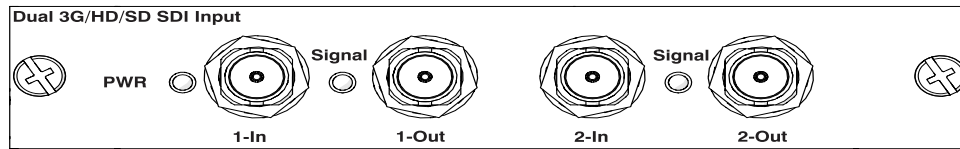
Input configuration	Description	Requirements
Four-Port	Enables connection of four DisplayPort cables to two or four TDPIC cards. Each DisplayPort input supplies one quadrant or column of a 4K input image. This configuration supports high resolution and high frame rate input video streams.	Two or four TDPIC cards
Two Port	Enables connection of two DisplayPort cables to two TDPIC cards. Each DisplayPort input supplies one of two columns of a 4K input image.	Two TDPIC cards
One-Port	Enables connection of one DisplayPort cable to the 1-IN input of a TDPIC card (any slot). In this configuration the DisplayPort input supplies the entire video raster.	One TDPIC card



Connect a video source using 3G input card

The 3G input card (3GIC) accepts digital video data from HD and 3G-SDI (Serial Digital Interface) sources. The input configurations listed below are supported.

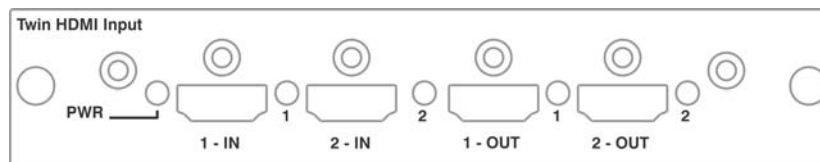
Input configuration	Description	Requirements
Four-Port	Enables connection of four SDI cables to two 3GIC cards. Each SDI input supplies one quadrant or column of a 4K input image. This configuration supports high resolution and high frame rate input video streams.	Two 3GIC cards
One-Port	Enables connection of one SDI cable to the 1-IN input of a 3GIC card (in any slot). In this configuration the SDI input supplies the entire video raster.	One 3GIC card



Connect a video source using HDMI

The Twin HDMI input card (THIC) accepts digital video data from HDMI sources. The input configurations listed below are supported.

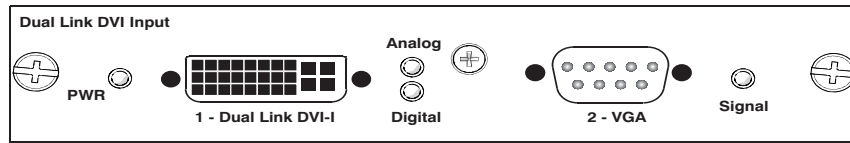
Input configuration	Description	Requirements
Four-Port	Enables connection of four HDMI cables to two THIC cards. Each HDMI input supplies one quadrant or column of a 4K input image. This configuration supports high resolution and high frame rate input video streams.	Two THIC cards
One-Port	Enables connection of one HDMI cable to the 1-IN input of a THIC card (in any slot). In this configuration, the HDMI input supplies the entire video raster.	One THIC card



Connect a video source using DVI

The Dual Link DVI input card (DDIC) accepts digital video data from DVI sources. It does not support incoming analog signals. The input configurations listed below are supported.

Input configuration	Description	Requirements
Four-Port	Enables connection of four DVI cables to four DDIC cards. Each DVI input supplies one quadrant or column of a 4K input image. This configuration supports high resolution and high frame rate input video streams.	Four DDIC cards
Two Port	Enables connection of two DVI cables to two DDIC cards. Each DVI input supplies one of two columns of a 4K image.	Two DDIC cards
One-Port	Enables connection of one DVI cable to the DVI input of a DDIC card (in any slot). In this configuration, the DVI input supplies the entire video raster.	One DDIC card



Select a video source

After connecting a video source to the projector, you must select it using the touch panel controller (TPC).

1. On the TPC, select **Input > Channel**.
2. Scroll the list of channels until you find the channel that best matches your configuration.
3. Tap the channel.

An image appears on the screen. If an image does not appear on the screen, repeat steps 1 to 3, selecting a different channel.

Connect a computer or server

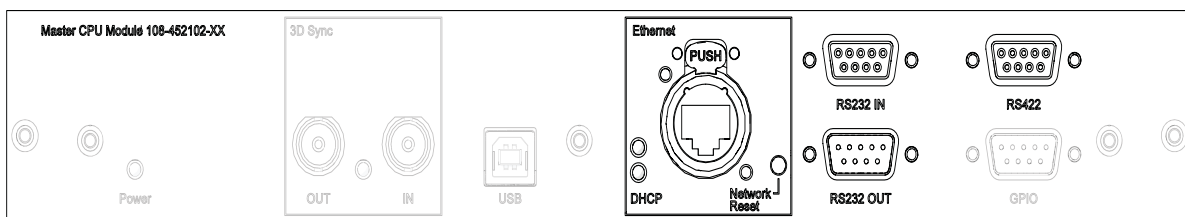
To communicate with a remote computer, server or an existing network, use an RJ-45 cable to connect the Ethernet hub or switch to the Ethernet port, located on the projector MCPU faceplate. When using the Christie serial protocol over Ethernet, connect to port 3002.

For applications or equipment using serial communications, use the Christie-proprietary serial protocol to communicate with the RS422 port or the RS232 ports on the MCPU faceplate.



Notice. Failure to comply with the following may result in property damage.

The RS232 port located on the MCPU faceplate uses Christie-proprietary protocol and is intended for Christie accessories or automation controllers only. For more information on the serial commands, see the [D4K-60 Serial API Commands Technical Reference \(P/N: 020-101258-XX\)](#).



Set up Ethernet

Ethernet is setup to obtain an IP address automatically if a DHCP server is on the network. To modify IP settings, or manually enter an address.

1. On the touch panel controller, tap **Menu > Configuration > Ethernet Settings > Modify IP Settings**.
2. Set the network information for the projector:
 - To obtain information automatically from the network, tap **Automatic**.
 - To manually enter the network information, tap **Manual** and enter the **IP Address**, **Subnet Mask** and **Gateway** (optional).
3. Click **Ok**.

Adjust the Image

This section provides information and procedures for adjusting the projector image.

Select screen image orientation

The projector supports front projection, rear projection, front projection inverted, and rear projection inverted.

1. On the touch panel controller, tap **Menu > Configuration > Screen Image Orientation**.
2. Select the required orientation from the list.

Maximize light output

To ensure optimal operation, use LampLOC to adjust the lamp position whenever a new lamp is installed or changes in the projector orientation (for example, from/to portrait mode).

1. On the touch panel controller, tap **Menu > Lamp > LampLOC**.
2. Tap **Auto LampLOC**.

Align the image

This procedure ensures that the image reflected from the digital micromirror device (DMD) is parallel and centered with the lens and screen. Complete this procedure before adjusting boresight.

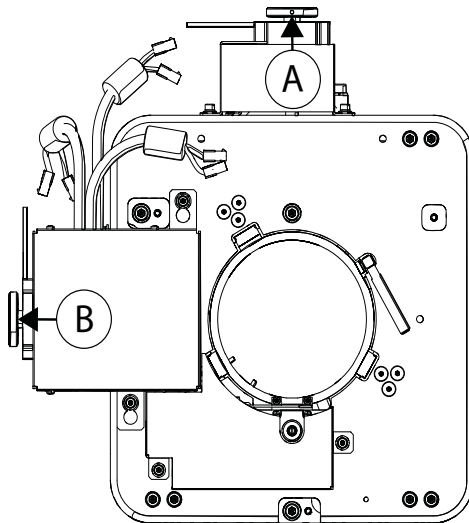
1. Verify that the projector is properly located and positioned relative to the screen.
2. Display a test pattern that can be used to analyze image focus and geometry. The framing test pattern works well for this.
3. Perform a preliminary focus and (if available) a zoom adjustment with the primary lens installed. Always focus the center of the image first.
4. With the test pattern on screen, re-check the projector leveling so the top edge of the image is parallel to the top edge of the screen.

For more details, see [Position the projector](#) on page 25 and [Work with lenses](#) on page 56.

Adjust offset

Always adjust offset before adjusting boresight.

1. Project an image with the primary lens.
2. Select a framing test pattern.
3. Adjust the vertical (A) and horizontal (B) offsets to display a square image on the screen, with minimal projector aiming error.



For the best optical performance and minimal keystone, use offsets instead of aiming at the center of the image, in off-axis installations.

Avoid extreme tilts or offsets. Corner vignettes on a white test pattern indicate extreme offset that should be avoided using mechanical alignment.

Adjust horizontal boresight

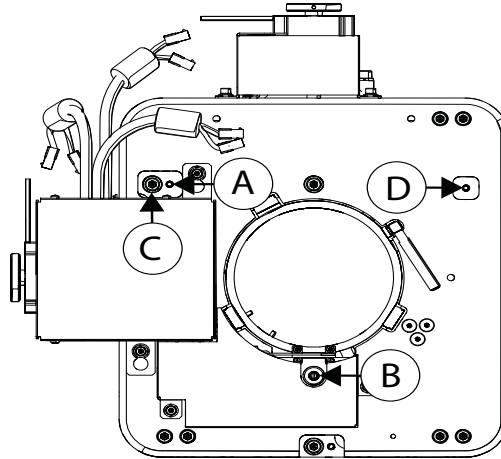


Warning! Failure to comply with the following could result in death or serious injury.

When doing optical adjustments on an operating projector and the top lid is removed, everyone within the immediate vicinity must wear safety glasses with side shields and Christie approved protective safety clothing (P/N: 598900-95).

The purpose of boresight adjustment is to balance the tilt of the lens mount to compensate for screen-to-projector tilt.

1. Loosen the lens mount stabilization screw (D).



2. Loosen the horizontal lock screw (A).
3. Extend the lens focus (B) completely.
4. Adjust the **Focus** using the focus knob to retract the lens. Watch the image at the left edge of the screen until it comes into focus. If the entire screen is in focus, proceed to step 7.
5. Continue retracting the lens.
 - a. If the right side of the image comes into focus before the lens is completely retracted, adjust the horizontal boresight bolt (C) to balance the left and right edges.
 - b. If the right side of the image fails to focus, adjust the horizontal boresight bolt (C).
6. When both sides appear equally blurry, adjust the offsets to re-center the image.
7. Repeat steps 1 to 5 until both sides of the image are focused.
8. Tighten the lock screw (A) and the lens mount stabilization screw (D) to maintain the adjustments.
9. Check the boresight again.
10. Unless proceeding to adjust vertical boresight, perform a lens calibration.

For more details, see [Calibrate the lens motors](#) on page 74.

Adjust vertical boresight

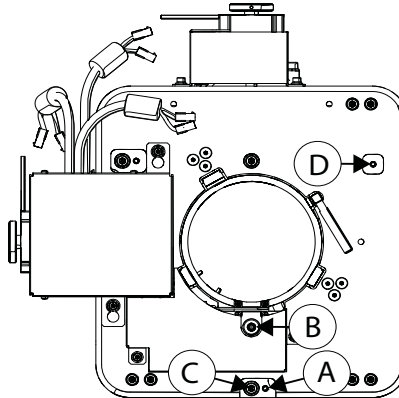


Warning! Failure to comply with the following could result in death or serious injury.

When doing optical adjustments on an operating projector and the top lid is removed, everyone within the immediate vicinity must wear safety glasses with side shields and Christie approved protective safety clothing (P/N: 598900-95).

1. Focus the image at the top edge of the screen

2. Loosen the lens mount stabilization screw (D).



3. Loosen the vertical lock screw (A).
4. Extend the lens focus (B) completely.
5. Adjust the **Focus** knob to retract the lens. Watch the image at the top edge of the screen until it comes into focus. If the entire screen is in focus, proceed to step 8.
6. Continue retracting the lens.
 - a. If the bottom edge of the image comes into focus before the lens is completely retracted, adjust the vertical boresight bolt (C) to direct or aim the lens mount UP towards the top of the screen to balance out the top/bottom edges.
 - b. If the top edge of the image is not in focus, adjust the vertical boresight bolt (C) to direct or aim the lens mount toward the bottom of the screen.
7. When both sides appear equally blurry, adjust the horizontal and/or vertical offset to re-center the image on the screen.
8. Repeat Steps 2 to 5 until the top and bottom of the screen are both well-focused.
9. Re-focus the center of the image. The goal is for good focus at the center and on all sides.
10. Tighten the lock screw (A) and the lens mount stabilization screw (D) to maintain the adjustments.
11. Check the boresight again.
12. Perform a lens calibration.

For more details, see [Calibrate the lens motors](#) on page 74.

Lock the lens offsets

The lens locking feature reduces image vibration. For most applications lens locking is not necessary.



Warning! Failure to comply with the following could result in death or serious injury.

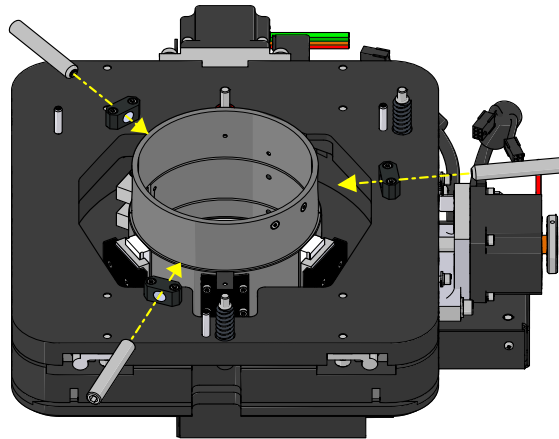
When doing optical adjustments on an operating projector and the top lid is removed, everyone within the immediate vicinity must wear safety glasses with side shields and Christie approved protective safety clothing (P/N: 598900-95).



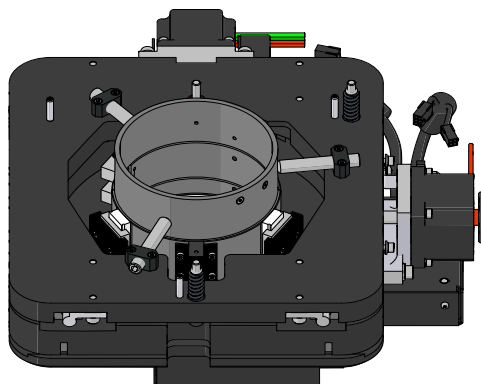
Notice. Failure to comply with the following may result in property damage.

Lens locking requires the disabling of the lens offset and focus. Do not attempt to adjust the lens offset with the offset locking screws installed.

1. Use the touch panel controller (TPC) or manually adjust the lens offsets to the required position.
2. Unpack and install the three lens offset locking screws.



3. Tighten each locking screw until each screw contacts the lens offset collar.



4. With equal pressure, tighten each locking screw against the lens offset collar.

5. Disconnect the lens motor communication cable.



When the lens motor communication cable is disconnected, the projector displays an error message on the TPC or the LCD display, identifying the loss of communication with the lens mount motors. Ignore this error message.

Adjust DMD convergence

A convergence problem occurs when one or more projected colors (red, green, blue) appears misaligned when examined with a convergence test pattern. Normally, the three colors should overlap precisely to form pure white lines throughout the image and one or more poorly converged individual colors may appear adjacent to some or all of the lines.

Contact your Christie accredited service technician to correct DMD convergence issues.

Color correction

The D4K3560 provides predefined and custom color adjustments using the Color Correction menu. The available color adjustment controls are listed in the table below:

Menu	Description
Max Drives	Turns off all color adjustments allowing the projector to run at maximum brightness.
Color Temperature	Allows the specification of a color temperature as expressed in degrees Kelvin. Standard settings are: <ul style="list-style-type: none"> • 9300K—Close to the white of many computer monitors. • 6500K—Standard for color video in both standard and HD formats. • 5400K—Standard for graphics and black and white video. • 3200K—Useful if the projected image is to be filtered, or shot as part of a studio set illuminated with incandescent lighting.
HD Video	Sets the output color value to the HD video standard.
Custom	Allows custom color adjustments to be made by the projector operator.

Adjust color by temperature



Color temperature adjusts the overall color gamut and does not allow for precise adjustments of specific primary colors.

1. On the touch panel controller, tap **Menu > Configuration > Color Correction > Select Color Adjustment**.
2. From the list, select **Color Temperature**.
3. Tap **Color Temperature**.
4. Adjust the temperature value and tap **OK**.

Adjusting color by precise chromaticity values



Adjusting the color chromaticity values overwrites any settings applied in the Color Saturation menu.

1. On the touch panel controller, tap **Menu > Configuration > Color Correction > Select Color Adjustment**.
2. From the list, select **Custom**.
3. Tap **Color Adjustments by X,Y**.
4. Adjust the precise hues of each primary color component.

Adjust color by saturation



Adjusting the color saturation overwrites any settings applied in the Color Adjustments by X,Y menu.

1. On the touch panel controller, tap **Menu > Configuration > Color Correction > Select Color Adjustment**.
2. From the list, select **Custom**.
3. Tap **Color Saturation**.
4. Adjust the hue of each primary color by using more or less of it in relation to the other primary colors.

Adjust the fold mirror



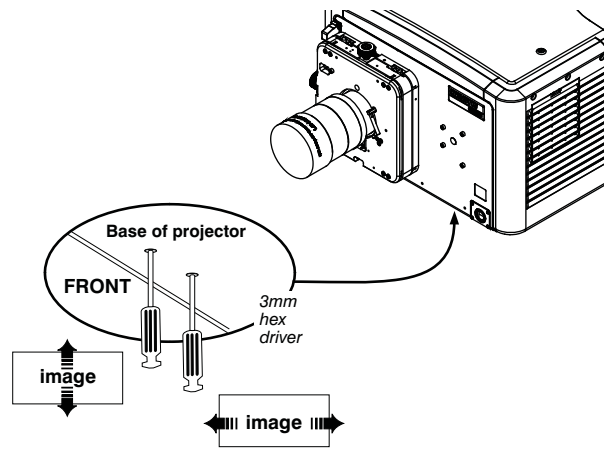
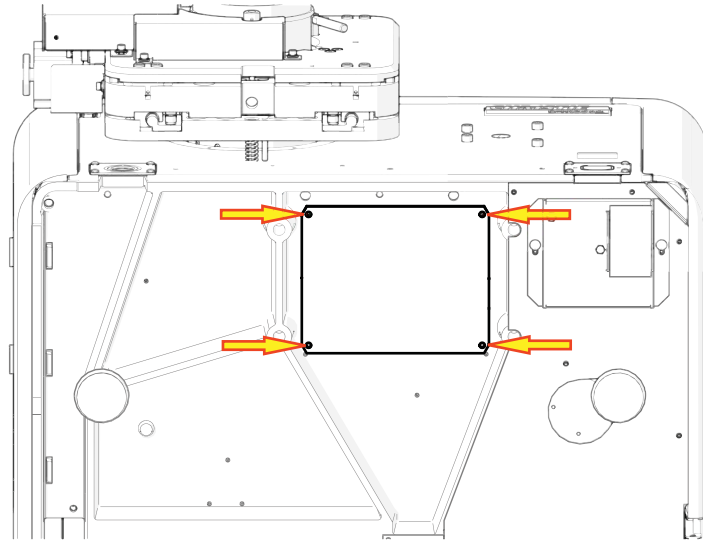
Warning! Failure to comply with the following could result in death or serious injury.

When doing optical adjustments on an operating projector and the top lid is removed, everyone within the immediate vicinity must wear safety glasses with side shields and Christie approved protective safety clothing (P/N: 598900-95).

If a corner or edge of an image is missing, the fold mirror might be misaligned with the optical system. To correct this issue:

1. Remove the four screws securing the fold mirror plate, on the underside of the projector.
2. Adjust the fold mirror:
 - Adjust the screw on the lens side to raise or lower the image.

- Adjust the screw on the lamp side to move the image left or right.



Operation

This section provides information and procedures for operating the projector.

Projector LED status indicators

The table identifies the LED state colors and meaning.

LED	State	Description
Solid Green	On	Video electronics are on, the lamp is on.
Solid Yellow	Standby mode	Video electronics are off, lamp is off.
Solid Green, Yellow and Red	AC is on	MCPU board software has not started initialization.
Flashing Green	Warm up	Video electronics are initializing, lamp is striking and warming up.
Flashing Yellow	Cool down	Lamp is off, video electronics and lamp are cooling down.
Flashing Red	Alarm or warning preset	Problem with the projector must be addressed.
Flashing Green and Yellow	AC on to standby	MCPU board software has started initialization.

Turn the projector on



Warning! Failure to comply with the following could result in death or serious injury.

- Do not attempt to turn the projector on if the AC supply is not within the specified voltage range.

1. Set the all the breaker switches on the lamp power supply to their on positions.
2. Set the breaker switch on the projector baseplate to the on position.
3. When the projector reaches standby, on the touch panel controller, tap **Home** > **Power**.

For more details on the specified voltage range, see [Power requirements](#) on page 88.

LED expected behavior on power up

The following table shows the expected behavior of the projector LED and the MCPU board power LED on power up:

Action/Event	Projector LEDs	MCPU Board Power LED
Applying AC power to the projector head	Solid red Solid green Solid yellow	Yellow
Within the first second	Solid red Solid green Solid yellow	Blinking green
At approximately 30 seconds	Off red Blinking yellow Blinking green	Blinking green
At approximately 50 seconds	Off/blinking red Solid yellow Off green	Solid green

At approximately one minute and 15 seconds, the TPC indicates that it is connected and shows the home page.

Turn the projector off

1. On the touch panel controller, tap the **Home** tab.
2. Tap **Power**.



When powering off in preparation for inspection or maintenance, always disconnect from AC, set the projector breaker and lamp power supply breakers to the off positions.

Work with lamps

This section provides information and procedures for optimizing lamp performance to ensure the brightest, most uniform image possible for the life of the lamp.

Adjust lamp power

1. On the touch panel controller, tap **Menu > Lamp > Lamp Power**.
2. Use the slider or enter a value to adjust the lamp power.

3. Tap **OK**.

Adjust the lamp position with LampLOC

Use LampLOC™ to configure the lamp position and geometry when installing a new lamp in the projector or at any other time when the lamp performance needs to be optimized. Before adjusting LampLOC, make sure the following criteria is met:

- Make sure the lamp is on and the douser (shutter) is open during adjustment.
Christie recommends a 10-minute warm-up.
- Perform the LampLOC™ procedure.

To automatically adjust LampLOC™:

1. Tap **Menu > Advanced Setup > LampLOC Setup**.
2. Tap **Do Auto**.

For more details, see [Calibrate the lamp](#) below.

Calibrate the lamp

The lamp should be re-calibrated when any of the following conditions are met:

- After the lamp has been replaced.
- After the projector has been moved and/or jostled.
- After the lamp motor IMCB has been replaced.

To calibrate the lamp:

1. On the touch panel controller, tap **Menu > Lamp > LampLOC**.
2. Tap **Auto LampLOC**.
3. Adjust optical components if required.

Manually adjust the lamp position

1. On the touch panel controller, tap the **Home** tab.
2. Tap **Test Pattern** and select **17pt White Field Test Point**.
3. Mount a light meter on a tripod and center it with the lens.
The distance from the lens does not matter. An attenuator or an internal foil aperture may be required
4. Tap **Menu > Lamp > LampLOC**.
5. Tap the directional arrows to adjust the value displayed in the **Z** field, until the brightness reading in front of the lens is maximized.
6. Tap the directional arrows to adjust the values displayed in the **X** and **Y** fields until the brightness values in each field are maximized.

- For a finer adjustment, repeat steps 5 and 6 but take the readings at the center of the screen instead of at the lens.

View lamp information

To view a history of all previously installed lamps, on the touch panel controller, tap **Menu > Lamp > Lamp History**.

Track lamp intensity with LiteLoc

Use the LiteLoc feature to maintain a constant level of brightness over the lifetime of the lamp.

- On the touch panel controller, tap **Menu > Lamp > Lamp Power**.
- To adjust the lamp power, use the slider or enter a value until the display is as bright as required.
- Tap **OK**.
- Tap **Lamp Mode**.
- Tap **Constant Intensity**.

Notice the Lamp Power option is greyed out so you cannot adjust it. To readjust the lamp power, select **Lamp Mode > Lamp Power**. From the Lamp Power option, adjust the power setting as applicable.

Lamp details

Lamp Type	Replace Before	Min. Lamp Power	Max. Lamp Power
CDXL-20 (2.0 kW)	2400 hours	1000W (50%)	2200W (110%)
CDXL-20SP (2.0 kW)	3200 hours	1400W	2000W
CDXL-30 (3.0 kW)	1500 hours	2000W (67%)	3300W (110%)
CDXL-30SP (3.0 kW)	1900 hours	2100W	3000W
CDXL-45 (4.5 kW)	1000 hours	2300W (51%)	4950W (110%)
CDXL-60 (6.0 kW)	600 hours	2750W (46%)	6600W (110%)

Record new lamp information



The lamp serial number is an alphanumeric, user-defined field. Christie recommends choosing a distinct and descriptive name for every individual lamp.

- On the touch panel controller, tap **Menu > Lamp > Change Lamp**.
- Enter a **Lamp Type**, **Serial Number** and **Hours Used**.
- Tap **Apply Lamp Change**.

4. Tap **Continue**.

Add lamp end-of-life indicator

Specify the number of hours remaining before issuing an end-of-life indicator for the lamp.

1. On the touch panel controller, tap **Menu > Lamp > Lamp life warning at (hours)**.
2. To specify the number of hours remaining before issuing an end-of-life indicator, enter a value or use the plus and minus buttons to increase or decrease the value.

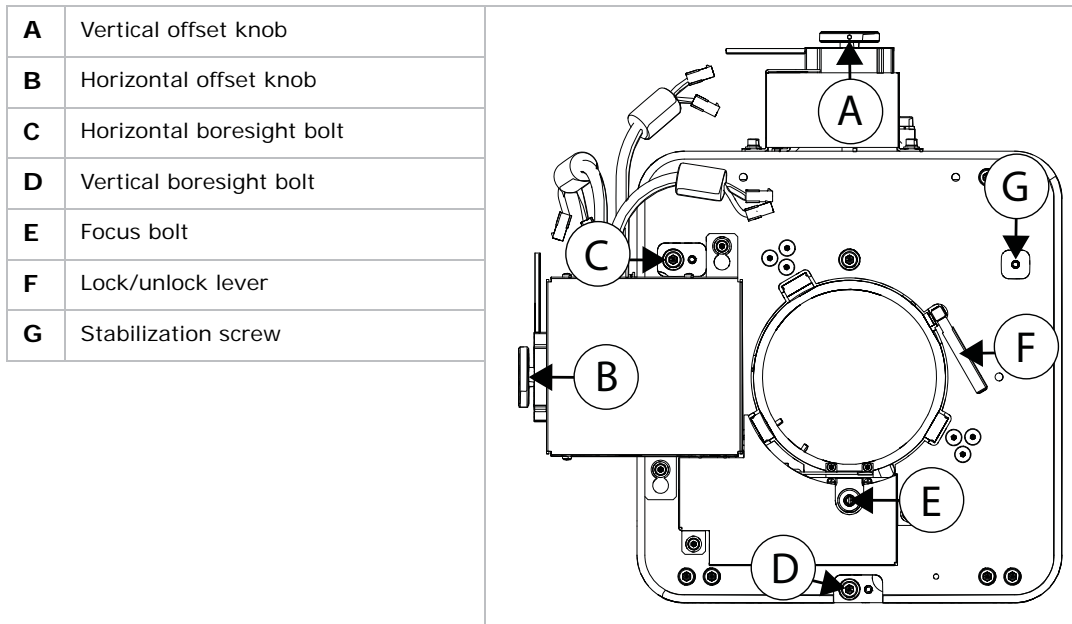
A value of zero disables the feature.

3. Tap **OK**.

When the specified number of hours is reached, a Lamp Hours - past expiry warning is issued.

Work with lenses

The lens mount secures the projection lens to the projector and provides setup adjustments to correct boresight, and control focus, zoom, and offset. .



4. To electronically control the focus, zoom, and offsets, on the touch panel controller, tap the **Lens** tab.



Calibrate the lens motors when any of the following conditions are met:

- After a lens change.
- After the projector is moved and/or jostled.
- After the lens motor IMCB has been replaced.

Select a channel

The projector uses pre-configured channels to determine how to display images from different sources. Each channel file contains the optimum processing and display settings for the source. Channels can be selected through the **Home** tab on the touch pad controller (TPC).

Enable warping and blending

Use edge blending to combine several projected images into one single, seamless image. Use warping to project images on any surface shape.

1. Create the warp and blend files using the Twist application
For details, see the *Twist 2.0 User Manual (P/N: 020-101380-xx)*.
2. Upload the warp and blend files to the projector.
For details, see the *Twist 2.0 User Manual (P/N: 020-101380-xx)*.
3. On the touch panel controller, tap **Main > Configuration > Geometry**.
4. To select a warp setting, tap **Geometry Correction** and tap the required warp.
5. To select a blend setting, tap **Edge Blending** and tap the required blend.
6. To select a black level blend setting, tap **Black Level Blending** and tap the required black level blend.
7. To turn off warping, blending, or black level blending, tap **Off**.

Send error notifications to specified devices

If an error occurs on the projector, notifications can be sent to three different devices.

1. On the touch panel controller, tap **Menu > Communications > SNMP**.
2. Tap **Trap IP Address 1**.
3. For the device you want to send error notifications to, enter the IP address.
4. Tap **OK**.
5. To add a second or third device, repeat steps 2 to 4.
6. Select the options you want to monitor.

Options include lamp fault, lamp life, power, fan stall, and thermal sensors.

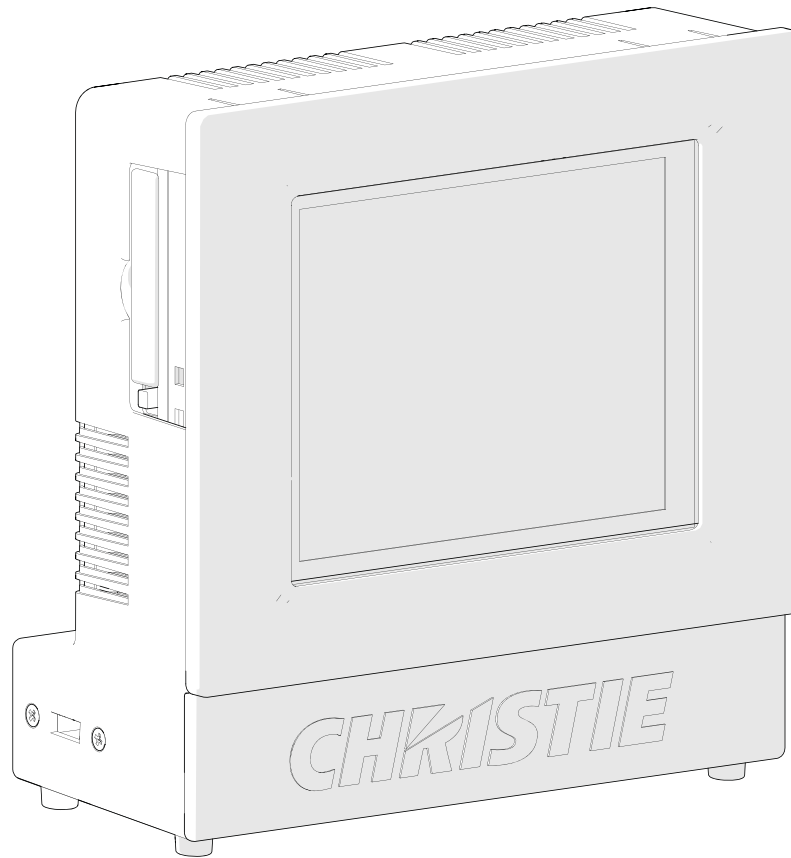
Menus

This section provides information and procedures for using projector menus. Use the projector menus to adjust projector settings and view status information.

Touch panel controller

The touch panel controller (TPC) is a touch-sensitive screen. Use the TPC to control the projector, manage sources, adjust the display, and view status information. The TPC is mounted on the rear of the projector and can be adjusted to improve the TPC viewing angle. A side USB port can be used to download log files and install software upgrades.

For remote applications, the TPC can be dismantled from the projector and used with the optional cable to allow projector control from a maximum distance of 100 ft (30 m).



Tab structure

The touch panel controller (TPC) windows are structured across a series of six tabs on the top of the display:

Tab	Description
Home	Quickly add and select channels, display test patterns, activate the shutter and control the projector power.
Menu	Access the projector controls and settings. Available submenus: <ul style="list-style-type: none">• Image Settings• Lamp• Configuration• Communications• General
Lens	Adjust the lens offset, focus and zoom motors. These controls can be adjusted by either tapping the required directional arrow, or by entering a numerical value.

Tab	Description
Status	Display the status of projector control states and settings. The status windows are for reporting purposes and all fields are read-only. For details, see Status tab details on page 61.
Admin	Display log files, access the interrogator and perform upgrade procedures. Available submenus: <ul style="list-style-type: none">• Upgrade—See Upgrade the projector software on page 63.• Interrogator—See Run the projector interrogator on page 80.• TPC Logs—See Save TPC log files on page 80.• Backup—See Back up projector settings on page 63.• Restore—See Restore settings from a local backup profile on page 64.
About	Display legal information regarding software licensing and usage agreements.

Menu tab details

Menu	Description
Image Settings	Adjust image settings such as color space, sharpness, gamma function, ambient light, and frame delay.
Lamp	Adjust the lamp power, calibrate the lamp, view lamp history and to input new lamp information when performing a lamp change. Available options: <ul style="list-style-type: none"> • Lamp Mode—See Track lamp intensity with LiteLoc on page 55. • Lamp Power—See Adjust lamp power on page 53. • Lamp life warning at (hours)—See Add lamp end-of-life indicator on page 56. • LampLOC—See Adjust the lamp position with LampLOC on page 54. • Lamp History—Display the history of all previously installed lamps. (Read-only) • Change Lamp—See Inspect and clean optics on page 73.
Configuration	Adjust the projected image orientation and the projector Ethernet settings. Available options: <ul style="list-style-type: none"> • Color Correction—See Color correction on page 49. • Screen Image Orientation—See Select screen image orientation on page 44. • EDID Window Mode—Inform the source device to split the 4K video raster into two or four columns instead of four quadrants. • Diagnostics—Configure diagnostics such as freezing an image and selecting test patterns.
Communications	Adjust projector Ethernet settings and set notifications for projector errors. Available options: <ul style="list-style-type: none"> • Device name—Set the name of the projector. • Group name—Set the name of the group the projector belongs to. • Ethernet Settings—See Set up Ethernet on page 43. • SNMP—See Send error notifications to specified devices on page 57.
General	Adjust settings such as standby mode, auto power up, and video loop out. Provides current date and time information.

Status tab details

Window	Description
Alarms	Display the location and the fault condition for any active alarms.
Configuration	Display the projector model, serial number, output resolution and date of manufacture.
Cooling	Display the status of the liquid cooling module and the cooling fans.
Lamp Info	Display the current lamp and lamp power supply information, such as: lamp state, hours, type, serial number, power usage, internal operating temperature and fan status.
Serials	Display the serial numbers for all electrical components, such as: main control board, backplane, image processor, formatter boards and option cards.
Signal	Display the status of the four available option card slots.
System	Display system hardware control settings, such as: projector hours, pitch/roll, lamp motor status, lens motor status, and built-in self test.
Temperatures	Display the operating temperatures as reported by the internal thermal sensors.

Window	Description
Versions	Display the hardware and software versions for all electrical components, such as: main control board, backplane, image processor, formatter boards and option cards.

Backup, Restore, and Upgrade Projector Files

This section provides information and procedures for backing up, restoring, and upgrading projector files.

Upgrade the projector software

1. On the touch panel controller, tap **Admin > Upgrade**.
2. Tap **Upgrade**.
3. To select the upgrade file, tap **Browse**.
4. In the Select Package dialog, navigate to the location where the upgrade file is stored.
5. Tap the upgrade file and tap **Open**.
6. To automatically restart the projector when the upgrade is complete, tap **Restart when update complete**.
7. Tap **Install**.

Back up projector settings

1. On the touch panel controller, tap **Admin > Backup**.
2. To back up the settings, tap a backup file.
3. If required, enter or change the name.
4. Tap **OK**.

A message indicates the backup was successful.

Export backup settings to an external device

1. If exporting settings from the touch panel controller (TPC), insert a USB flash drive (properly formatted as FAT or NTFS) into the USB port on the side of the TPC.

or

If exporting settings from the PC application, skip to step 2.

If using the TPC, you cannot save to the TPC's on-board CF flash memory. You must export the settings to a USB flash drive. If using the PC application, you can export the files to location on the hard drive, a USB flash drive, and so on.

2. On the TPC, tap **Admin** > **Backup**.
3. Tap **Export**.
4. To save the file, in the Choose backup file location dialog, navigate to the location where you want export the file.
5. Tap **Save**.

Restore settings from a local backup profile

1. On the touch panel controller, tap **Admin** > **Restore**.
2. From the backup file list, tap the required file name.
3. Tap **Restore**.
4. At the prompt, tap **OK**.

Restore default settings

You need Service permissions to complete this procedure.

1. On the touch panel controller, tap **Admin** > **Restore**.
2. Tap **Defaults**.
3. Tap **Restore**.

Import a file from an external device to restore settings

1. If importing settings using the touch panel controller (TPC), insert the USB flash drive containing the file into the USB port on the side of the TPC.

or

If importing settings using the PC application, skip to step 2.

If using the TPC, you must import the settings from a USB flash drive. If using the PC application, you can import the files from a location on the hard drive, a USB flash drive, and so on.

2. On the TPC, tap **Admin > Restore**.
3. Tap **Import**.
4. From the Choose file to restore dialog, navigate to the location where the file is stored.
5. Tap the file to select it.
6. Tap **Open**.

Maintenance

This section provides information and procedures for performing projector maintenance. Read through this section in its entirety before performing maintenance activities. When performing projector maintenance, obey all warnings and precautions.



Danger! Failure to comply with the following results in death or serious injury.

Never attempt to access the lamp compartment while the lamp is on. Wait at least 10 minutes after the lamp turns off before powering down, disconnecting from AC and opening the lamp door.

The arc lamp operates at a high pressure that increases with temperature. Failure to allow the lamp to sufficiently cool before handling, increases the potential for an explosion causing personal injury or property damage.

Always wear manufacturer approved protective safety clothing (gloves, jacket, face shield) whenever the lamp door is open or when handling the lamp.



Danger! Failure to comply with the following results in death or serious injury.

When accessing the restricted access location for projector service or maintenance, avoid exposure to the projector beam path by making sure to either:

- Power off the projector and disconnect from AC.
- Shutter the lamp to avoid emissions from the front aperture.



Danger! Failure to comply with the following results in death or serious injury.

ELECTRICAL SHOCK HAZARD! Always turn off, disconnect, and disengage all power sources to the projector before servicing.



Warning! Failure to comply with the following could result in death or serious injury.

- Qualified technician required for all installations.
- Never operate the projector without all of its covers in place.



Caution! Failure to comply with the following could result in minor or moderate injury.

Only Christie accredited service technicians are permitted to open any enclosure on the projector and only if the AC power has been fully disconnected.

Maintenance shutdown

This process is **mandatory**. Always perform these steps before beginning any inspection or maintenance procedures on the projector.

1. If the projector is operating, turn it off and allow it to cool for a minimum of 10 minutes.
2. Set the projector breaker switch to the off position.

3. Set the lamp power supply's three breaker switches to the off positions.
4. Disconnect the projector from AC power.

Ventilation and cooling

Vents and louvers provide ventilation, both for intake and exhaust. Do not install the projector near a radiator, heat register, or within an enclosure. To ensure adequate airflow, keep a minimum clearance of 50 cm (20 inches) around the projector and never block or cover the vents.

Inspect and clean the airflow interlocks



Warning! Failure to comply with the following could result in death or serious injury.
Never operate the projector with the vane switch removed or disabled.

The projector uses two airflow interlocks. Check and clean these switches to remove accumulated dust or dirt that could impede movement.

- Lamp blower vane switch, located within the lamp cooling compartment.
- Extractor vane switch, located inside the top duct on the projector lid.

Inspect and clean the exhaust duct

Inspect the exhaust duct regularly and confirm that:

- There are no obstructions or kinks within the ducting.
- All air intake areas are unobstructed.
- If using 2.0 or 3.0kW lamp, exhaust airflow must be at least 450 CFM (measured at the rigid end of the duct when not connected to the projector).



600 CFM is required when ambient temperatures exceed 25°C or elevation (above sea level) exceeds 3000 feet.

- If using 4.5 or 6.0kW lamp, exhaust airflow must be at least 600 CFM (measured at the rigid end of the duct when not connected to the projector).

Inspect and clean the lamp blower



Notice. Failure to comply with the following may result in property damage.
Do **not** touch or bend the impeller blades or loosen the balancing weights.

A clogged blower impeller or motor can reduce air flow and lead to overheating and lamp failure.

1. Shut down the projector.
2. Remove the three screws securing the rear side cover.

3. Vacuum loose dirt from the lamp blower impeller.
4. If necessary, use a soft brush dampened with hot water.

or

Fold a clean microfiber cloth and dampen with methanol and wipe evenly with the smooth portion of the cloth that has no folds or creases. Do not apply finger pressure. Use the solution in the cloth to collect the dirt.

For more details, see [Maintenance shutdown](#) on page 66.

Inspect and fill the coolant reservoir



Warning! Failure to comply with the following could result in death or serious injury.

HAZARDOUS SUBSTANCE! The coolant used in the projector contains propylene glycol. Use caution when handling. Do not ingest.



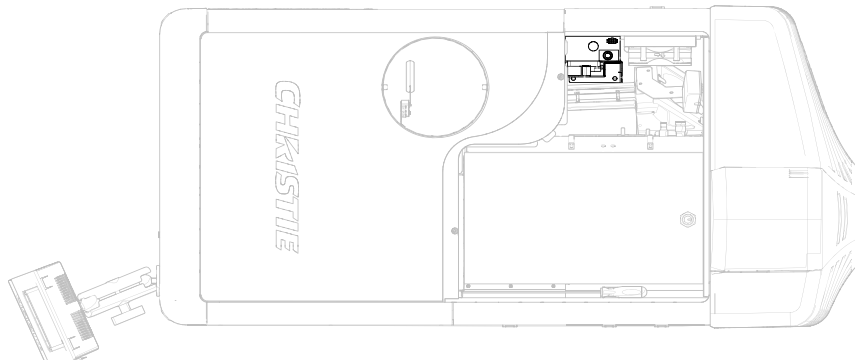
Notice. Failure to comply with the following may result in property damage.

The coolant color may fade over time, however this does not impact the ability of the coolant to exchange heat. Only use coolant recommended by Christie in this projector.

The liquid cooling module (LCM) circulates coolant through the digital micromirror device (DMD) heat sinks. The coolant level should be checked every six months and should remain above the minimum level indicator and free from particulate and/or fogginess.

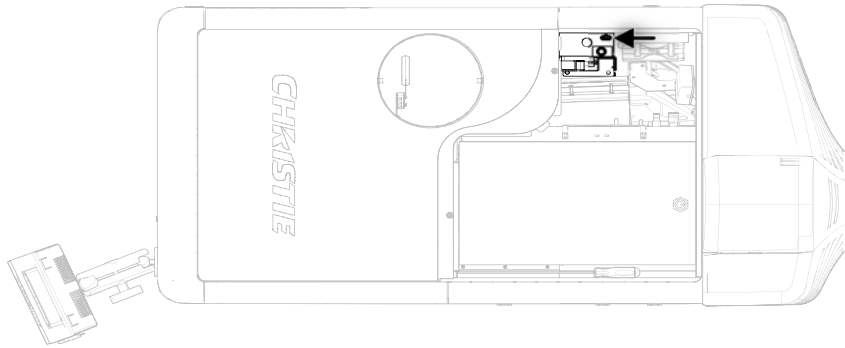
Always use Christie approved **Coolant Propylene Glycol (P/N: 003-103148-XX)**. Always remove and refill the coolant reservoir outside of the projector and never overfill the reservoir beyond the top of the window. Use caution not to spill or let any of the coolant drip on or near the electronics.

Remove the liquid cooling reservoir

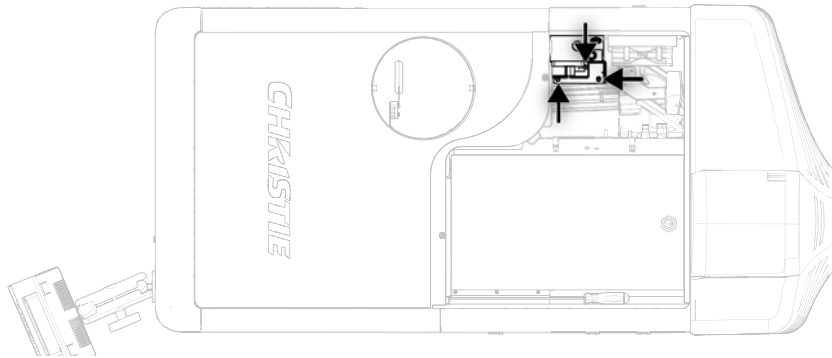


1. Shut down the projector.
2. Remove the front top cover.
3. Remove the radiator air filter.
4. Disconnect the blower on the LCM pump.

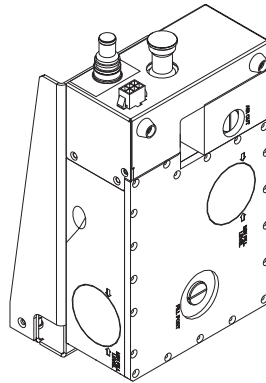
5. Disconnect the communications harness from the coolant reservoir.



6. Disconnect the coolant hoses from the coolant reservoir.
7. Remove the three screws securing the reservoir bracket to the projector base plate.



8. Lift and remove the reservoir from the projector.



9. Refill the reservoir as needed.
 10. Replace the cap.
 11. To reinstall the liquid cooling reservoir, repeat these steps in reverse order.
 12. Check for leaks, especially for any hoses that were removed around the filler cap.
 13. Check for proper flow from the liquid cooling module.
- For more details, see [Maintenance shutdown](#) on page 66.

Filtration



Notice. Failure to comply with the following may result in property damage.

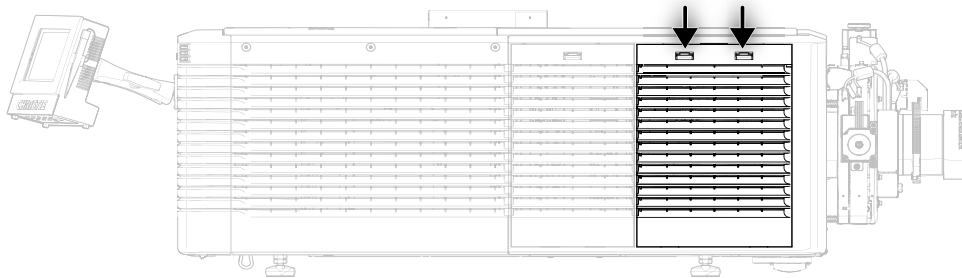
Use only high efficiency Christie approved filters: light engine filter (five-pack)—P/N: 003-001184-XX, liquid cooling radiator filter—P/N: 003-003082-XX, and LAD filter (three-pack)—P/B: 03-001982-51P.

Never operate the projector without the filter installed. The air filters in this product cannot be cleaned thoroughly enough for reuse and can lead to the contamination of optical components.

Replace the light engine air filter

This filter is located on the lens side of the projector behind the air filter cover. Check the condition of this filter monthly. Replace the light engine air filter when replacing the lamp, or sooner when operating the projector in a dusty or dirty environment.

1. Release the two tabs on the air filter cover.



2. Lift up the cover enough for the bottom tabs to clear the frame and remove.
3. Slide the air filter out from behind the air filter cover and discard.
4. Insert the new air filter with the airflow indicator facing toward the projector.
This ensures proper particle filtration.
5. To complete the installation, align the bottom tabs and repeat these steps in reverse order.

Replace the liquid cooling air filter

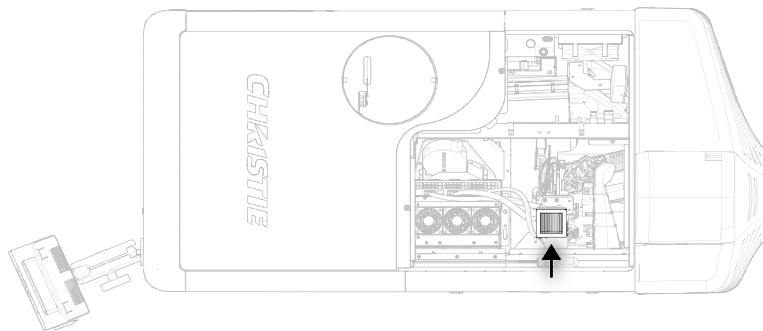
This filter is located on front lamp-side of the projector, behind a small air filter cover. Check the condition of this filter monthly. Replace the liquid cooling air filter when refilling the liquid cooling module, or sooner when operating the projector in a dusty or dirty environment.

1. Release one tab on the air filter cover.
2. Rotate the top towards you and lift up to remove.
3. Slide the air filter out and discard.
4. Insert the new air filter with the airflow indicator facing toward the projector.
5. Install the air filter cover.

Replace the laminar airflow device filter

The laminar airflow device (LAD) filter is attached to the light engine assembly handle in the light engine compartment. Inspect the LAD filter every six months.

1. Shut down the projector.
2. Unlock and remove the front top cover.
3. Unlock and remove the light engine lid.
4. Remove the two screws securing the laminar airflow device filter (LAD) assembly to the bracket.
5. Pull out and replace the LAD filter.
6. To reinstall, repeat these steps in reverse order.



For more details, see [Maintenance shutdown](#) on page 66.

Lamps



Danger! Failure to comply with the following results in death or serious injury.

- Lamp replacement must be performed by a qualified service technician only.
- **EXPLOSION HAZARD.** Wear authorized protective clothing (P/N: 598900-095) whenever the lamp door is open and when handling the lamp. Ensure those within the vicinity of the projector are also wearing protective safety clothing. Recommended protective clothing includes, but may not be limited to a polycarbonate face shield, protective gloves, and a quilted ballistic nylon jacket or a welder's jacket. Protective clothing recommendations are subject to change. Any local or federal specifications take precedence over Christie recommendations.
- Never twist or bend the quartz lamp body. Use the correct wattage lamp supplied by Christie.
- Never attempt to remove the lamp when it is hot. The lamp is under extremely high pressure when hot and may explode. Allow the lamp to cool completely before replacing.



Warning! Failure to comply with the following could result in death or serious injury.

- Possibly hazardous optical radiation emitted from this product. (Risk group 3).
- Thermal radiation emitted from this product may cause burns. (Risk group 3).

Always perform these steps before inspecting, removing, or installing any part of the lamp system:

1. Shut down the projector, disconnect from power, and let it cool.
2. Put on the protective clothing and face shield.

3. Use the key to open the lamp door and access the lamp compartment.

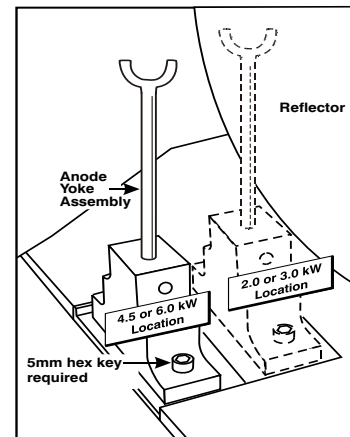
Do not lean, or place heavy objects on the open lamp door.

For more details, see *Maintenance shutdown* on page 66.

Adjust the yoke assembly

After installing the lamp, to ensure optimal operation of the lamp, check that the anode yoke is in the correct position for the lamp type:

Lamp	Type	Anode Yoke Position
2.0 kW 3.0 kW	CDXL-20 CDXL-20SP CDXL-30 CDXL-30SP	Move the lamp cradle to the rear position, which is approximately 1" closer to the reflector.
4.5 kW 6.0 kW	CDXL-45 CDXL-60	Move the lamp cradle as far forward as possible (position closest to the igniter).



Inspect and clean the lamp



Danger! Failure to comply with the following results in death or serious injury.

Always disconnect the projector from AC power and wear authorized protective safety gear.

- Check the contact surfaces of the anode (positive) and the cathode (negative) connections for cleanliness.
- Clean electrical contact surfaces regularly to prevent contact resistance from scorching connectors. Use an approved contact cleaner such as Sticklers Fiber Optic Cleaner.
- Verify that all electrical and lamp connections are secure.
- Use lint-free lab gloves.

Remove dust from the lamp

1. Brush most of the dust off with a camelhair brush or use a dust-free blower.
2. If some dust remains, leave it. Some dust is inevitable. Avoid unnecessary cleaning.

Remove fingerprints, smudges, or oil from the lamp

1. Brush most of the dust off with a camelhair brush or use a dust-free blower.
2. Fold a microfiber cloth and wipe the remaining dust particles off the lamp with the smooth portion of the cloth that has no folds or creases. Do not apply finger pressure. Instead, use the tension in the folded cloth to remove the dust.

Inspect and clean optics



Notice. Failure to comply with the following may result in property damage.

- A small amount of dust or dirt on the lens has minimal effect on image quality-to avoid the risk of scratching the lens, clean the lens only if absolutely required. The reflector and projection lens may be inspected and cleaned as per the following instructions. Any other optical maintenance should only be performed by qualified service technicians.
- Always wear powder free latex gloves when handling and cleaning projector optics.
- Only use solvents if dirt remains after dusting with compressed air.
- Do not reuse lens tissues. Use a clean tissue for each cleaning attempt.
- Handle optics by their edges.

Inspect these components periodically in a clean, dust-free environment using a high-intensity light source or flashlight. Clean them only when dust, dirt, oil, fingerprints, or other marks are obvious. Never touch an optical surface with bare hands. Always wear lint-free lab gloves.

The following tools are recommended for removing dust or grease:

- Powder free latex gloves
- Soft camel-hair brush
- Dust-free blower—filtered dry nitrogen blown through an anti-static nozzle
- Lint-free lens tissue, such as Lensx 90 tissue or Newport Optics cleaning tissue
- For the lens only—lens cleaning solution and microfiber cloth
- For the reflector only—Methanol
- Isopropyl Alcohol Reagent Grade (ACS) 99.9%
- Acetone Reagent Grade (ACS)
- Optical grade cotton swabs with wooden stems
- Sticklers Fiber Optic Cleaner (can be used on all optical components)
- A bright, portable illumination device such as an LED flashlight

Remove dust from the projection lens

1. Brush most of the dust off with a camel-hair brush or use a dust-free blower.
2. Fold a microfiber cloth and wipe the remaining dust particles off the lens with the smooth portion of the cloth that has no folds or creases. Do not apply finger pressure. Instead, use the tension in the folded cloth to remove the dust.
3. If significant dust remains on the lens surface, dampen a clean microfiber cloth with lens cleaning solution and wipe gently until clean.

Remove fingerprints, smudges, or oil from the projection lens

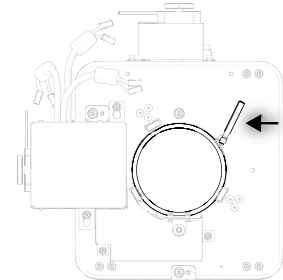
1. Brush most of the dust off with a camelhair brush or use a dust-free blower.

2. Wrap a lens tissue around a swab and soak it in lens cleaning solution. The tissue should be damp but not dripping.
3. Gently wipe the surface using a figure eight motion.
4. Repeat until the blemish is removed. Clean the lens only if absolutely required.

Remove the projection lens

5. Close the shutter.
6. Attach a large lens cap to the front of the lens to avoid damage.
7. Release the lens locking lever (up position).
8. Pull the lens straight out and attach a small lens cap to the rear of the lens to avoid damage.

For more details, see [Maintenance shutdown](#) on page 66.



Install the projection lens

1. Make sure the lens locking lever is in the up position.
2. If attached, remove the rear lens cap from the lens.
3. Slide the lens into the lens mount, aligning all connections.



Always install the lens with UP label in the top position. This assists in achieving consistent boresight alignment each time the lens is replaced.

4. Secure the lens with the lens locking lever (down position).
5. Calibrate the lens motors, as described below.

Calibrate the lens motors

If the lens motors are not calibrated properly, implications may include:

- Incorrect reporting of the lens motor position.
- Inability to use the full range of the lens motors.
- Lens motors traveling outside of the pre-defined keep-out area.
- Damage to the projector.

Calibrate the lens motors when any of the following conditions are met:

- After a lens change.
- After the projector is moved and/or jostled.
- After the lens motor IMCB has been replaced.

To calibrate the lens motors, on the touch panel controller, tap **Lens > Calibrate Lens Motors**.

Reset the lens to home position

To reset the lens to the default home position, on the touch panel controller, tap **Lens > Reset to Home Position**.

Troubleshooting

This section provides information and procedures for resolving common projector issues. If a projector issue cannot be resolved, contact a Christie accredited service technician.

Projector does not power on

- Make sure that all three circuit breakers on the lamp power supply (LPS) are turned on.
- Make sure the projector circuit breaker is set to the on position.
- Check the status LEDs on the rear corners of the projector for a fault condition. A flashing red LED indicates an alarm or warning preset with the projector and a problem that must be addressed.
- Use the touch panel controller (TPC) status menu to troubleshoot further.

Lamp does not ignite

- Make sure all three breakers on the lamp power supply (LPS) are set to their on positions.
- Check and correct all interlock failures.
- Check the lamp power supply communication connections and restart the projector.
- Verify that the lamp has been installed and connected properly. Verify the condition of the lamp and that it is not blackened or otherwise damaged.
- Verify the number of hours the lamp has operated. A lamp nearing the end of its operational life should be replaced.

Lamp suddenly turns off

- Increase the lamp power.
- Review and correct all interlock failures.
- Ensure the TPC has no temperature or fan RPM warnings. If all fans are running normally and the air filters are not blocked, the ambient air temperature may exceed the maximum operating specification. If possible, reduce the ambient temperature.

- Ensure no heat sources are exhausting into the projector's intake, or move the projector to a cooler environment.
- Verify the number of hours the lamp has operated. A lamp nearing the end of its operational life should be replaced.
- Check for a cross-connected condition.

A cross-connection hazard can occur when installing multiple projectors at once. A fire hazard exists if a lamp power supply interlock cable is connected to a different projector than its lamp power cables.

Flicker, shadows or dimness

- Make sure the shutter is fully open.
- Verify that a LampLOC calibration is not already in progress.
- Perform a LampLOC calibration.
- Increase the lamp power. Lamps which are near end of service may not operate reliably at a lower power setting.

LampLOC not working

- If the **Auto LampLOC** option is not working, on the touch panel controller, tap **Menu > Lamp > LampLOC** and adjust the lamp position manually. Observe screen brightness by adjusting the X, Y and Z values or use a light meter to check for changes in brightness.
- Make sure that the anode yoke is in the correct location.
- Check that the flat part of the anode end of the lamp (if applicable) faces up in the anode yoke.

Touch panel controller is blank

- If the touch panel controller (TPC) display is blank, make sure the TPC communication harness is connected securely.

Blank screen, no display of image

- Make sure both lens caps have been removed from the projection lens.
- Make sure the lamp is on.
- Make sure that all power connections are good.
- Make sure the shutter is fully open.

- Make sure that any test pattern (other than a full black test pattern or test pattern = none) displays properly.

Cannot communicate with projector

- Make sure the computer and the projector are both connected to the network.
- Make sure that all input devices have the same subnet mask and unique IP addresses.

Inaccurate display colors

- Adjust the color, tint, color space, and color temperature settings of the input source.
- On the touch panel controller, tap **Menu > Configuration > Color Correction** and verify the settings are correct.

Display is not rectangular

- Verify the projector is level and the lens surface and screen are parallel to one another.
- Adjust the vertical offset of the lens mount.

Display has suddenly frozen

- If the source is frozen, restart the source device.
- If the source is not frozen, restart the projector.

Display is jittery or unstable

- Verify that the input device is connected properly. If the input device is not connected properly, the projector repeatedly attempts to display an image.
- The horizontal or vertical scan frequency of the input signal may be out of range for the projector.

For more details, see [Specification](#) on page 82.

Incoming signal(s) problems

The Status tab > Signal group contains information about all the signals that the projector receives. A properly configured system shows the frequency and a status of Master or Locked for each input in the selected channel.

- If one or more of the signals are listed as No signal, verify that the source is properly configured and the cables are secure between the source and the projector.
- If one or more of the signals are listed as Inactive, either an incorrect channel has been selected or the cables are not plugged into the correct inputs.
- If one or more of the signals is listed as Unlocked or Out of phase, the source is not properly frame locked to the master signal. This usually occurs when two independent sources are not locked together. Verify the setup of the sources. If the sources are locked together, contact Christie Technical Support for help.

Touch panel controller or projector head problems on startup

Check the following to determine if the touch panel controller (TPC) or the projector head are experiencing problems on startup.

The projector has two sets of LEDs to help distinguish how far into the start-up process it is when a problem occurs.

For more details, see [LED expected behavior on power up](#) on page 53.

The Projector LEDs or the MCPU board power LED are not on

Solution 1

If AC power has been applied to the projector head, verify the power source.

Solution 2

If the AC power source is good and the AC power is applied to the projector head, check the LVPS and all the harnessing going to it inside the projector.

The MCPU board power LED is not on

If the AC power is applied to the projector head and the projector's LEDs turn on, the MCPU board or the ABP must be replaced. Replace the MCPU board first and if the problem is not resolved, replace the ABP.

- If replacing the MCPU board, indicate that the Power LED is non-functional.
- If replacing the ABP, indicate that power did not reach the MCPU board.

MCPU board power LED behavior

- Solid yellow—The MCU board must be replaced. Indicate that the MCU board failed to initialize.
- Blinking red—The MCU board must be replaced. Indicate that the MCU board failed to initiate the control FPGA.
- Blinking yellow/green—The MCU board is running in recovery mode and needs a software upgrade followed by a AC cycle of the projector head.

Touch panel controller does not connect

If the projector LEDs display solid yellow and the touch panel controller (TPC) has power but does not connect, the projector head is fine. However, a problem could exist between the TPC and the MCU board.

- Disconnect the corded harness to the TPC and reconnect it. You may need to replace the corded harness.
- Check for physical damage to the harness between the external TPC port and the ABP. Try changing the internal harness.

Run the projector interrogator

The interrogator captures diagnostic information Christie personnel uses to help diagnose and correct projector issues. If a projector issue cannot be resolved, Christie personnel may request an interrogator file from the projector.

Log files are compressed into a standard zip file.

1. On the touch panel controller, tap **Admin > Interrogator**.
2. Tap **Create File**.
3. Click **Continue**.
4. In the Choose destination directory dialog, navigate to the location where you want to store the log file.
5. Tap **Save**.

Save TPC log files

TPC log files can help you identify and correct issues with the touch panel controller. If a projector issue cannot be resolved, Christie personnel may request a TPC log file from the projector.

Log files are compressed into a standard zip file.

1. On the touch panel controller, tap **Admin > TPC Logs**.
2. Tap **Create File**.

3. In the Choose destination directory dialog, navigate to the location where you want to store the log file.
4. Tap **Save**.

Specification

This section provides detailed D4K3560 specifications. Due to continuing research, specifications are subject to change without notice.

Display

Panel Resolution and refresh rate	
Pixel format (H x V square pixels)	4096 x 2160
Processing path	23.97 - 60Hz

Achievable brightness (measured at screen center)	
	Nominal
2.0 kW (CDXL-20)	10,000 lumens
2.0 kW (CDXL-20SP)	10,000 lumens
3.0 kW (CDXL-30)	18,000 lumens
3.0 kW (CDXL-30SP)	19,000 lumens
4.5 kW (CDXL-45)	22,000 lumens
6.0 kW (CDXL-60)	35,000 lumens

NOTE: Brightness with 2.2 m twisted pair ballast cables.

Center point measurement only, with new lamp running at rated nominal power, except CDXL-60 lamps being run at 6.6kW

Achievable contrast ratio
450:1 ANSI, up to 2000:1 Full Frame ON/OFF

Color and grayscale resolution	
Displayable colors	35.2 trillion
Grayscale resolution	45 bits total linear, 25 bits per RGB component

White point	
Nominal white (full white, after calibration)	$y = 0.351 \pm 0.002$
	$x = 0.314 \pm 0.002$

Gamma	
Nominal	$2.6 \pm 5\%$

D4K3560 signal connectivity

Input configuration	Input format	Frame rate (Hz)	Interface	Cards	Cables	RGB/4:4:4 8-bit	RGB/4:4:4 10-bit	RGB/4:4:4 12-bit	4:2:2 10-bit	4:2:2 8-bit	4:2:2 12-bit
Four-Port	4K, QHD	24, 25, 30, 48, 50, 60	DisplayPort 1.1a	2x TDPIC	4	X	X		X		X
Two-Port	4K, QHD	24, 25, 30, 48, 50, 60	DisplayPort 1.1a	2x TDPIC	2	X					
Four-Port	4K, QHD	24, 25, 30, 48, 50, 60	HDMI 1.4a	2x THIC	4	X		X	X		X
Four-Port	4K, QHD	24, 25, 30, 48, 50, 60	3G-SDI	2x3GIC	4					X	
Two-Port	4K, QHD	24, 25, 30, 48, 50, 60	DVI (Dual)	2xDDIC	2	X					
Four-Port	4K, QHD	24, 25, 30, 48, 50, 60	DVI (Single)	4x DDIC	4	X					
Two-Port	4K, QHD	24, 25, 30	DVI (Single)	2xDDIC	2	X					
One-Port	2K, HD	24, 25, 30, 48, 50, 60	DisplayPort 1.1a	1x TDPIC	1	X			X		X
One-Port	2K, HD	24, 25, 30, 48, 50, 60	HDMI 1.4a	1x THIC	1	X		X	X		X
One-Port	2K, HD	24, 25, 30	3G-SDI	1x 3GIC	1	X		X	X		X
One-Port	2K, HD	48, 50, 60	3G-SDI	1x 3GIC	1						
One-Port	2K, HD	24, 25, 30, 48, 50, 60	DVI (Single)	1x DDIC	1	X					

Optional input cards

Input card	Part number	Additional information
Dual 3G SD/HD-SDI	108-313101-02+	
Dual Link DVI (DDIC)	108-312101-02+	Analog signals are not supported for this input card; therefore VGA port and VGA to DVI converters are not supported.
Twin HDMI (THIC)	108-311101-XX	
Twin DisplayPort (TDPIC)	108-451101-XX	

To determine which SDI signal types are officially supported, see [D4K3560 signal connectivity](#) on page 84.

Control signal compatibility

Ethernet port	
Interface	10Base-T/100Base-TX
Connector	Female RJ-45

USB	
Connector	Type B
Interface	USB to serial (bit rate identical to RS232)

3D Sync	
Connector	BNC Male
Interface	TTL inputs and outputs

RS422	
Connector	9-pin subminiature D, female
Bit rate	115,200 bps
Data format	1 start bit, 8 data bits, 1 stop bit, no parity

RS232 IN	
Connector	9-pin subminiature D, female
Bit rate	115,200 bps
Data format	1 start bit, 8 data bits, 1 stop bit, no parity

RS232 OUT

Connector	9-pin subminiature D, male
Bit rate	115,200 bps
Data format	1 start bit, 8 data bits, 1 stop bit, no parity

Lamp power supply (LPS)

Control port

Interface	RS232
Connector at lamp power supply end	9-pin subminiature D, male

Interlock port

Interface	+5V TTL-compatible, opto-isolated at LPS end
Connector at lamp power supply end	9-pin subminiature D, female
Number and type of signals	1 - lamp enable (low = enable lamp) 3 - safety interlock (high = disable lamp) 1 - +5V to power opto-isolation interface

Temperature sensor thresholds

The projector shutdowns within one minute of an error threshold being reached.

Location	Warning (°C)	Error (°C)	Remarks
Integrator rod	110	120	
Prism	65	75	
Air intake	47	52	
Lamp exhaust	100	N/A	
MCPU	75	95	
ABP	82	95	
HIP scaler	82	95	
HIP warp red	82	95	
HIP warp green	82	95	
HIP warp blue	82	95	
Formatter red	82	95	
DMD red	65	70	
Formatter green	82	95	

Location	Warning (°C)	Error (°C)	Remarks
DMD green	65	70	
Formatter blue	82	95	
DMD blue	65	70	
Option card 1	80	95	
Option card 2	80	95	
Option card 3	80	95	
Option card 4	80	95	
EVB	80	95	
Lens MCB	75	95	v1.0x software only; removed in v1.1.0+ software
Lamp MCB	90	95	v1.0x software only; removed in v1.1.0+ software

Warning thresholds for fans

All fan warnings are set to ~75% of their normal operating speeds.

Location	Warning RPM
Light engine intake (fan 5)	3300
Light engine intake (fan 6)	3300
Light engine intake (fan 8)	3300
Formatter—green blower (fan 7)	3500
Laminar airflow device (fan 4)	5900
Electronics intake (fan 10)	5700
Electronics intake (fan 11)	5700
Electronics intake (fan 12)	5700
Image processor warp blower (fan 9)	2400
Electronics exhaust (fan 1)	3400
Electronics exhaust (fan 2)	3400
Liquid cooling radiator (fan 3)	1800
Image processor scaler (fan 13)	5100

Warning threshold for liquid cooling module

Location	Warning
Flow meter	0.2mL/min
Liquid cooling pump	180 RPM

Touch panel controller

TPC 650H	
Type of display	Color VGA TFT LCD, backlit
Display size	144.8 mm (5.7 inches) diagonal
Display resolution (H x V pixels)	640 x 480
Maximum dimensions (W x H x D)	195 mm x 148 mm x 58 mm
Integrated operating system	Microsoft Windows® XPe
Communication interface with projector	10/100/1000 BaseT Ethernet
Power requirement	0.71A maximum at 24VDC \pm 10%
Interface connector	12-pin circular connector (push-pull)

Power requirements

Projection Head	
AC Input	
Rated input voltage	200 - 240 VAC
Rated line frequency	50 - 60 Hz nominal
Inrush current	70 A maximum
Current consumption	6 A maximum (at 200 VAC)
Power consumption	1200 W maximum
Current rating of AC input	10-15 A maximum (specified wall breaker)
Lamp (DC)	
Operating voltage range	18 - 46 VDC
Start-up voltage (open current)	135-175 VDC
Operating current range	50-180 A
Connector type	Field wireable lugs

7kW Lamp Power Supply

Nominal voltage range	Low line: 200 - 230 VAC High line: 380 - 415 VAC
Operating voltage range	Low line: 180 - 253 VAC High line: 342 - 456 VAC
Number of phases	3
Line frequency	50 - 60 Hz nominal
Inrush current	120 A maximum
Current per phase	Low line: 35 A maximum High line: 26 A maximum
Power Consumption	8.8 kW max. (at max. output for 6kW lamp plus head)
Current rating of 3phase AC input	37A

Lamp power supply output to projection head

Operating voltage range	18 - 46 VDC
Start-up voltage (open current)	125 - 155 VDC
Operating current range	50 - 180 A
Ripple	1% max (at 25°C, rated input and rated output)
Connector type	Field wireable lugs

Lamp power supply power receptacle output

Operating voltage range	200 - 230 VAC
Operating current range—projection head	6 A
Operating current range—heat extractor	1 A
Current rating of input	Both run from 15 A breaker (internal)

Power requirements

Projection Head**AC Input**

Rated input voltage	200 - 240 VAC
Rated line frequency	50 - 60 Hz nominal
Inrush current	70 A maximum
Current consumption	6 A maximum (at 200 VAC)

Projection Head

Power consumption	1200 W maximum
Current rating of AC input	10-15 A maximum (specified wall breaker)

Lamp (DC)

Operating voltage range	18 - 46 VDC
Start-up voltage (open current)	135-175 VDC
Operating current range	50-180 A
Connector type	Field wireable lugs

7kW Lamp Power Supply

Nominal voltage range	Low line: 200 - 230 VAC High line: 380 - 415 VAC
Operating voltage range	Low line: 180 - 253 VAC High line: 342 - 456 VAC
Number of phases	3
Line frequency	50 - 60 Hz nominal
Inrush current	120 A maximum
Current per phase	Low line: 35 A maximum High line: 26 A maximum
Power Consumption	8.8 kW max. (at max. output for 6kW lamp plus head)
Current rating of 3phase AC input	37A

Lamp power supply output to projection head

Operating voltage range	18 - 46 VDC
Start-up voltage (open current)	125 - 155 VDC
Operating current range	50 - 180 A
Ripple	1% max (at 25°C, rated input and rated output)
Connector type	Field wireable lugs

Lamp power supply power receptacle output

Operating voltage range	200 - 230 VAC
Operating current range—projection head	6 A
Operating current range—heat extractor	1 A
Current rating of input	Both run from 15 A breaker (internal)

Lamp

7kW Lamp Power Supply

Type	Xenon bubble
CDXL-20	1000W min., 2000W nom., 2200W max.
CDXL-20SP	1400W - 2000W
CDXL-30	2000W min., 3000W nom., 3300W max.
CDXL-30SP	2100W - 3000W
CDXL-45	2300W min., 4500W nom., 4950W max.
CDXL-60	2750W min., 6000W nom., 6600W max.

NOTE: The lamp power supply is current regulated to a maximum of 180 A. Therefore the maximum power specification for a given lamp may not be achievable until the lamp has aged, as lamp voltage increases with hours of use. The maximum power of the lamp power supply is restricted to 7000W ± 100W.

Average life

CDXL-20	2400 hours
CDXL-20SP	3200 hours
CDXL-30	1500 hours
CDXL-30SP	1900 hours
CDXL-45	1000 hours
CDXL-60	600 hours
Wait time between lamp strikes	2 minutes minimum

NOTE: Projectors typically force a 10 minute cool down period. Make sure not to re-strike the lamp any sooner than two minutes into this cool down period since hot re-strikes reduce lamp life.

Physical specifications

Overall size (L x W x H) (including lens mount and feet)	1298 x 648 x 483 (mm) 51.1 x 25.5 x 19.0 (inches)
---	--

Projector head weight

Without lens mount cover	114 kg (251 lbs)
Shipping (includes packaging)	146 kg (322 lbs)

Operating position

Rotation about projection axis	+90 degrees maximum (lamp door down), -15 degrees maximum
--------------------------------	---

Tilt of projection axis from horizontal	± 15 degrees maximum
---	----------------------

Regulatory

This product conforms to the following regulations related to product safety, environmental requirements and electromagnetic compatibility (EMC).

Safety

- CAN/CSA C22.2 No. 60950-1
- ANSI/UL 60950-1
- IEC 60950-1
- EN 60950-1
- IEC 62471-1

Approvals

This product is designed and built to comply with all relevant directives, standards, safety, health and environmental rules and regulations required for the product to be sold in: USA/Canada, EU, Norway, Australia/New Zealand, Kuwait, China, Korea, Japan, Mexico, Ukraine, Russia, India, Argentina, Brazil, Singapore, South Africa, and Saudi Arabia international packaging recycling mark requirements.

- EU Directive (94/62/EC) on packaging and packaging waste;
- China packaging recycling mark standard (GB18455-2001).

Electro-magnetic compatibility

Emissions

FCC CFR47, Part 15, Subpart B, Class A

CAN ICES-3 (A) / NMB-3 (A)

CISPR 22/EN 55022, Class A

- IEC 61000-3-2/EN61000-3-2

Immunity

CISPR 24/EN55024

- IEC 61000-3-3/EN61000-3-3

Environmental

EU Directive (2011/65/EU) on the restriction of the uses of certain hazardous substances (RoHS) in electrical and electronic equipment and the applicable official amendment(s)

EU Regulation (EC) No. 1907/2006 on the registration, evaluation, authorization and restriction of chemicals (REACH) and the applicable official amendment(s).

EU Directive (2012/19/EU) on waste and electrical and electronic equipment (WEEE) and the applicable official amendment(s)

China Ministry of Information Industry Order No.39 (02/2006) on the control of pollution caused by electronic information products, hazardous substances concentration limits (SJ/T11363-2006), and the applicable product marking requirements (SJ/T11364-2006)

Environment

Operating environment	
Temperature	10 to 35°C (50 to 95°F)
Humidity (non-condensing)	20 to 80%
Altitude	0 to 3000 meters
Maximum ambient temperature	35°C
Non-operating environment	
Temperature	-25 to 65°C (-13 to 149°F)
Humidity (non-condensing)	0 to 95%

Accessories

Standard (Included with product)	
<ul style="list-style-type: none"> • Lens plug (required for shipping when lens is not installed to prevent contamination of critical optical components) 	
<ul style="list-style-type: none"> • Nylon safety strap with clip (required to secure projector to tabletop or optional rack mount) 	
<ul style="list-style-type: none"> • Touch panel controller (TPC) with interface cable 	<ul style="list-style-type: none"> • Shroud
<ul style="list-style-type: none"> • Light engine removal tool 	<ul style="list-style-type: none"> • Convergence tool
<ul style="list-style-type: none"> • Warranty card 	<ul style="list-style-type: none"> • Web registration form
<ul style="list-style-type: none"> • Low security keys 	
(Included with Lamp Power Supply)	
<ul style="list-style-type: none"> • 10' Line Cord (250V/10A) 	<ul style="list-style-type: none"> • Harness package (includes 4 cables)

Lenses (sold separately)

Description	Part number
Lens 0.72:1	113-104106-XX
Lens 0.9:1	38-809071-XX
Lens 1.13-1.31:1	129-104106-XX
Lens 1.31-1.63:1	129-105107-XX
Lens 1.63-2.17:1	129-106108-XX
Lens 1.98-2.71:1	129-107109-XX
Lens 2.71-3.89:1	129-108100-XX
Lens 3.89-5.43:1	129-109101-XX
Lens 5.0-7.69:1	129-110103-XX

Note: The lens throw values in the lens name may differ from the actual throw ratios. For details, see the 4K Lens Throw Technical Reference (P/N: 020-100904-XX).

Replacement Lamps (sold separately)

Description	Part number
CDXL-20	003-000598-02
CDXL-20SP	003-004251-01
CDXL-30	003-000599-02
CDXL-30SP	003-004252-01
CDXL-45	003-000600-02
CDXL-60	003-000601-02

Replacement air filters (sold separately)

Description	Part number
Light engine filter (five-pack)	003-001184-XX
Liquid cooling radiator filter	003-003082-XX
LAD filter (three-pack)	003-001982-51P

Other Accessories (sold separately)	
Description	Part Number
Rack stand	108-282101-XX
Bracket foot lock used with optional rack stand	116-100101-XX
High-contrast Internal Aperture kit	38-813028-51
Service Manual	available online
Firmware Installation program	available online
Coolant propylene glycol	003-103148-XX
TPC remote cable	003-111169-XX
Heat extractor kit	38-814008-61



ASSYTECH DOCS D4K3560

Corporate offices

USA – Cypress
ph: 714-236-8610

Canada – Kitchener
ph: 519-744-8005

Consultant offices

Italy
ph: +39 (0) 2 9902 1161

Worldwide offices

Australia
ph: +61 (0) 7 3624 4888

Brazil
ph: +55 (11) 2548 4753

China (Beijing)
ph: +86 10 6561 0240

China (Shanghai)
ph: +86 21 6278 7708

Eastern Europe and
Russian Federation
ph: +36 (0) 1 47 48 100

France
ph: +33 (0) 1 41 21 44 04

Germany
ph: +49 2161 664540

India
ph: +91 (080) 6708 9999

Japan (Tokyo)
ph: 81 3 3599 7481

Korea (Seoul)
ph: +82 2 702 1601

Republic of South Africa
ph: +27 (0)11 510 0094

Singapore
ph: +65 6877-8737

Spain
ph: + 34 91 633 9990

United Arab Emirates
ph: +971 4 3206688

United Kingdom
ph: +44 (0) 118 977 8000

