

Roadie HD+35K Portrait Upgrade Kit Instruction Sheet

SAFETY AND WARNING GUIDELINES

⚠ DANGER HIGH VOLTAGES MAY BE EXPOSED! Always power down and disconnect power sources prior to servicing. Once the projector is powered down, allow the cooling fans to automatically turn OFF before disconnecting from AC and opening the projector.

⚠ WARNING QUALIFIED SERVICE TECHNICIANS REQUIRED! All module replacement procedures must be performed by Christie accredited service technicians.

⚠ WARNING NON-INSULATED DANGEROUS VOLTAGES MAY BE EXPOSED! Always disconnect from AC prior to disassembly.

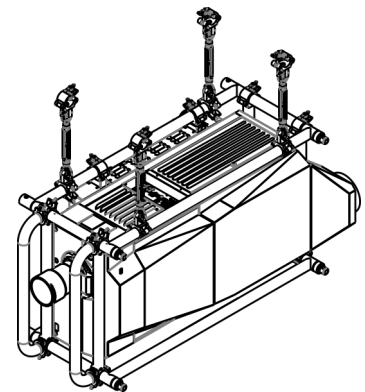
⚠ WARNING OBSERVE ALL ELECTROSTATIC PRECAUTIONS! Use a grounded wrist strap when handling electronic assemblies.

⚠ CAUTION Never operate the projector (or the fans) without all the covers installed.

⚠ CAUTION Failure to operate the projector in the correct portrait mode orientation can cause severe damage to the projector.

INTRODUCTION

The Roadie HD+35K projector must be installed in a Christie rigging frame (P/N 38-814007-XX) and suspended as not to block ventilation. The projector can be used in portrait mode after installing the upgrade kit. The following instructions detail the steps required to install the portrait upgrade kit.



KITS REQUIRED

Kit Portrait Mode Roadie (P/N 000-102632-XX) includes:

- (1) Lamp Anode Stand Assembly (P/N 000-102637-XX)
- (3) Rubber Isolator (P/N 012-100753-XX)
- (3) 10-32 Screw (P/N 012-100425-XX)
- (3) Flat washers (P/N 012-100500-XX)
- (2) Wire rope lanyard 6-inch LG (P/N 012-100997-XX)

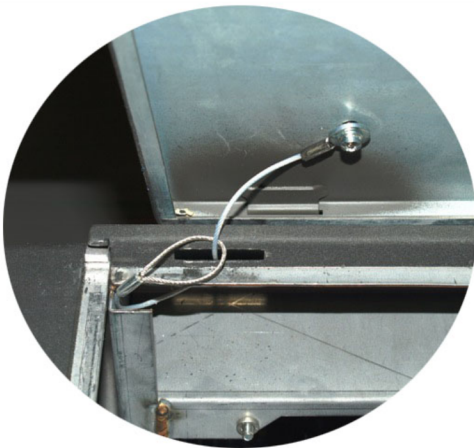
TOOLS REQUIRED

- #2 Phillips® screwdriver
- 3/8-inch wrench
- 3/16-inch Hex driver

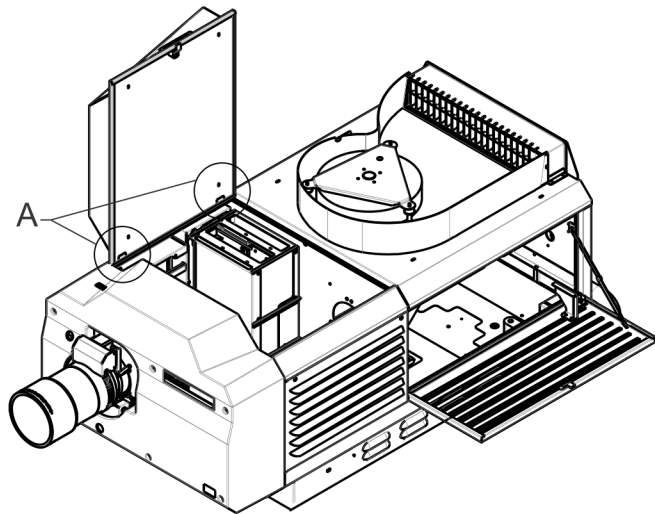
INSTRUCTIONS

FRONT TOP COVER

Secure the front top cover to the projector to prevent it from falling off while using in portrait mode. Cover Should be locked when projector is in use.



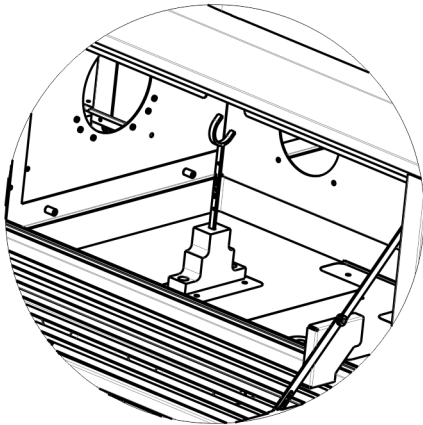
DETAIL A



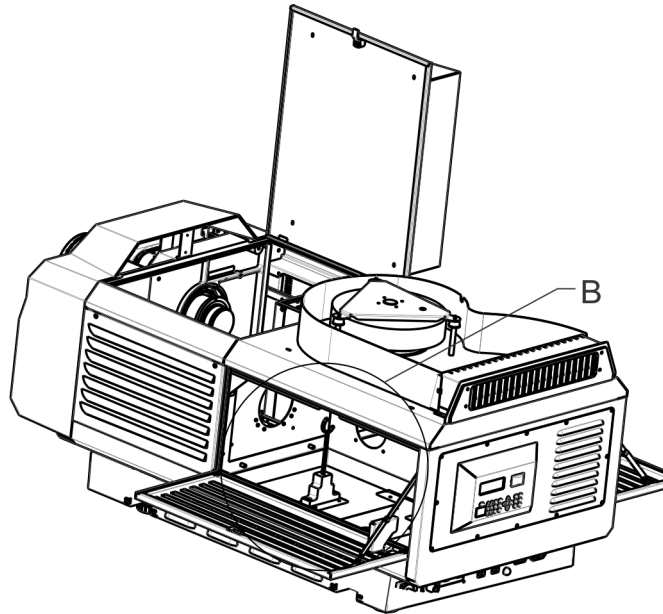
1. Unlock the lid.
2. Lift lid.
3. Loop cable through slot.
4. Feed terminal end through the loop.
5. Remove screw and install terminal.
6. Reinstall screw.
7. Repeat steps 2-5 for other side.
8. Close and lock lid.

NEW LAMP ANODE STAND

Replace the existing lamp anode stand with the new one.



DETAIL B



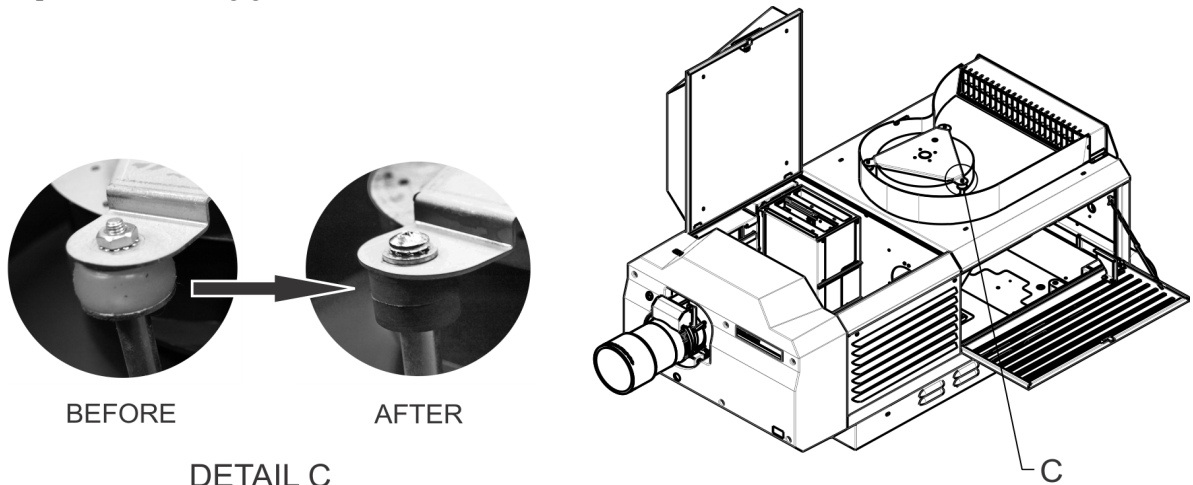
1. Open lamp door.
2. Remove existing lamp anode stand.
3. Install new lamp anode stand in the orientation shown.

NOTE: 1) The opening must be farthest away from the lamp door. 2) Torque screws to 35in-lbs (4Nm).

4. Close lamp door.

FAN VIBRATION ISOLATORS

Replace the existing gel isolators with rubber isolators.



DETAIL C

1. Remove back top cover and exhaust lid assembly. See section 5.3.2 *Back Top Cover/Exhaust Lid Assembly* of the *service manual (P/N 020-100341-XX)* for more details.
2. Remove (3) nuts securing the fan bracket to the vibration mounts.
3. Remove fan bracket assembly carefully.
4. Remove the existing (3) gel isolators.
5. Install (3) new black rubber isolators.
6. Reinstall the fan bracket assembly.
7. Secure the fan bracket assembly to the new rubber isolators with the (3) 10-32 screws and the (3) flat washers provided.
8. Torque the (3) screws to *12in-lbs (1.36Nm)*.
9. Reinstall the back top cover and the exhaust lid assembly.

PROJECTOR ORIENTATION

⚠ WARNING For portrait mode, the projector **MUST** be oriented with lens closest to the top side up. Failure to do so will cause damage to the projector. Max tilt ± 15 degrees.

Once oriented in portrait mode, lamp alignment must be performed for optimum brightness.

