

MicroTiles Thermal Actuator Removal Instruction Sheet

General Safety Precautions

⚠ WARNING

- Servicing must be performed by Christie service personnel or a Christie authorized service provider. Use replacement parts that are manufacturer-approved only. Use of any other part other than the ones specified by the manufacturer can result in fire, electric shock or risk of personal injury and irreparable equipment damage.
- Do not service the Christie MicroTiles while they are still connected. There are exposed voltages that could cause severe physical injuries and possibly death.

⚠ CAUTION

- Do not operate with heatsinks removed.
- Disconnect tile(s) from AC power before testing, removing, or installing modules.
- Do not operate the tile(s) with any internal part removed.

NOTICE

- When using screen S310, failure to remove thermal actuators from applicable MicroTiles display units can result in damage to the screen.
- A cover plate must be installed once a thermal actuator is removed to keep dust and debris from entering the unit.

Introduction

This procedure only applies to MicroTiles display units with P/N 123-001102-01.

Each MicroTiles display unit with part number 123-001102-01 is equipped with a thermal actuator that activates when it reaches 40°C (104°F).

When activated, the actuator extends pushing the bottom of the screen a small distance away from the display unit, thereby releasing any potential pressure build-up between screens due to expansion at high temperatures. When the temperature of the actuator returns below 40°C (104°F), it retracts. The screens may need to be pushed back into position.

Christie permits the permanent removal of the thermal actuator and installation of a small cover plate, as described in this instruction sheet, without affecting the product warranty in the following situations:

- **When using screen S310, removal of the actuators is mandatory.** This is because the S310 screen is slightly larger than previous models and will collide at a lower temperature and humidity level than the activation threshold for the thermal actuators in these units.
- When using screen S300, removal of the actuators is optional. Removal of the actuators may be desirable if the screens will be installed close to a window or touch surface, or where relocating the screens afterwards is very awkward.

Kits Required

- 003-003949-xx Thermal Actuator Removal Kit

Tools Required

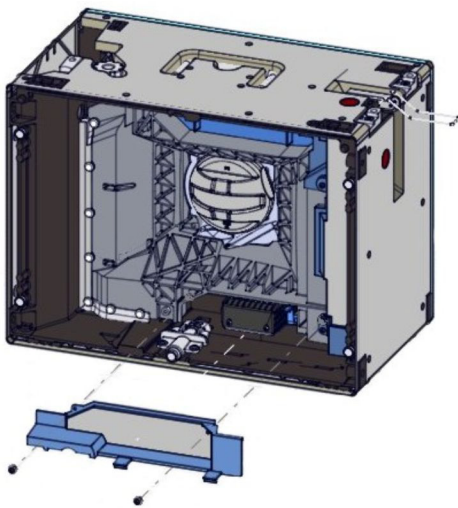
- #1 Phillips™ screwdriver
- #10 Torx Driver

Instructions

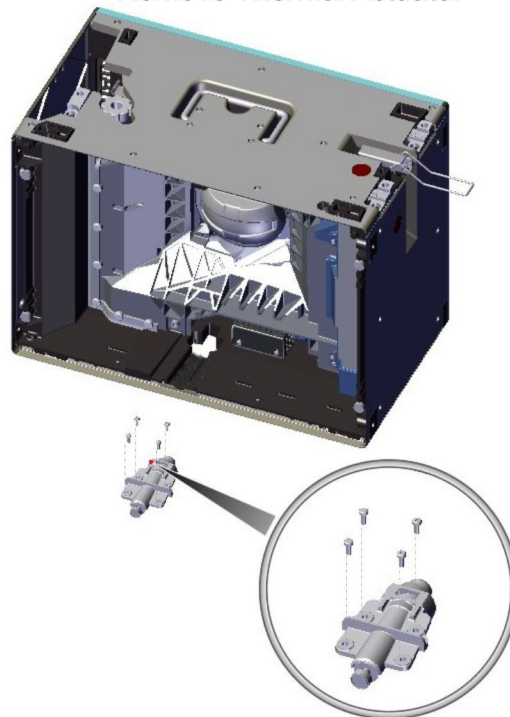
Remove thermal actuator (5 minutes)

1. Remove the screen. Refer to the *MicroTiles User Manual (P/N 020-100329-xx)*.
2. Use a #1 Phillips™ screwdriver to remove the 2 screws securing the lower duct cover.
3. Use a #10 Torx driver to remove the 4 screws securing the thermal actuator to the display casing.
4. Remove the thermal actuator.

Remove Lower Duct Cover

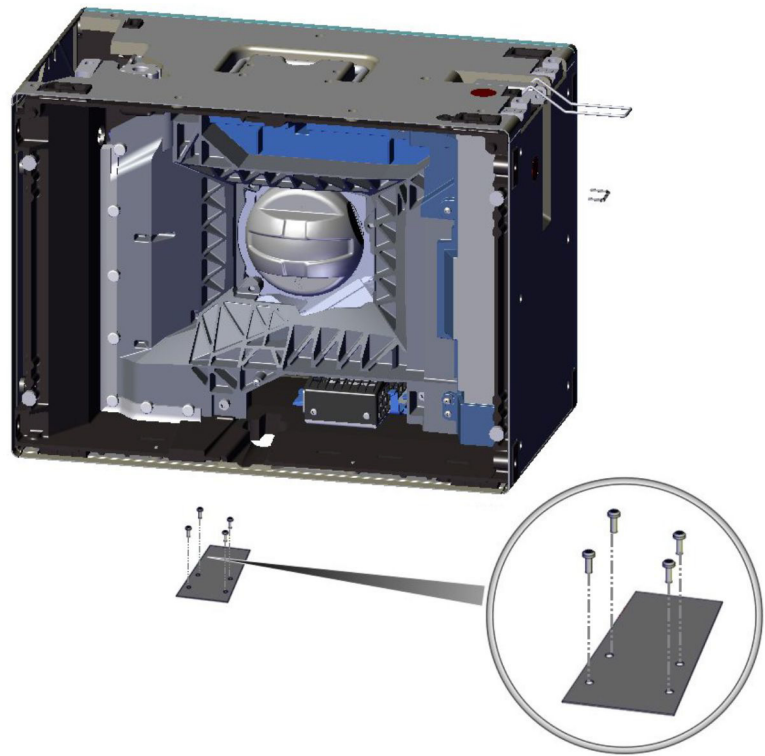


Remove Thermal Actuator



Install Cover Plate

1. Secure the cover plate to the housing using the 4 screws that held the thermal actuator in place.



2. Secure the lower duct cover (2 screws).
3. Replace the screen. Refer to the [MicroTiles User Manual \(P/N 020-100329-xx\)](#).