

ML10/MP10 46" and 55" Spacer Kit Instruction Sheet

INTRODUCTION

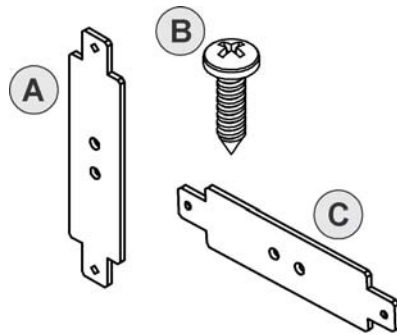
The spacer kit is an optional accessory for the 46" and 55" ML10/MP10 Video Wall Mounts. It is used to easily align each video wall mount and enable you to quickly complete your installation. For more information on the video wall mount, refer to the *ML10/MP10 40-65" Video Wall Mount Instruction Sheet (P/N: 020-100726-xx)*.

OTHER AVAILABLE RESOURCES

- LCD Panel FHD551-X/XG and FHD461-X User Manual (P/N: 020-100713-xx)
- ML10/MP10 40-65" Video Wall Mount Instruction Sheet (P/N: 020-100726-xx)

PARTS LIST

NOTE: *Parts may appear slightly different than illustrated.*



NOTE: *Vertical Spacer (A) is identified*

Description		Qty.
A	Vertical Spacer	2
B	#10 x 3/4" Wood Screw	8
C	Horizontal Spacer	2

KITS REQUIRED

- LCD Spacer Kit 55" ML10 (P/N: 135-102104-01)
- LCD Spacer Kit 55" MP10 (P/N: 135-107109-01)
- LCD Spacer Kit 46" ML10 (P/N: 135-110103-01)
- LCD Spacer Kit 46" MP10 (P/N: 135-111104-01)

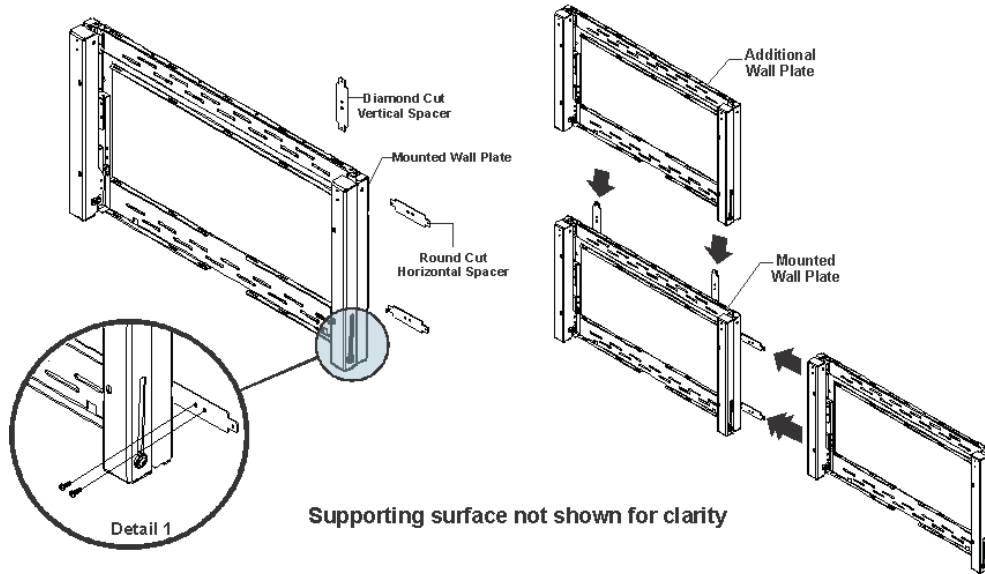
REQUIRED NUMBER OF SPACER KITS

		Number of Horizontal Screens									
Number of Screens		1	2	3	4	5	6	7	8	9	10
Number of Vertical Screens	1	0	1	2	3	4	5	6	7	8	9
	2	1	2	4	6	8	10	12	14	16	18
	3	2	4	6	9	12	15	18	21	24	27
	4	3	6	9	12	16	20	24	28	32	36
	5	4	8	12	16	20	25	30	35	40	45
	6	5	10	15	20	25	30	36	42	48	54
	7	6	12	18	24	30	36	42	49	56	63
	8	7	14	21	28	35	42	49	56	64	72
	9	8	16	24	32	40	48	56	64	72	81
	10	9	18	27	36	45	54	63	72	81	90

INSTRUCTIONS

- Slide the vertical and horizontal spacers into the tab of the mounted wall plate, as shown below. Keeping the spacers flush up against wall plate fasten with two #10 x 3/4" wood screws, as shown in **Detail 1**. There must be two spacers placed on the same side as the additional wall plate. Align the tabs of the additional wall plate flush with the spacers. Follow the instructions in the *ML10/MP10 LCD Video Wall Mount Instruction Sheet (P/N: 020-100726-xx)* for proper installation of additional wall plates.

Landscape Orientation



Portrait Orientation

