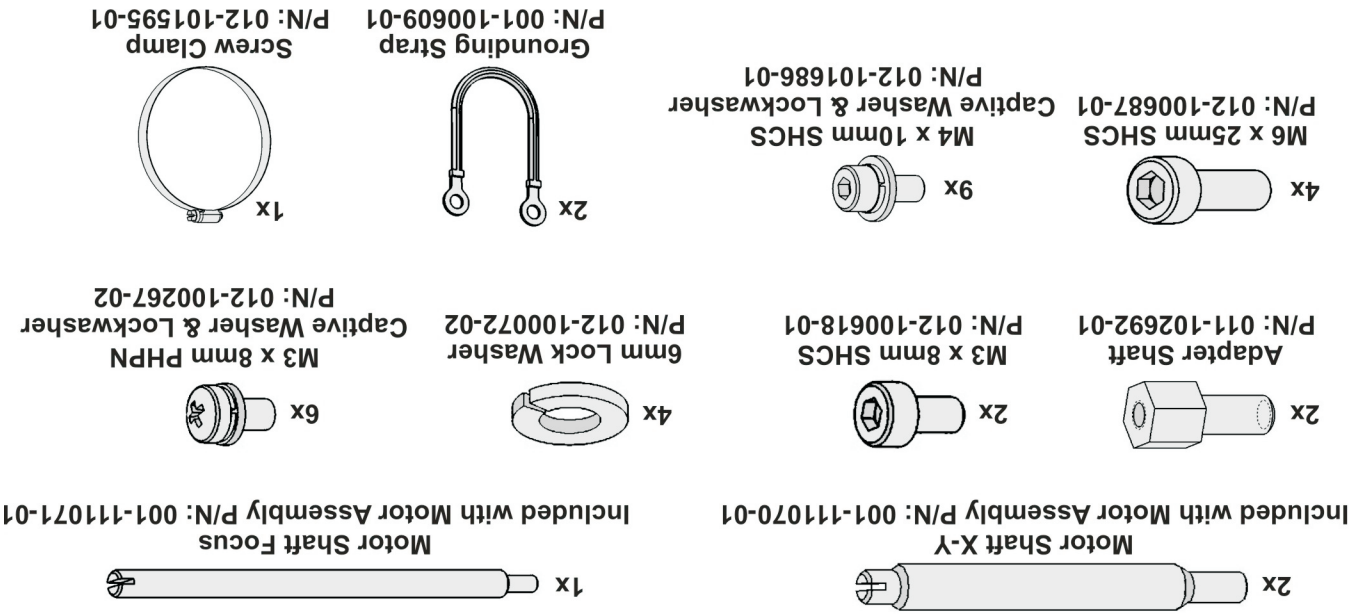


**Motorized Lens Mount Assembly Before and After**



**Hardware Supplied**



**Tools Required**

**Preventative Maintenance**  
Preventative maintenance is an important part of the continued and proper operation of your product. Failure to perform maintenance as required, and in accordance with the maintenance schedule specified by Christie, will void the warranty.

**Warranty**  
For complete information about Christie's limited warranty, please contact your Christie Dealer. In addition to the other limitations that may be specified in Christie's limited warranty, the warranty does not cover:  
(a) Damage occurring during shipment, in either direction.  
(b) Damage caused by misuse, improper power source, accident, fire, flood, lightning, earthquake or other natural disaster.  
(c) Damage caused by improper installation/misalignment, or by product modification, if by other than a Christie authorized repair service provider.  
(d) Failure due to normal wear and tear.

**Notices**  
Manufacturing facility is ISO 9001 and 14001 certified. Performance specifications are typical, but may vary depending on conditions beyond Christie's control, such as maintenance of the product in proper working conditions. Performance specifications are based on information available at the time of printing. The equipment is designed and manufactured with high-quality materials and components that can be recycled and reused. This symbol means that electrical and electronic equipment, at their end-of-life, should be disposed of separately from regular waste. Please dispose of this equipment appropriately and according to local regulations. In the European Union, there are separate collection systems for used electrical and electronic products. Please help us to conserve the environment we live in!

**Trademarks**  
All brand names and product names are trademarks, registered trademarks or trade names of their respective holders.  
**Copyright**  
© 2010 Christie Digital Systems USA, Inc. - All rights reserved. This document contains proprietary information of Christie Digital Systems Canada, Inc. and Christie Digital Systems USA Inc., and may not be reproduced, stored in a retrieval system, transferred to other documents, disclosed to other manufacturers, or used for manufacturing or for any other purpose, in whole or in part, without prior written permission of Christie Digital Systems, Inc. Every effort has been made to ensure accuracy; however, in some cases changes in the products or availability could occur which may not be reflected in this document. Christie Digital Systems USA, Inc., reserves the right to make changes to specifications at any time without notice. The information furnished in this publication was believed to be accurate and reliable. Christie Digital Systems USA, Inc., makes no warranty of any kind with regard to this material, including, but not limited to, implied warranties of fitness for a particular purpose. Christie Digital Systems USA, Inc., shall not be liable for errors contained herein or for incidental or consequential damages in connection with the performance or use of this material.

# Upgrading a Non-Motorized Lens Mount

## Installation Instructions

020-100604-01

**Corporate offices**

**USA-Cypress**  
ph: 714-236-8610

**Canada-Kitchener**  
ph: 519-744-8005

**Worldwide offices**

**United Kingdom**  
ph: +44 118 977 8000

**Germany**  
ph: +49 2161 664540

**France**  
ph: +33 (0) 1 41 21 44 04

**Hungary/Eastern Europe**  
ph: +36 (0) 1 47 48 100

**Singapore**  
ph: +65 6877 8737

**Shanghai**  
ph: +86 21 6278 7708

**Beijing**  
ph: +86 10 6561 0240

**Korea**  
ph: +82 2 702 1601

**Japan**  
ph: +81 3 3599 7481

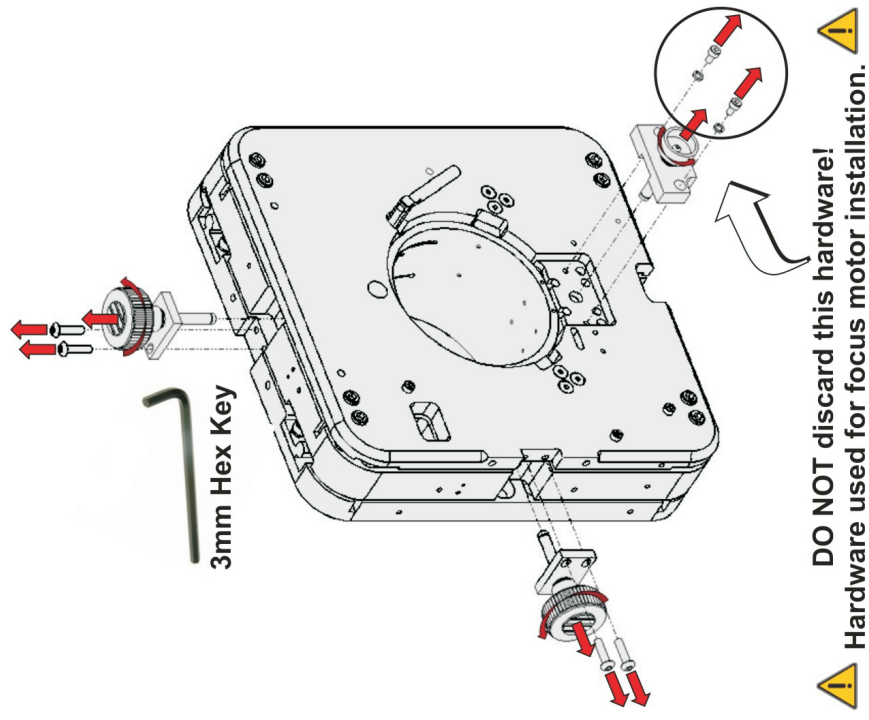


For the most current technical documentation, please visit [www.christiedigital.com](http://www.christiedigital.com).

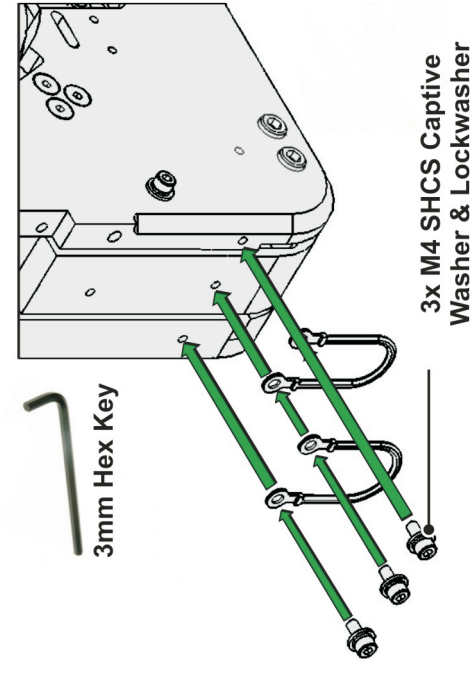
© Copyright 2010 Christie Digital Systems, Inc. All rights reserved. All brand names and product names are trademarks or tradenames of their respective holders. Canadian manufacturing facility is ISO 9001 and 14001 certified. Performance specifications are typical. Due to constant research, specifications are subject to change without notice. Printed in Canada. Some or all of this document is printed on recycled paper.

Printed in Canada. Some or all of this document is printed on recycled paper.

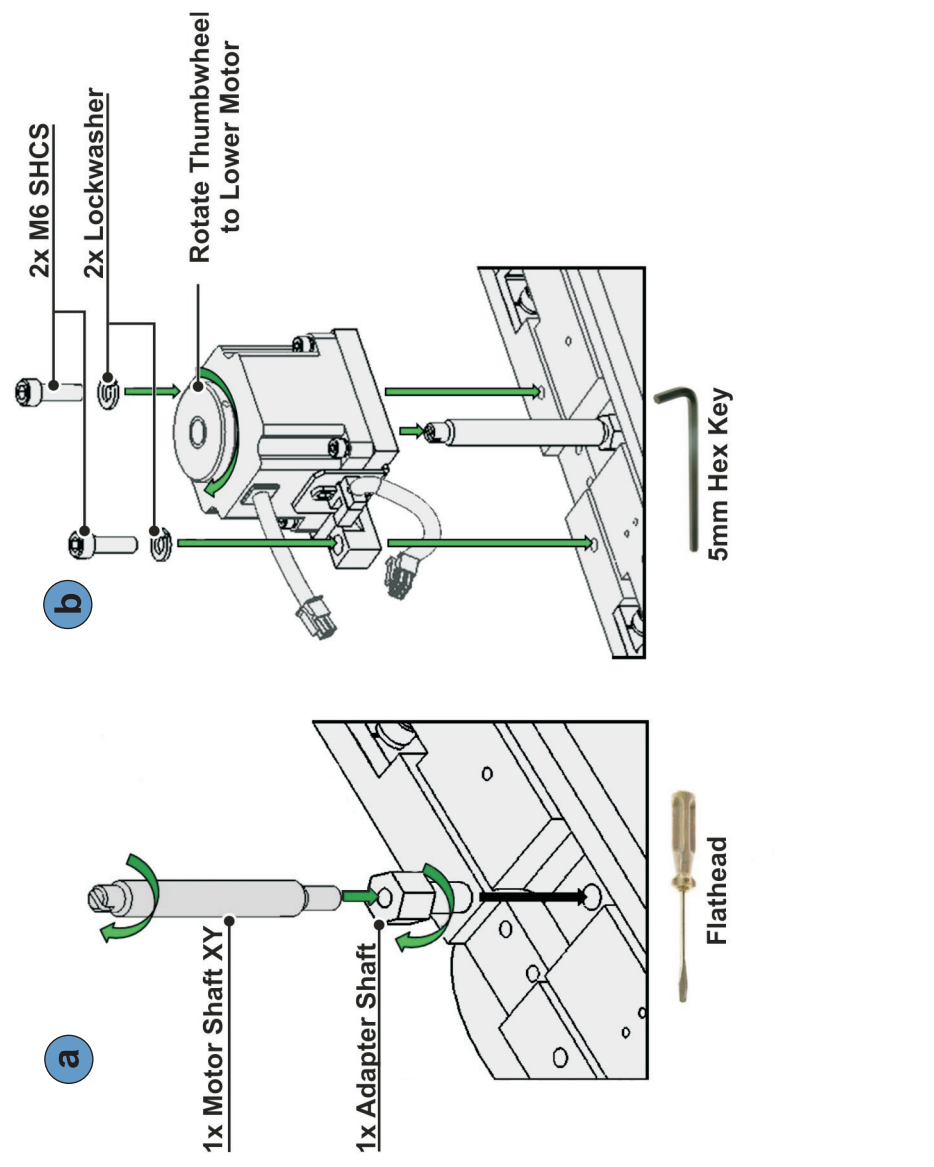
**1** Manual Lens Mount Disassembly  
(Remove lens if already installed)



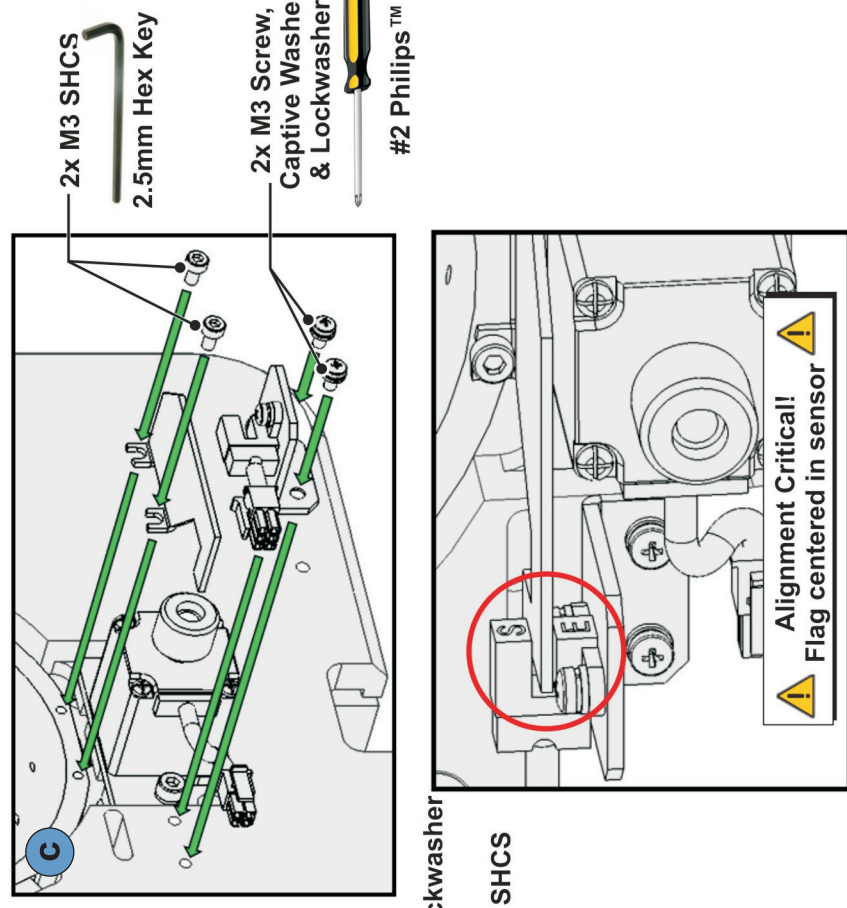
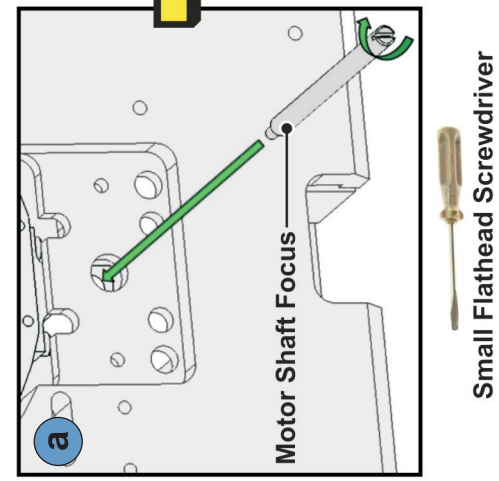
**2** Grounding Strap Installation  
(If required)



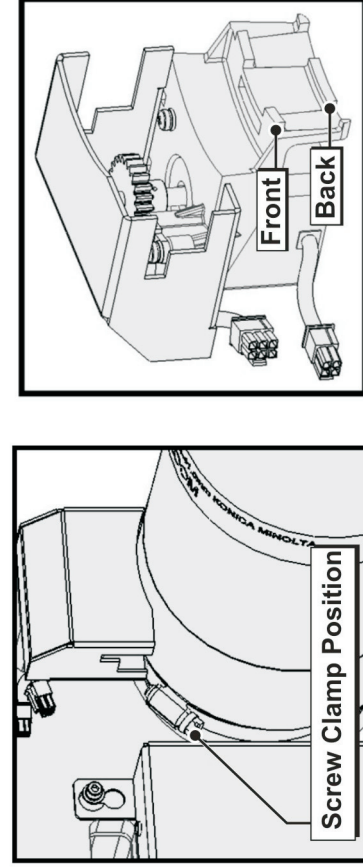
**3** Vertical & Horizontal Motor Installation



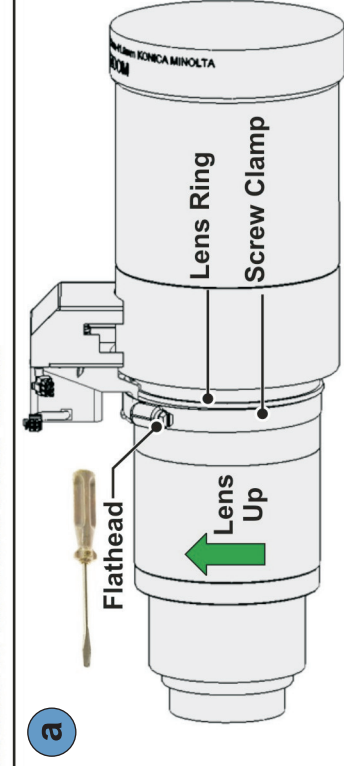
**4** Focus Motor Installation



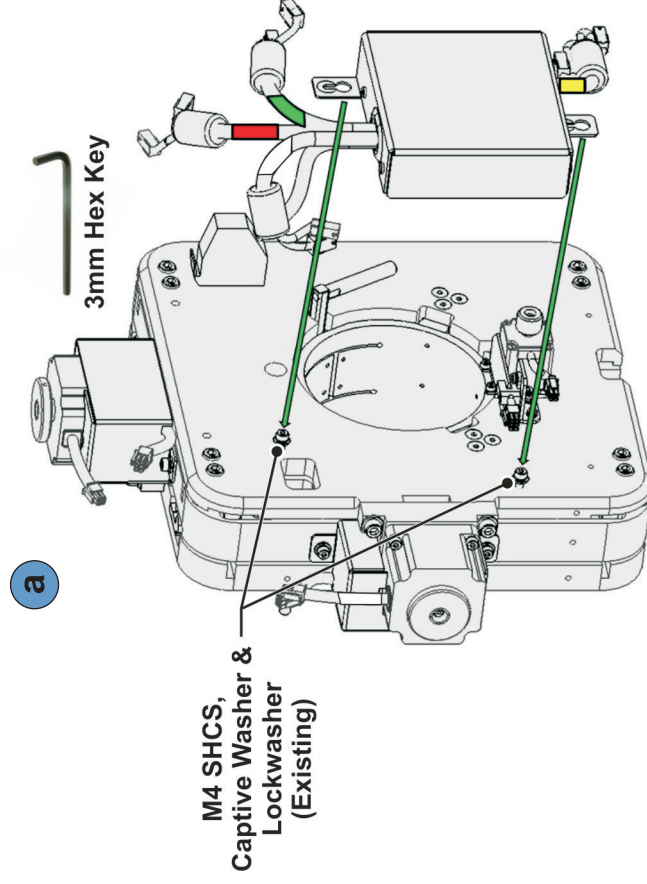
**6** Zoom Motor Assembly Installation



Zoom Ring against Front of Motor Mount for Lenses: 1.6-2.4:1, 1.8-3.0:1, 2.15-3.6:1  
Zoom Ring against Back of Motor Mount for Lenses: 1.45-2.05:1, 1.25-1.83:1  
All other Lenses: Leave Gap between Rotating Zoom Section of Lens and Motor Mount



**5** Motor Control Assembly Installation



**b** NOTE: Install lens before performing this step.

