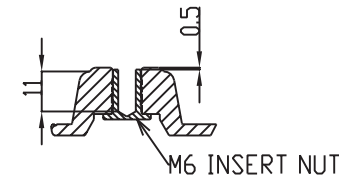
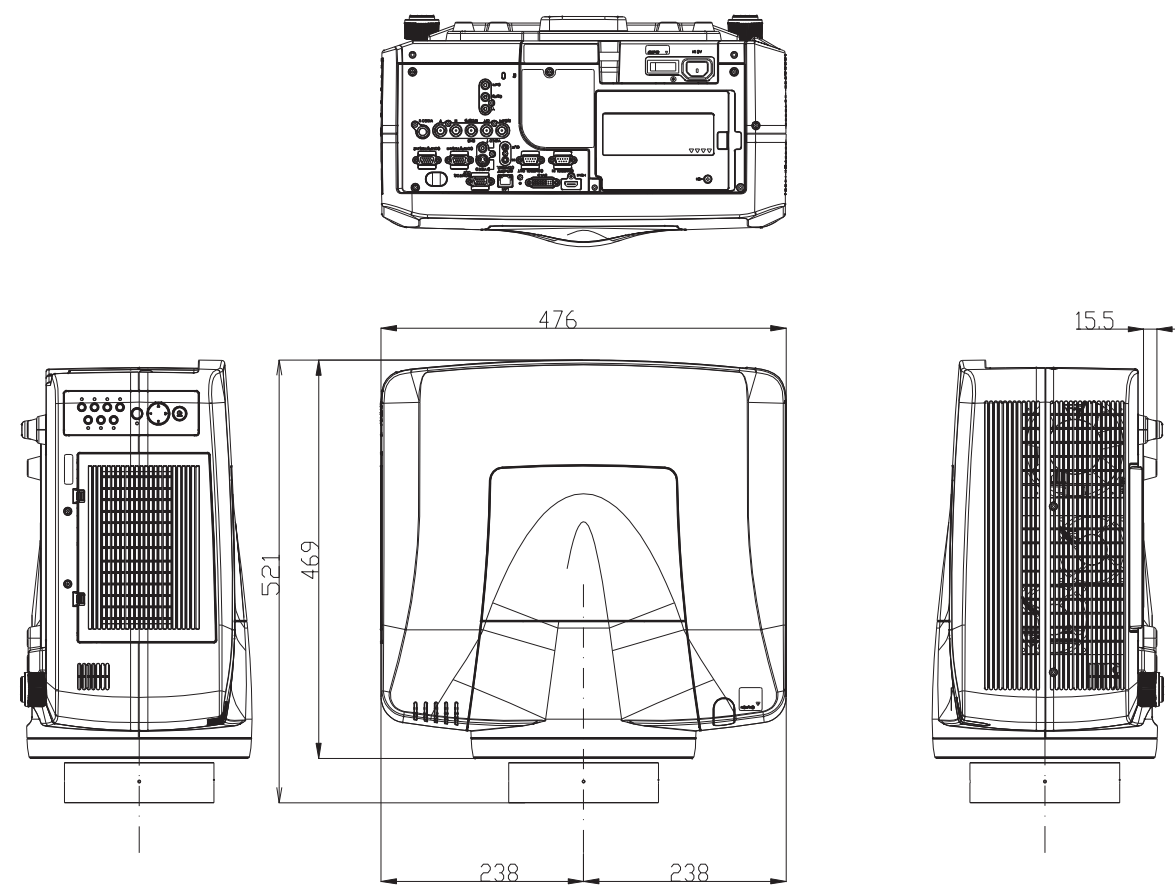


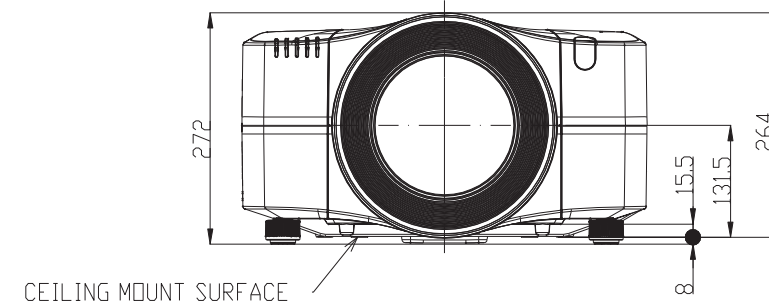
ISSUE HISTORY OF:

REV	DESCRIPTION OF CHANGE	BY	PREP DATE
01	Initial release	R. Gagnon	06-23-09

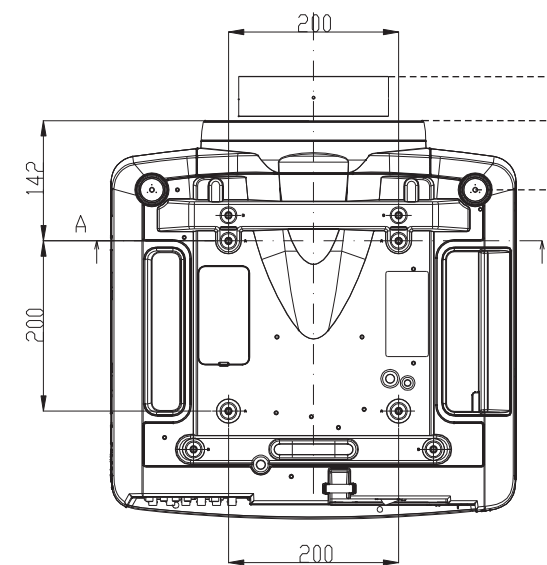
[Unit:mm]



A-A
4 THREADS DETAILS



CEILING MOUNT SURFACE



Refer to Chart →
81mm

Lens Part #	Lens	Distance from Bezel to end of Lens
121-104106-01	0.5-0.6:1	47.24mm
121-105107-01	1.2-1.5:1	55.81mm
121-106108-01	1.5-2.2:1	84.77mm
121-107109-01	2.2-2.9:1	64.60mm
121-108100-01	2.8-5.2:1	68.96-77.96mm
121-109101-01	5.0-9.2:1	87.04-98.27mm

Note: There are distance ranges in 121-108100-01 and 121-109101-0 lens due to focus position.

CHRISTIE

809 WELLINGTON STREET NORTH
KITCHENER, ONTARIO, CANADA
N2G 4Y7

PART DESCRIPTION			
DWG Line LW650			
SIZE	PART NUMBER	REVISION	
B	020-000162-02	01	
SCALE	MASS	SHEET 1 OF 1	
1:1	LBS[KG]		
PROPRIETARY		NOT TO BE DISCLOSED OR REPRODUCED IN ANY MANNER WITHOUT THE EXPRESS WRITTEN PERMISSION OF CHRISTIE	