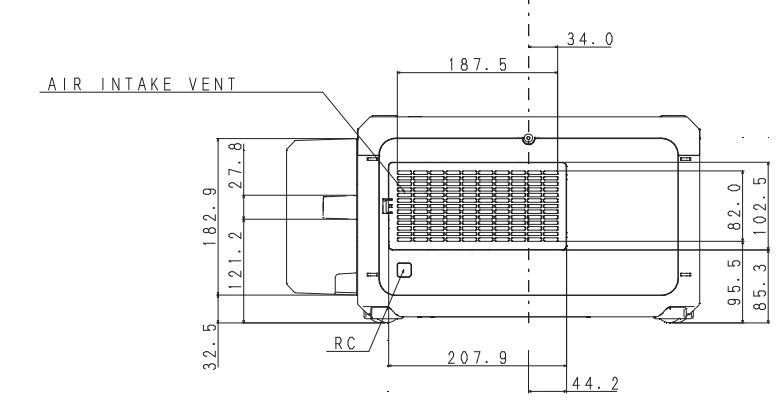
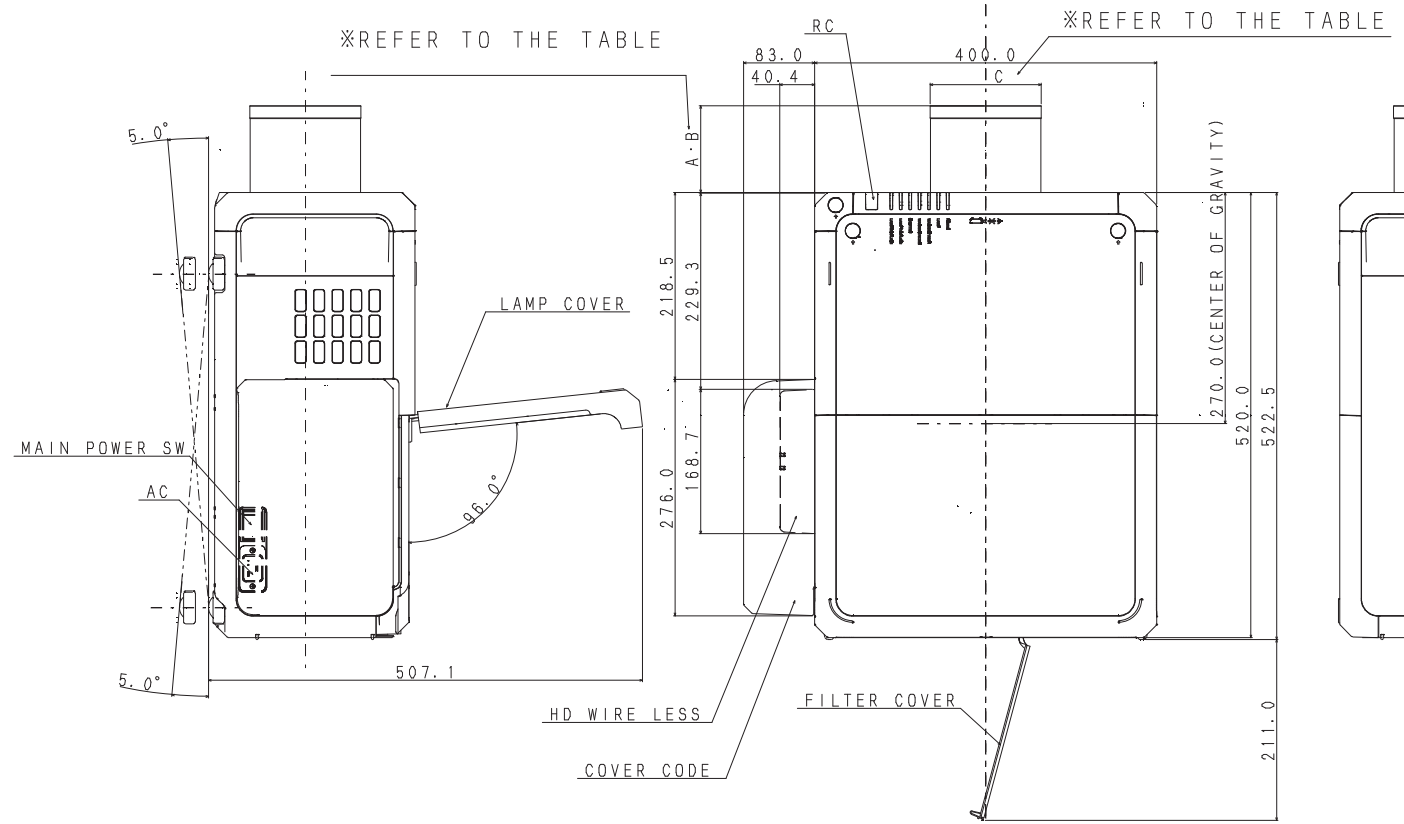
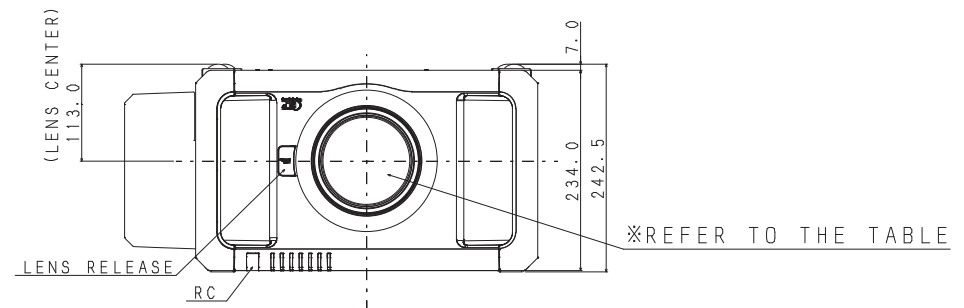
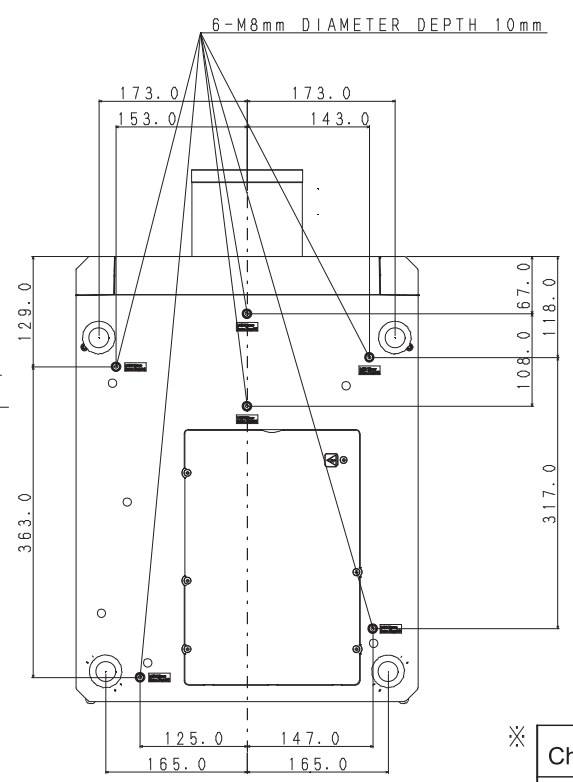


ISSUE HISTORY OF:

REV	DESCRIPTION OF CHANGE	BY	PREP DATE
01	Initial release	R. Gagnon	07-23-10



SET DIM : 400.0 (W) X 234.0 (H) X 520.0 (D)
 SET DIM : 483.0 (W) X 242.5 (H) X 522.5 (624.0) (D)
 (including projection)



※

Christie P/N	LENS	A (TELE)	B (WIDE)	C (DIAMETER TIP)
103-120104-01	LNS-S50	101.5 (Fixed)	130.0	130.0
103-121105-01	LNS-T50	133.0 (Fixed)	137.0	137.0
103-122106-01	LNS-T51	152.5 (Fixed)	137.0	137.0
103-119102-01	LNS-W50	121.5 (Fixed)	130.0	130.0
103-118101-01	LNS-W51	138.2 (Fixed)	164.5	164.5
103-117100-01	LNS-W52	121.5 (Fixed)	130.0	130.0

CHRISTIE® 809 WELLINGTON STREET NORTH
 KITCHENER, ONTARIO, CANADA
 N2G 4Y7

PART DESCRIPTION			
DWG Line DHD700-DHD800-DS+750			
SIZE	PART NUMBER	REVISION	
B	020-000116-02	01	
SCALE	MASS	SHEET 1 OF 1	
1:1	LBS[KG]		
PROPRIETARY		NOT TO BE DISCLOSED OR REPRODUCED IN ANY MANNER WITHOUT THE EXPRESS WRITTEN PERMISSION OF CHRISTIE	